

Specifications Sheet

Click a model name to see the specifications, outside view, and other information of the model.



S1701 (P.1-P.5)



S1721 (P.6-P.10)



S1731 (P.11-P.15)



S1901 (P.16-P.20)



S1911 (P.21-P.25)



S1921 (P.26-P.30)



S1931 (P.31-P.35)



Specifications (S1701)

LCD Panel	17-inch (43 cm) TFT color LCD with anti-glare hard coating Viewing angle: Vertical 160°, Horizontal 160° (CR: 10 or more)	
Dot Pitch	0.264 mm	
Horizontal Scan Frequency	Analog: 24.8 - 80 kHz Digital: 31 - 64 kHz	
Vertical Scan Frequency	Analog: 50 - 75 Hz (Non-interlace) Digital: 59 - 61 Hz (Non-interlace) (VGA TEXT: 69 - 71 Hz)	
Resolution	1280 dots × 1024 lines	
Max. Dot Clock	Analog: 135 MHz Digital: 108 MHz	
Max. Display Colors	16.77 million colors	
Display Area (H × V)	337.9 mm (13.30 inch) × 270.3 mm (10.64 inch)	
Power Supply	100 - 120 VAC ±10% 50/60 Hz, 0.65 A 200 - 240 VAC ±10% 50 Hz, 0.4 A	
Power Consumption	*1Maximum (usually): 35W (speaker not working) / 38W (speaker working) *2Maximum (usually): 35W Power saving mode: 1 W or less (for single signal input with no line input connector connected)	
Input Signal Connectors	DVI-D connector, D-sub mini 15-pin connector	
Analog Input Signal (Sync)	H/V Separate, TTL, positive/negative	
Analog Input Signal (Video)	Analog, positive (0.7 Vp-p/75 Ω)	
Digital Signal Transmission System	TMDS (Single Link)	
Video Signal Memory	Analog signal: 26 (preset: 21)	
Audio output*1	Speaker output: 0.3W + 0.3W (16Ω, THD: 10% or less) Headphone output: 2mW + 2mW	
Plug & Play	VESA DDC 2B/EDID structure 1.3	
Dimensions (including stand) (Width) × (Height) × (Depth) mm (inch)	Tilt stand : 363(14.3) × 382(15) × 188(7.4) Height adjustable stand : 363(14.3) × 389.5(15.3) - 489.5(19.3) × 205(8.1) ArcSwing 2 stand : 363(14.3) × 280(11) - 406.5(16) × 200(7.9) EZ-UP stand: 363mm(14.3) × 320-490mm(12.6-19.3) × 246.8-274.8mm(9.7-10.8)	
Movable range	Tilt	Tilt stand : -5° - 30° Height adjustable stand : 0° - 35° ArcSwing 2 stand : -5° - 60° EZ-UP stand : 0° - 25°
	Swivel	Tilt stand : - Height adjustable stand : 172° ArcSwing 2 stand : 172° EZ-UP stand : 172°
	Adjustable height	Tilt stand : - Height adjustable stand : 100 mm ArcSwing 2 stand : 104 mm EZ-UP stand : 170 mm
	Rotation	Tilt stand : - Height adjustable stand : 90° ArcSwing 2 stand : - EZ-UP stand : -10° - 92°

*1 Model for built-in speaker

*2 Model for no mount speaker

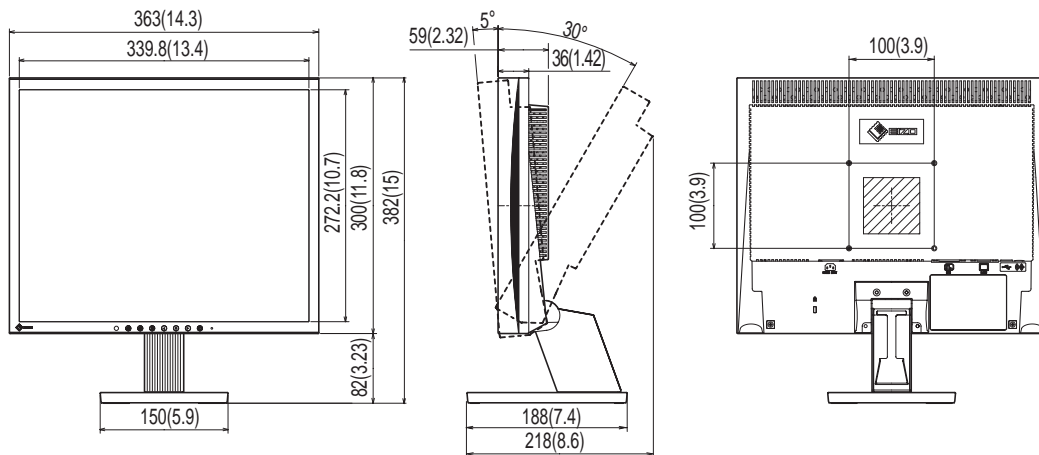
Dimensions (main unit) (Width) x (Height) x (Depth) mm (inch)	363(14.3) x 300(11.8) x 59(2.32)
Mass (including stand)	Tilt stand : 4.7 kg (10.4 lbs.) Height adjustable stand : 5.9 kg (13.0 lbs.) ArcSwing 2 stand : 5.7 kg (12.6 lbs.) EZ-UP stand : 7.5 kg (16.5 lbs.)
Mass (Main unit)	3.9 kg (8.6 lb)
Environmental Conditions	Operating temperature: 0 °C - 35 °C (32 °F - 95 °F) Storage temperature: -20 °C - 60 °C (-4 °F - 140 °F) Relative humidity: 30% - 80% (no condensation)

Main default settings (factory settings)

BrightRegulator	Disabled
FineContrast Mode	Custom
Off Timer	Disabled
Language	English

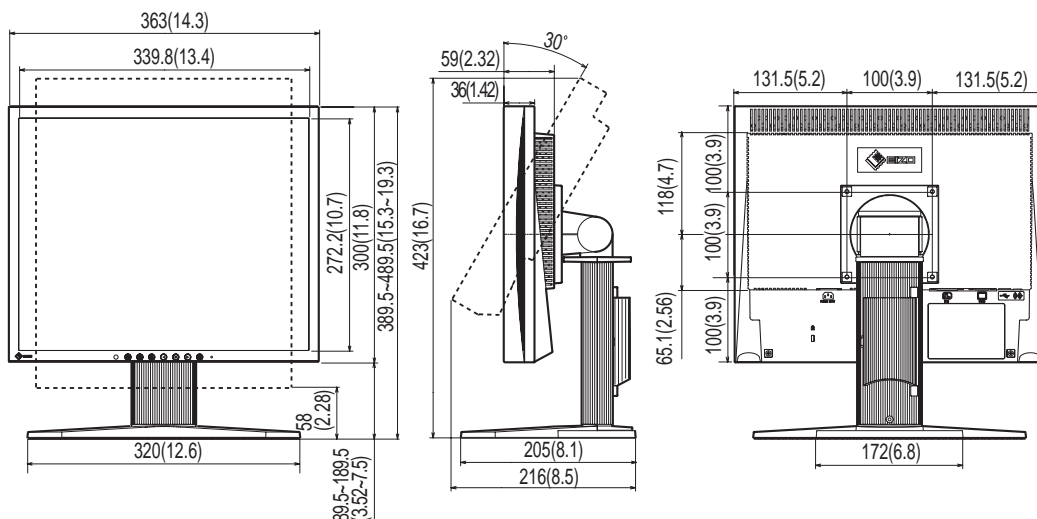
Outside Dimensions (Tilt stand)

unit : mm (inch)



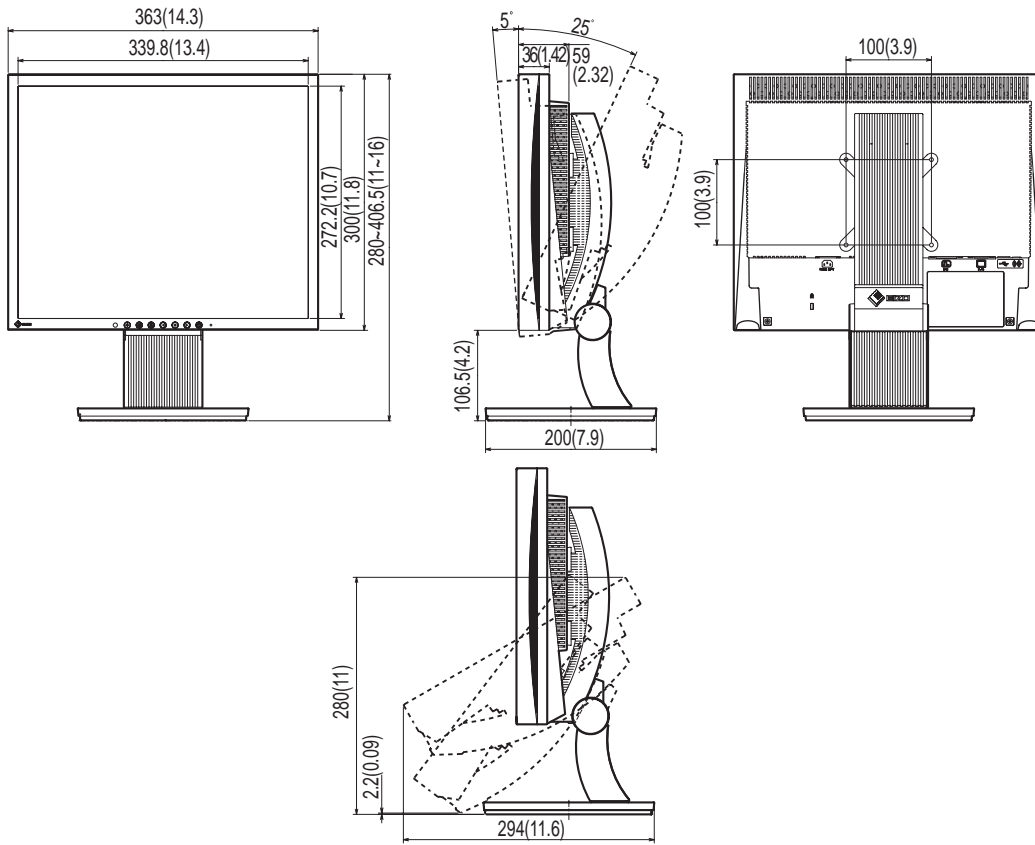
Outside Dimensions (Height adjustable stand)

unit : mm (inch)



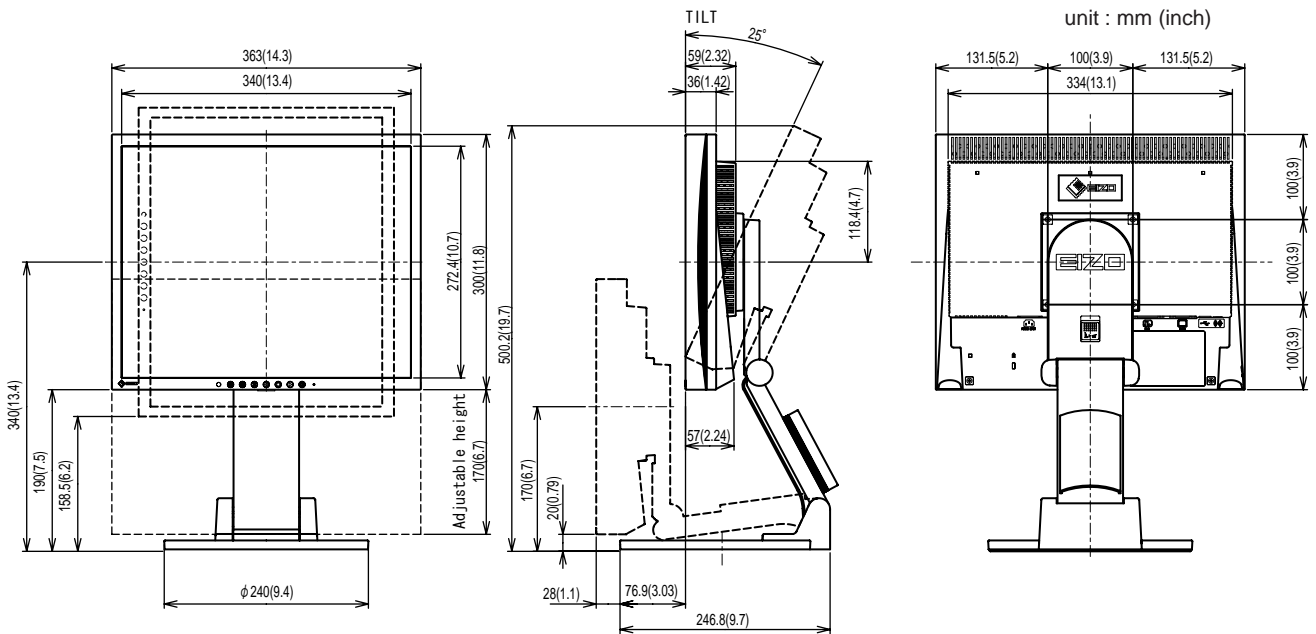
Outside Dimensions (ArcSwing 2 stand)

unit : mm (inch)



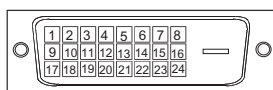
Outside Dimensions (EZ-UP stand)

unit : mm (inch)



Connector Pin Assignment

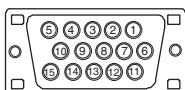
- DVI-D connector



Pin No.	Signal	Pin No.	Signal	Pin No.	Signal
1	TMDS Data 2-	9	TMDS Data1-	17	TMDS Data0-
2	TMDS Data 2+	10	TMDS Data1+	18	TMDS Data0+
3	TMDS Data2/4 Shield	11	TMDS Data1/3 Shield	19	TMDS Data0/5 Shield
4	NC*	12	NC*	20	NC*
5	NC*	13	NC*	21	NC*
6	DDC Clock (SCL)	14	+5V Power	22	TMDS Clock shield
7	DDC Data (SDA)	15	Ground (return for +5V, Hsync and Vsync)	23	TMDS Clock+
8	NC*	16	Hot Plug Detect	24	TMDS Clock-

(NC*: No Connection)

- D-sub mini 15-pin connector



Pin No.	Signal	Pin No.	Signal	Pin No.	Signal
1	Red	6	Red ground	11	Ground
2	Green	7	Green ground	12	Data (SDA)
3	Blue	8	Blue ground	13	H. Sync
4	Ground	9	NC*	14	V. Sync
5	NC*	10	Ground	15	Clock (SCL)

(NC*: No Connection)

Option List

Cleaning Kit	EIZO ScreenCleaner
--------------	--------------------

Resolutions

- For analog signal input

Resolution	Vertical Scan Frequency	Dot clock	Remarks
640 × 400	56 Hz	135 MHz (Max.)	NEC PC-9801
640 × 400	70 Hz		NEC PC-9821
640 × 480	67 Hz		Apple Macintosh
640 × 480	less than 75 Hz		VGA, VESA
720 × 400	70 Hz		VGA TEXT
800 × 600	less than 75 Hz		VESA
832 × 624	75 Hz		Apple Macintosh
1024 × 768	less than 75 Hz		VESA
1152 × 864	75 Hz		VESA
1152 × 870	75 Hz		Apple Macintosh
1280 × 960	60 Hz		VESA
1280 × 960	75 Hz		Apple Macintosh
*1280 × 1024	less than 75 Hz		VESA

- For digital signal input

Resolution	Vertical Scan Frequency	Dot clock	Remarks
640 × 480	60 Hz	108 MHz (Max.)	VGA
720 × 400	70 Hz		VGA TEXT
720 × 480	60 Hz		VESA Safe Mode
800 × 600	60 Hz		VESA
1024 × 768	60 Hz		VESA
*1280 × 1024	60 Hz		VESA

* Recommended resolution (Use this resolution.)

[Return to Cover page](#)

Specifications (S1721)

LCD Panel	17-inch (43 cm) TFT color LCD with anti-glare hard coating Viewing angle: Vertical 178°, Horizontal 178° (CR: 10 or more)		
Dot Pitch	0.264 mm		
Horizontal Scan Frequency	Analog: 24.8 - 80 kHz (Automatic) Digital: 31 - 64 kHz		
Vertical Scan Frequency	Analog: 50 - 75 Hz (Automatic) Digital: 59 - 61 Hz (VGA TEXT: 69 - 71 Hz)		
Resolution	1280 dots × 1024 lines		
Max. Dot Clock	Analog: 135 MHz Digital: 108 MHz		
Max. Display Colors	16.77 million colors		
Display Area (H × V)	337.9 mm (13.30 inch) × 270.3 mm (10.64 inch)		
Power Supply	100 - 120 VAC ±10% 50/60 Hz, 0.65 A 200 - 240 VAC ±10% 50 Hz, 0.4 A		
Power Consumption	*1Maximum (usually): 35W (speaker not working) / 38W (speaker working) *2Maximum (usually): 35W Power saving mode: 1 W or less (for single signal input with no line input connector connected)		
Input Signal Connectors	DVI-D connector, D-sub mini 15-pin connector		
Analog Input Signal (Sync)	H/V Separate, TTL, positive/negative		
Analog Input Signal (Video)	Analog, positive (0.7 Vp-p/75 Ω)		
Digital Signal Transmission System	TMDS (Single Link)		
Video Signal Memory	Analog signal: 26 (preset: 21)		
Audio output*1	Speaker output: 0.3W + 0.3W (16Ω, THD: 10% or less) Headphone output: 2mW + 2mW		
Plug & Play	VESA DDC 2B/EDID structure 1.3		
Dimensions (including stand) (Width) × (Height) × (Depth) mm (inch)	Tilt stand : 363(14.3) × 382(15) × 188(7.4) Height adjustable stand : 363(14.3) × 389.5(15.3) - 489.5(19.3) × 205(8.1) ArcSwing 2 stand : 363(14.3) × 280(11) - 406.5(16) × 200(7.9) EZ-UP stand: 363mm(14.3) × 320-490mm(12.6-19.3) × 246.8-274.8mm(9.7-10.8)		
Movable range	Tilt	Tilt stand : -5° - 30° Height adjustable stand : 0° - 35° ArcSwing 2 stand : -5° - 60° EZ-UP stand : 0° - 25°	
	Swivel	Tilt stand : - Height adjustable stand : 172° ArcSwing 2 stand : 172° EZ-UP stand : 172°	
	Adjustable height	Tilt stand : - Height adjustable stand : 100 mm ArcSwing 2 stand : 104 mm EZ-UP stand : 170 mm	
	Rotation	Tilt stand : - Height adjustable stand : 90° ArcSwing 2 stand : - EZ-UP stand : -10° - 92°	

*1 Model for built-in speaker

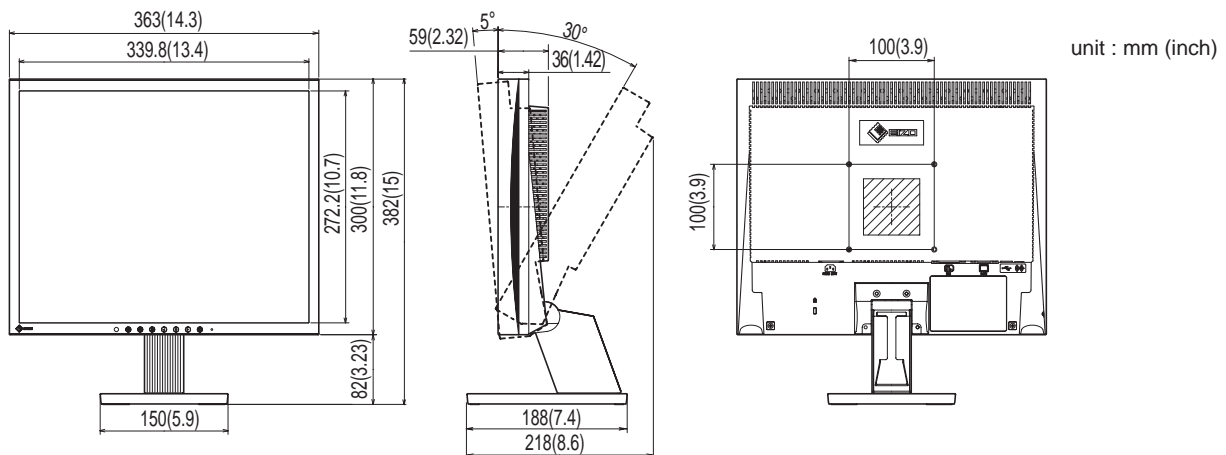
*2 Model for no mount speaker

Dimensions (main unit) (Width) × (Height) × (Depth) mm (inch)		363(14.3) × 300(11.8) × 59(2.32)
Mass (including stand)		Tilt stand : 4.7 kg (10.4 lbs.) Height adjustable stand : 5.9 kg (13.0 lbs.) ArcSwing 2 stand : 5.7 kg (12.6 lbs.) EZ-UP stand : 7.5 kg (16.5 lbs.)
Mass (Main unit)		3.9 kg (8.6 lb)
Environmental Conditions		Operating temperature: 0 °C - 35 °C (32 °F - 95 °F) Storage temperature: -20 °C - 60 °C (-4 °F - 140 °F) Relative humidity: 30% - 80% (no condensation)
USB*3	Standard	Rev. 2.0 compliant
	Port	Upstream port × 1

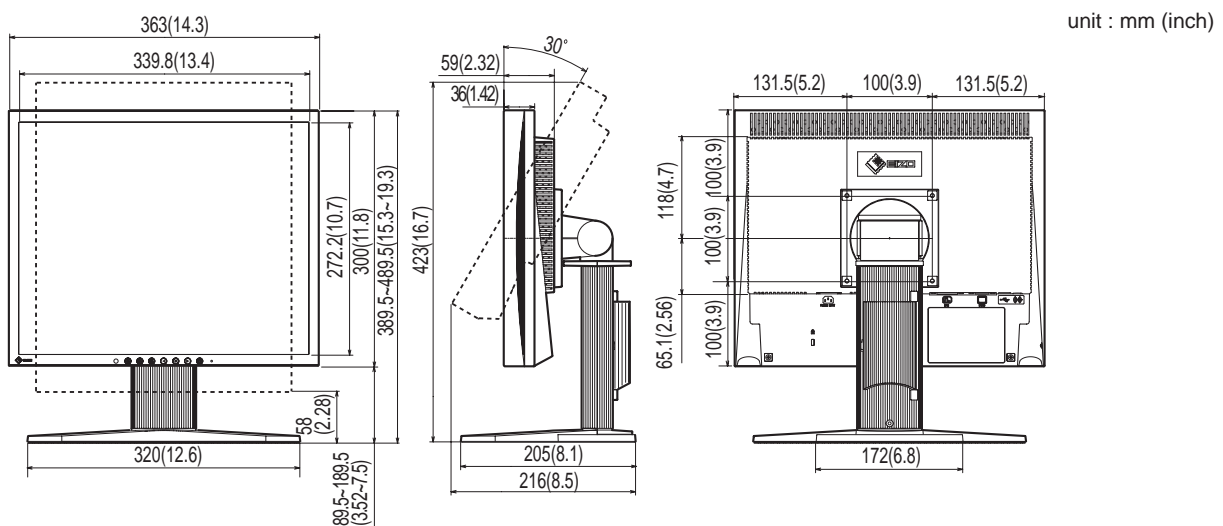
Main default settings (factory settings)

BrightRegulator	Disabled
FineContrast Mode	Custom
Off Timer	Disabled
Language	English

Outside Dimensions (Tilt stand)



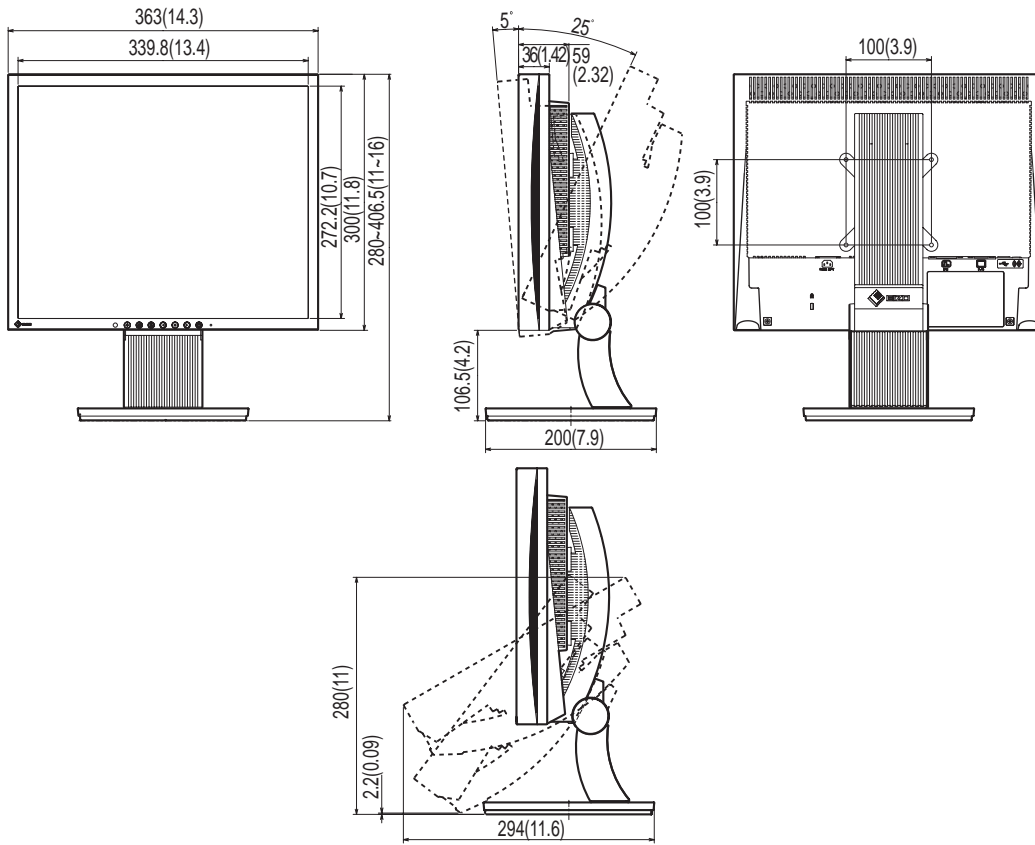
Outside Dimensions (Height adjustable stand)



*3 Model with built-in USB port

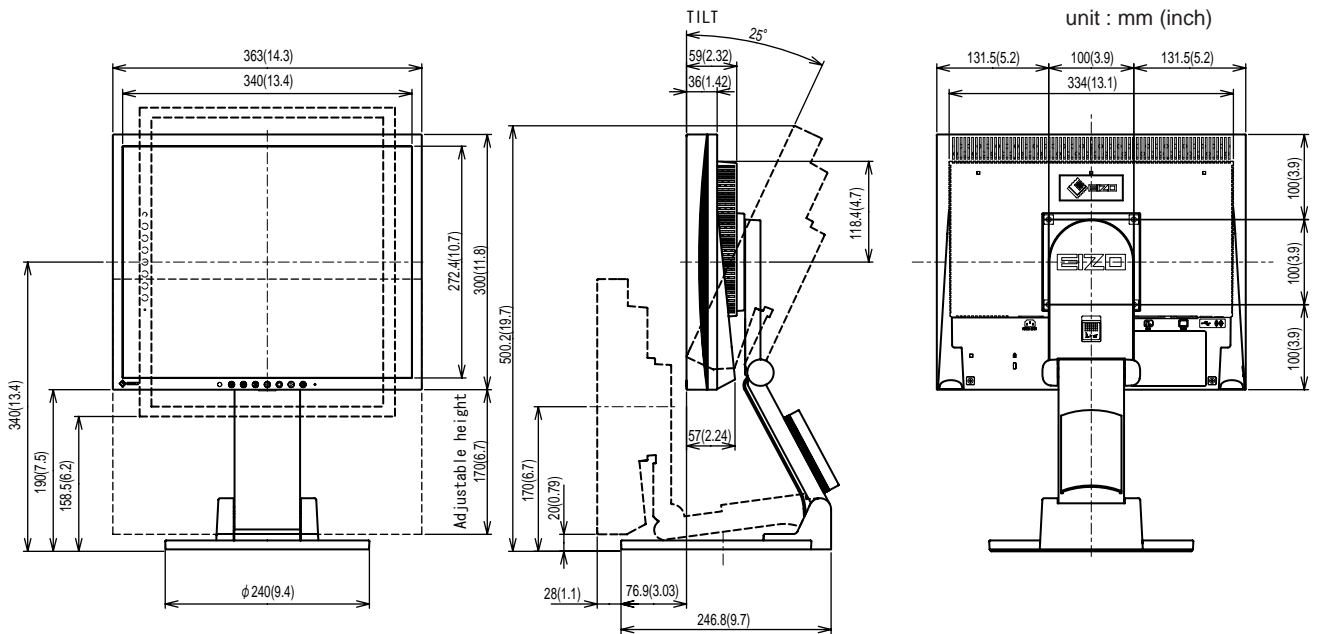
Outside Dimensions (ArcSwing 2 stand)

unit : mm (inch)



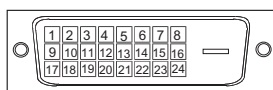
Outside Dimensions (EZ-UP stand)

unit : mm (inch)



Connector Pin Assignment

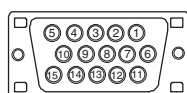
- DVI-D connector



Pin No.	Signal	Pin No.	Signal	Pin No.	Signal
1	TMDS Data 2-	9	TMDS Data1-	17	TMDS Data0-
2	TMDS Data 2+	10	TMDS Data1+	18	TMDS Data0+
3	TMDS Data2/4 Shield	11	TMDS Data1/3 Shield	19	TMDS Data0/5 Shield
4	NC*	12	NC*	20	NC*
5	NC*	13	NC*	21	NC*
6	DDC Clock (SCL)	14	+5V Power	22	TMDS Clock shield
7	DDC Data (SDA)	15	Ground (return for +5V, Hsync and Vsync)	23	TMDS Clock+
8	NC*	16	Hot Plug Detect	24	TMDS Clock-

(NC*: No Connection)

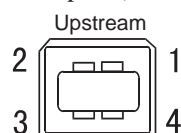
- D-sub mini 15-pin connector



Pin No.	Signal	Pin No.	Signal	Pin No.	Signal
1	Red	6	Red ground	11	Ground
2	Green	7	Green ground	12	Data (SDA)
3	Blue	8	Blue ground	13	H. Sync
4	Ground	9	NC*	14	V. Sync
5	NC*	10	Ground	15	Clock (SCL)

(NC*: No Connection)

- USB port (Model with built-in USB port)



Contact No.	Signal	Remarks
1	VCC	Cable power
2	- Data	Serial data
3	+ Data	Serial data
4	Ground	Cable ground

Option List

Cleaning Kit	EIZO ScreenCleaner
--------------	--------------------

Resolutions

- For analog signal input

Resolution	Vertical Scan Frequency	Dot clock	Remarks
640 × 400	56 Hz	135 MHz (Max.)	NEC PC-9801
640 × 400	70 Hz		NEC PC-9821
640 × 480	67 Hz		Apple Macintosh
640 × 480	less than 75 Hz		VGA, VESA
720 × 400	70 Hz		VGA TEXT
800 × 600	less than 75 Hz		VESA
832 × 624	75 Hz		Apple Macintosh
1024 × 768	less than 75 Hz		VESA
1152 × 864	75 Hz		VESA
1152 × 870	75 Hz		Apple Macintosh
1280 × 960	60 Hz		VESA
1280 × 960	75 Hz		Apple Macintosh
*1280 × 1024	less than 75 Hz		VESA

- For digital signal input

Resolution	Vertical Scan Frequency	Dot clock	Remarks
640 × 480	60 Hz	108 MHz (Max.)	VGA
720 × 400	70 Hz		VGA TEXT
720 × 480	60 Hz		VESA Safe Mode
800 × 600	60 Hz		VESA
1024 × 768	60 Hz		VESA
*1280 × 1024	60 Hz		VESA

* Recommended resolution (Use this resolution.)

[Return to Cover page](#)

Specifications (S1731)

LCD Panel		17-inch (43 cm) TFT color LCD with anti-glare hard coating Viewing angle: Vertical 178°, Horizontal 178° (CR: 10 or more)	
Dot Pitch		0.264 mm	
Horizontal Scan Frequency		Analog: 24.8 - 80 kHz (Automatic) Digital: 31 - 64 kHz	
Vertical Scan Frequency		Analog: 50 - 75 Hz (Automatic) Digital: 59 - 61 Hz (VGA TEXT: 69 - 71 Hz)	
Resolution		1280 dots × 1024 lines	
Max. Dot Clock		Analog: 135 MHz Digital: 108 MHz	
Max. Display Colors		16.77 million colors	
Display Area (H × V)		337.9 mm (13.30 inch) × 270.3 mm (10.64 inch)	
Power Supply		100 - 120 VAC ±10% 50/60 Hz, 0.7 A 200 - 240 VAC ±10% 50 Hz, 0.4 A	
Power Consumption		*1Maximum (usually): 39W (speaker not working) / 42W (speaker working) *2Maximum (usually): 39W Power saving mode: 1 W or less (for single signal input with no USB device or line input connector connected)	
Input Signal Connectors		DVI-D connector, D-sub mini 15-pin connector	
Analog Input Signal (Sync)		H/V Separate, TTL, positive/negative	
Analog Input Signal (Video)		Analog, positive (0.7 Vp-p/75 Ω)	
Digital Signal Transmission System		TMDS (Single Link)	
Video Signal Memory		Analog signal: 26 (preset: 21)	
Audio output*1		Speaker output: 0.3W + 0.3W (16Ω, THD: 10% or less) Headphone output: 2mW + 2mW	
Plug & Play		VESA DDC 2B/EDID structure 1.3	
Dimensions (including stand) (Width) × (Height) × (Depth) mm (inch)		Tilt stand : 363(14.3) × 382(15) × 188(7.4) Height adjustable stand : 363(14.3) × 389.5(15.3) - 489.5(19.3) × 205(8.1) ArcSwing 2 stand : 363(14.3) × 280(11) - 406.5(16) × 200(7.9) EZ-UP stand: 363mm(14.3) × 320-490mm(12.6-19.3) × 246.8-274.8mm(9.7-10.8)	
Movable range	Tilt	Tilt stand : -5° - 30° Height adjustable stand : 0° - 35° ArcSwing 2 stand : -5° - 60° EZ-UP stand : 0° - 25°	
	Swivel	Tilt stand : - Height adjustable stand : 172° ArcSwing 2 stand : 172° EZ-UP stand : 172°	
	Adjustable height	Tilt stand : - Height adjustable stand : 100 mm ArcSwing 2 stand : 104 mm EZ-UP stand : 170 mm	
	Rotation	Tilt stand : - Height adjustable stand : 90° ArcSwing 2 stand : - EZ-UP stand : -10° - 92°	

*1 Model for built-in speaker

*2 Model for no mount speaker

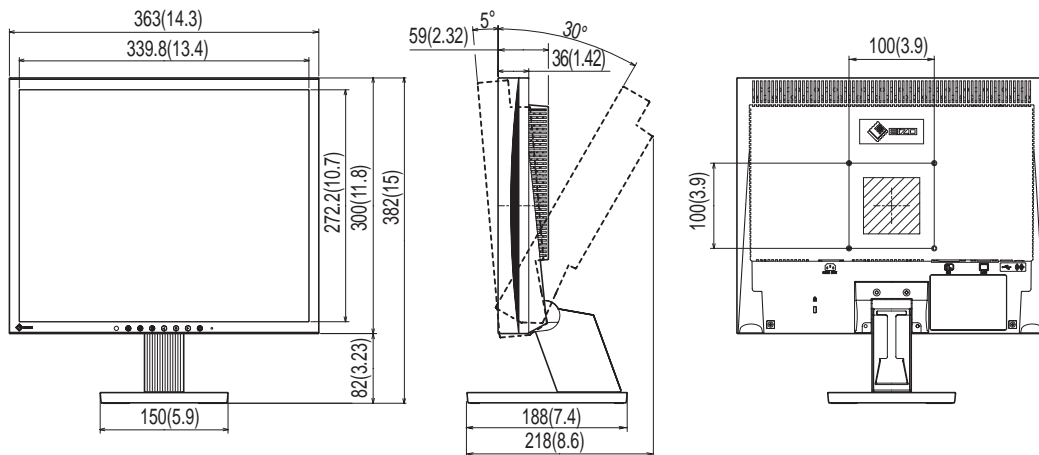
Dimensions (main unit) (Width) × (Height) × (Depth) mm (inch)		363(14.3) × 300(11.8) × 59(2.32)
Mass (including stand)		Tilt stand : 4.7 kg (10.4 lbs.) Height adjustable stand : 5.9 kg (13.0 lbs.) ArcSwing 2 stand : 5.7 kg (12.6 lbs.) EZ-UP stand : 7.5 kg (16.5 lbs.)
Mass (Main unit)		3.9 kg (8.6 lb)
Environmental Conditions		Operating temperature: 0 °C - 35 °C (32 °F - 95 °F) Storage temperature: -20 °C - 60 °C (-4 °F - 140 °F) Relative humidity: 30% - 80% (no condensation)
USB*3	Standard	Rev. 2.0 compliant
	Port	Upstream port × 1

Main default settings (factory settings)

BrightRegulator	Disabled
FineContrast Mode	Custom
Off Timer	Disabled
Language	English

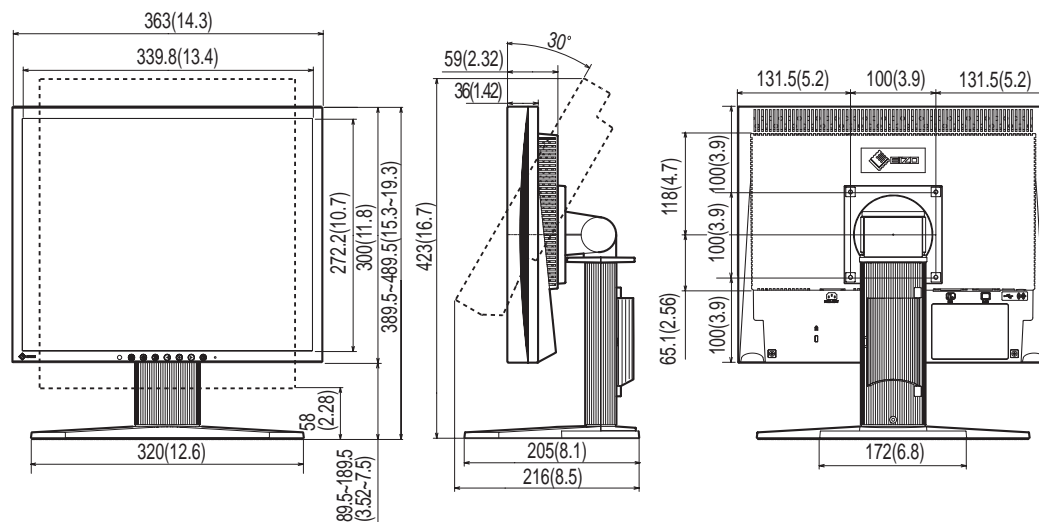
Outside Dimensions (Tilt stand)

unit : mm (inch)



Outside Dimensions (Height adjustable stand)

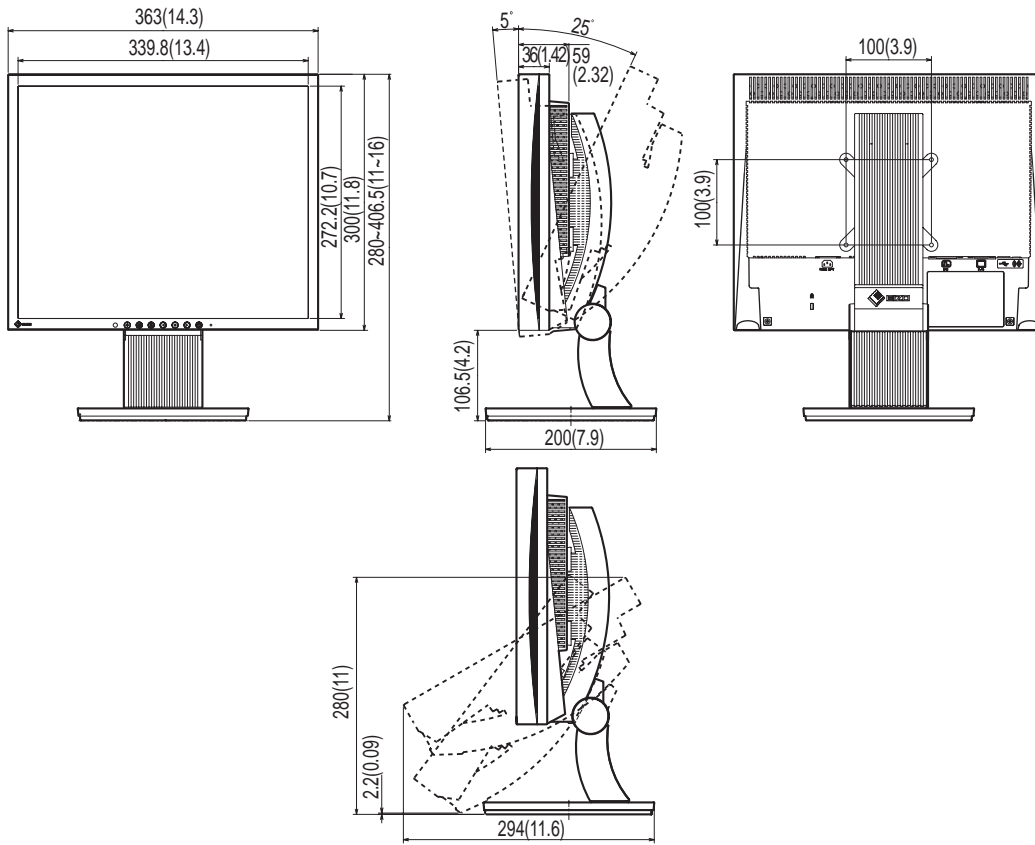
unit : mm (inch)



*3 Model with built-in USB port

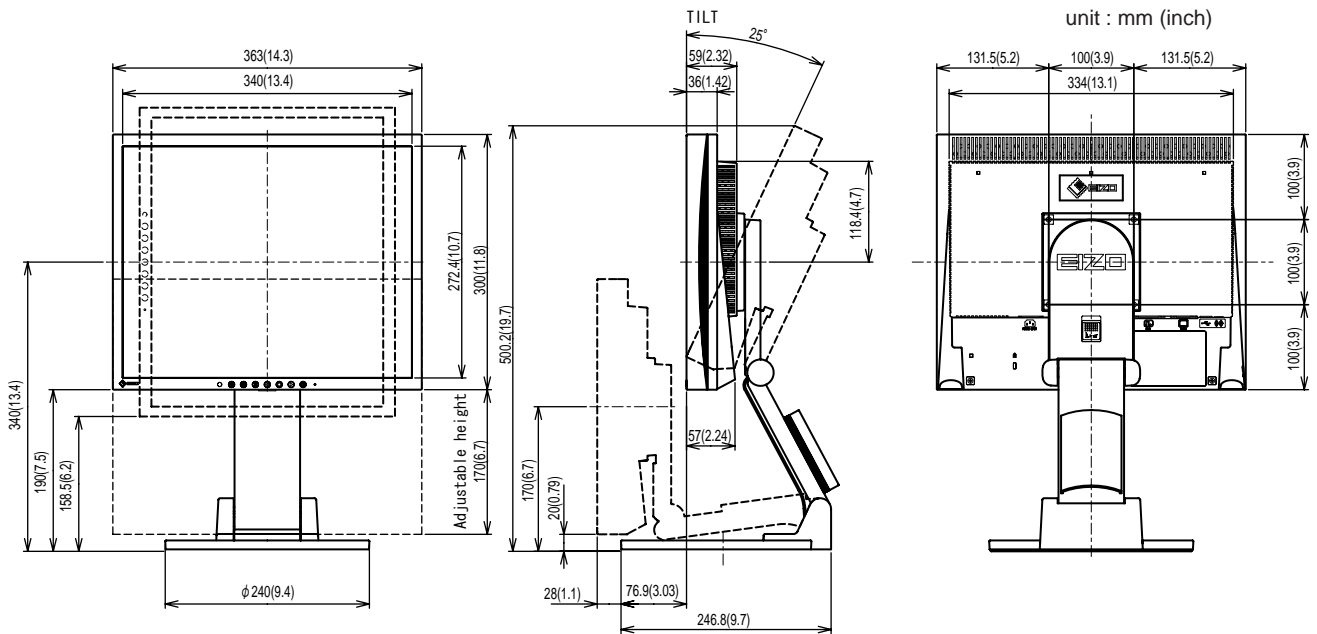
Outside Dimensions (ArcSwing 2 stand)

unit : mm (inch)



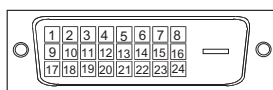
Outside Dimensions (EZ-UP stand)

unit : mm (inch)



Connector Pin Assignment

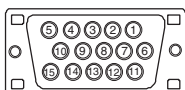
- DVI-D connector



Pin No.	Signal	Pin No.	Signal	Pin No.	Signal
1	TMDS Data 2-	9	TMDS Data1-	17	TMDS Data0-
2	TMDS Data 2+	10	TMDS Data1+	18	TMDS Data0+
3	TMDS Data2/4 Shield	11	TMDS Data1/3 Shield	19	TMDS Data0/5 Shield
4	NC*	12	NC*	20	NC*
5	NC*	13	NC*	21	NC*
6	DDC Clock (SCL)	14	+5V Power	22	TMDS Clock shield
7	DDC Data (SDA)	15	Ground (return for +5V, Hsync and Vsync)	23	TMDS Clock+
8	NC*	16	Hot Plug Detect	24	TMDS Clock-

(NC*: No Connection)

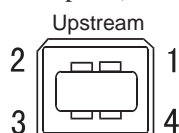
- D-sub mini 15-pin connector



Pin No.	Signal	Pin No.	Signal	Pin No.	Signal
1	Red	6	Red ground	11	Ground
2	Green	7	Green ground	12	Data (SDA)
3	Blue	8	Blue ground	13	H. Sync
4	Ground	9	NC*	14	V. Sync
5	NC*	10	Ground	15	Clock (SCL)

(NC*: No Connection)

- USB port (Model with built-in USB port)



Contact No.	Signal	Remarks
1	VCC	Cable power
2	- Data	Serial data
3	+ Data	Serial data
4	Ground	Cable ground

Option List

Cleaning Kit	EIZO ScreenCleaner
--------------	--------------------

Resolutions

- For analog signal input

Resolution	Vertical Scan Frequency	Dot clock	Remarks
640 × 400	56 Hz	135 MHz (Max.)	NEC PC-9801
640 × 400	70 Hz		NEC PC-9821
640 × 480	67 Hz		Apple Macintosh
640 × 480	less than 75 Hz		VGA, VESA
720 × 400	70 Hz		VGA TEXT
800 × 600	less than 75 Hz		VESA
832 × 624	75 Hz		Apple Macintosh
1024 × 768	less than 75 Hz		VESA
1152 × 864	75 Hz		VESA
1152 × 870	75 Hz		Apple Macintosh
1280 × 960	60 Hz		VESA
1280 × 960	75 Hz		Apple Macintosh
*1280 × 1024	less than 75 Hz		VESA

- For digital signal input

Resolution	Vertical Scan Frequency	Dot clock	Remarks
640 × 480	60 Hz	108 MHz (Max.)	VGA
720 × 400	70 Hz		VGA TEXT
720 × 480	60 Hz		VESA Safe Mode
800 × 600	60 Hz		VESA
1024 × 768	60 Hz		VESA
*1280 × 1024	60 Hz		VESA

* Recommended resolution (Use this resolution.)

[Return to Cover page](#)

Specifications (S1901)

LCD Panel	19-inch (48 cm) TFT color LCD with anti-glare hard coating Viewing angle: Vertical 160°, Horizontal 160° (CR: 10 or more)	
Dot Pitch	0.294 mm	
Horizontal Scan Frequency	Analog: 24.8 - 80 kHz Digital: 31 - 64 kHz	
Vertical Scan Frequency	Analog: 50 - 75 Hz (Non-interlace) Digital: 59 - 61 Hz (Non-interlace) (VGA TEXT: 69 - 71 Hz)	
Resolution	1280 dots × 1024 lines	
Max. Dot Clock	Analog: 135 MHz Digital: 108 MHz	
Max. Display Colors	16.20 million colors	
Display Area (H × V)	376.3 mm (14.81 inch) × 301.0 mm (11.85 inch)	
Power Supply	100 - 120 VAC ±10% 50/60 Hz, 0.8 A 200 - 240 VAC ±10% 50 Hz, 0.45 A	
Power Consumption	*1Maximum (usually): 42W (speaker not working) / 45W (speaker working) *2Maximum (usually): 42W Power saving mode: 1 W or less (for single signal input with no line input connector connected)	
Input Signal Connectors	DVI-D connector, D-sub mini 15-pin connector	
Analog Input Signal (Sync)	H/V Separate, TTL, positive/negative	
Analog Input Signal (Video)	Analog, positive (0.7 Vp-p/75 Ω)	
Digital Signal Transmission System	TMDS (Single Link)	
Video Signal Memory	Analog signal: 26 (preset: 21)	
Audio output*1	Speaker output: 0.3W + 0.3W (16Ω, THD: 10% or less) Headphone output: 2mW + 2mW	
Plug & Play	VESA DDC 2B/EDID structure 1.3	
Dimensions (including stand) (Width) × (Height) × (Depth) mm (inch)	Tilt stand : 405(15.9) × 416(16.4) × 205(8.1) Height adjustable stand : 405(15.9) × 406.5(16) - 506.5(19.9) × 205(8.1) ArcSwing 2 stand : 405(15.9) × 288(11.39) - 423.5(16.69) × 200(7.9) EZ-UP stand: 405mm(15.9) × 347.7-507mm(13.7-20.0) × 246.8-277.6mm(9.7-10.9)	
Movable range	Tilt	Tilt stand : -5° - 30° Height adjustable stand : 0° - 35° ArcSwing 2 stand : -5° - 60° EZ-UP stand : 0° - 25°
	Swivel	Tilt stand : - Height adjustable stand : 172° ArcSwing 2 stand : 172° EZ-UP stand : 172°
	Adjustable height	Tilt stand : - Height adjustable stand : 100 mm ArcSwing 2 stand : 104 mm EZ-UP stand : 154 mm (Tilt : 0°)
	Rotation	Tilt stand : - Height adjustable stand : 90° ArcSwing 2 stand : - EZ-UP stand : -10° - 92°

*1 Model for built-in speaker

*2 Model for no mount speaker

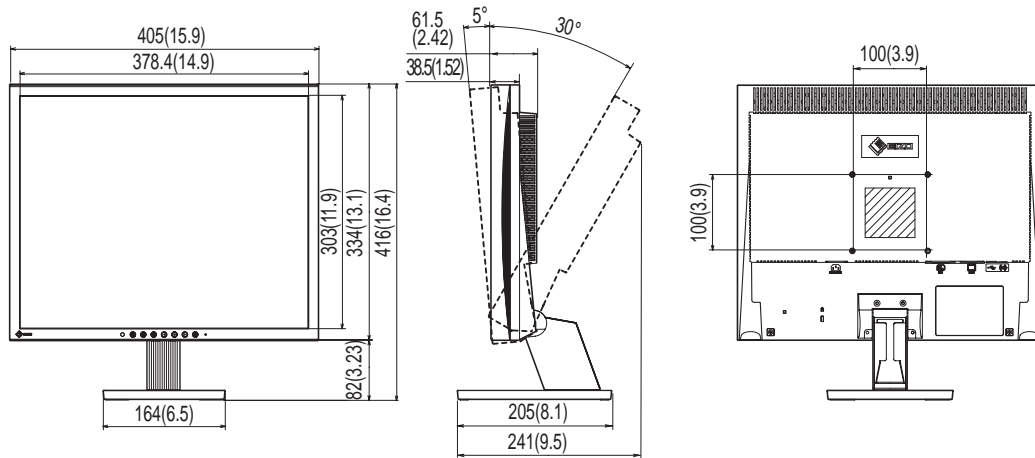
Dimensions (main unit) (Width) × (Height) × (Depth) mm (inch)	405(15.9) × 334(13.1) × 61.5(2.42)
Mass (including stand)	Tilt stand : 6.0 kg (13.2 lbs.) Height adjustable stand : 7.2 kg (15.9 lbs.) ArcSwing 2 stand : 7.0 kg (15.4 lbs.) EZ-UP stand : 8.8 kg (19.4 lbs.)
Mass (Main unit)	5.2 kg (11.5 lb)
Environmental Conditions	Operating temperature: 0 °C - 35 °C (32 °F - 95 °F) Storage temperature: -20 °C - 60 °C (-4 °F - 140 °F) Relative humidity: 30% - 80% (no condensation)

Main default settings (factory settings)

BrightRegulator	Disabled
FineContrast Mode	Custom
Off Timer	Disabled
Language	English

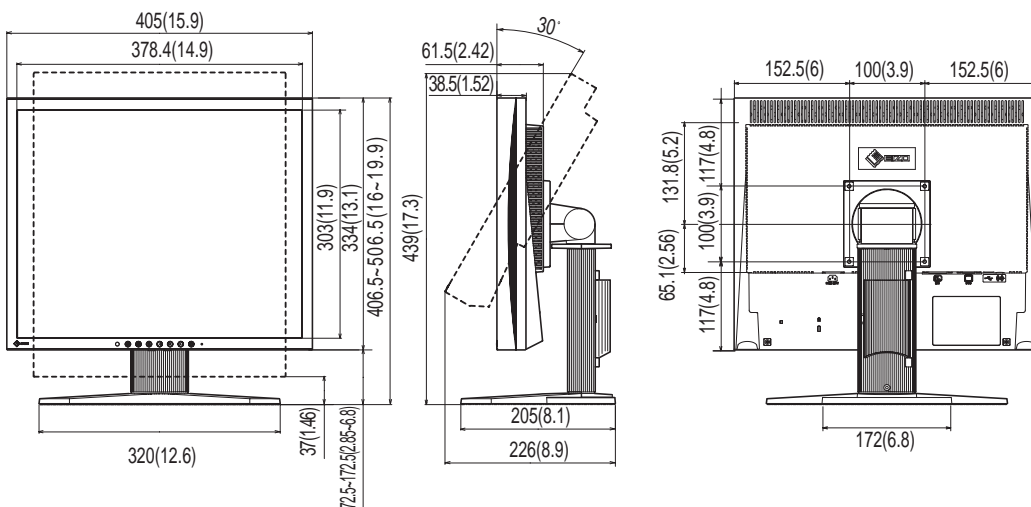
Outside Dimensions (Tilt stand)

unit : mm (inch)



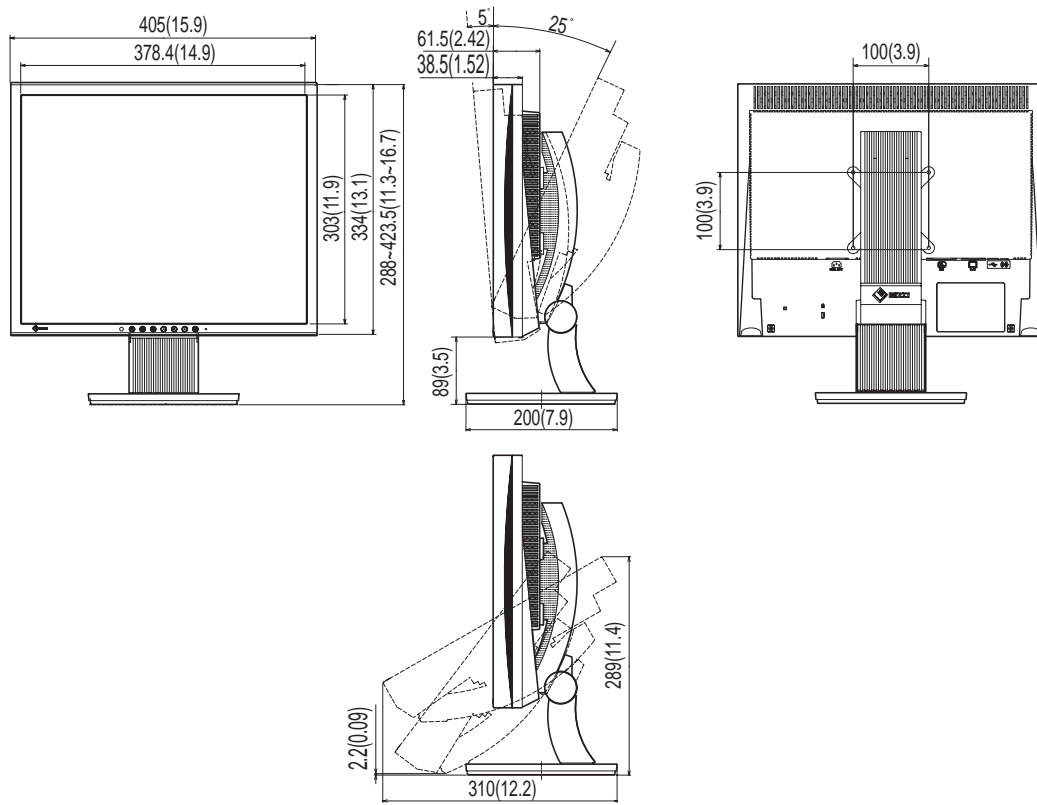
Outside Dimensions (Height adjustable stand)

unit : mm (inch)



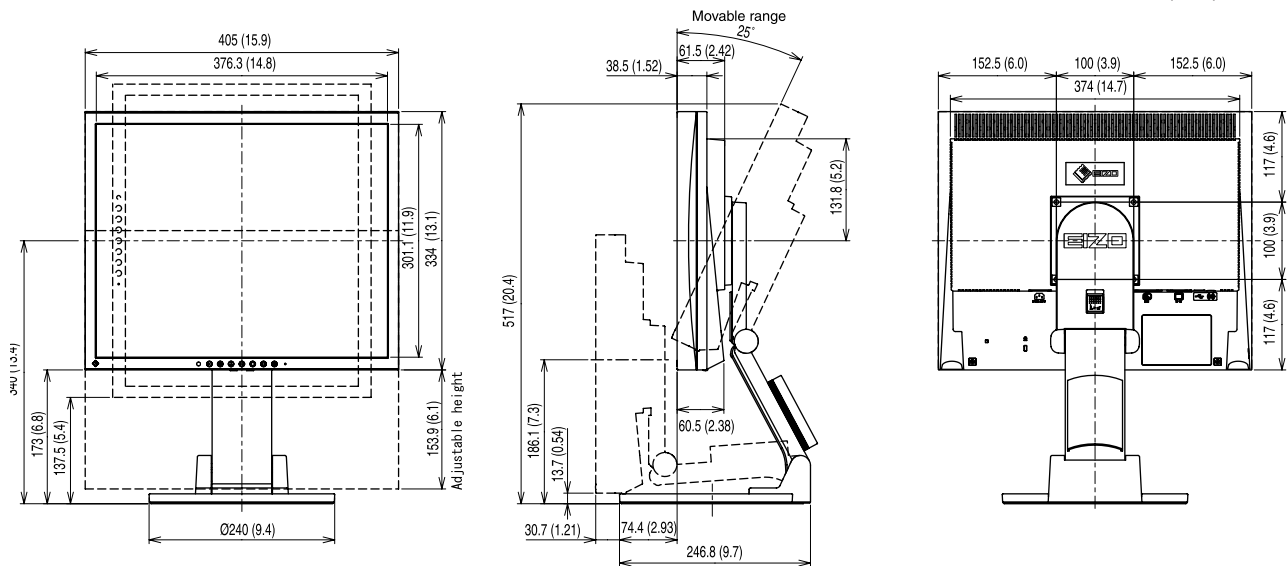
Outside Dimensions (ArcSwing 2 stand)

unit : mm (inch)



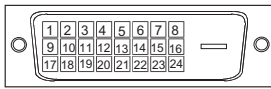
Outside Dimensions (EZ-UP stand)

unit : mm (inch)



Connector Pin Assignment

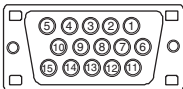
- DVI-D connector



Pin No.	Signal	Pin No.	Signal	Pin No.	Signal
1	TMDS Data 2-	9	TMDS Data1-	17	TMDS Data0-
2	TMDS Data 2+	10	TMDS Data1+	18	TMDS Data0+
3	TMDS Data2/4 Shield	11	TMDS Data1/3 Shield	19	TMDS Data0/5 Shield
4	NC*	12	NC*	20	NC*
5	NC*	13	NC*	21	NC*
6	DDC Clock (SCL)	14	+5V Power	22	TMDS Clock shield
7	DDC Data (SDA)	15	Ground (return for +5V, Hsync and Vsync)	23	TMDS Clock+
8	NC*	16	Hot Plug Detect	24	TMDS Clock-

(NC*: No Connection)

- D-sub mini 15-pin connector



Pin No.	Signal	Pin No.	Signal	Pin No.	Signal
1	Red	6	Red ground	11	Ground
2	Green	7	Green ground	12	Data (SDA)
3	Blue	8	Blue ground	13	H. Sync
4	Ground	9	NC*	14	V. Sync
5	NC*	10	Ground	15	Clock (SCL)

(NC*: No Connection)

Option List

Cleaning Kit	EIZO ScreenCleaner
--------------	--------------------

Resolutions

- For analog signal input

Resolution	Vertical Scan Frequency	Dot clock	Remarks
640 × 400	56 Hz	135 MHz (Max.)	NEC PC-9801
640 × 400	70 Hz		NEC PC-9821
640 × 480	67 Hz		Apple Macintosh
640 × 480	less than 75 Hz		VGA, VESA
720 × 400	70 Hz		VGA TEXT
800 × 600	less than 75 Hz		VESA
832 × 624	75 Hz		Apple Macintosh
1024 × 768	less than 75 Hz		VESA
1152 × 864	75 Hz		VESA
1152 × 870	75 Hz		Apple Macintosh
1280 × 960	60 Hz		VESA
1280 × 960	75 Hz		Apple Macintosh
*1280 × 1024	less than 75 Hz		VESA

- For digital signal input

Resolution	Vertical Scan Frequency	Dot clock	Remarks
640 × 480	60 Hz	108 MHz (Max.)	VGA
720 × 400	70 Hz		VGA TEXT
720 × 480	60 Hz		VESA Safe Mode
800 × 600	60 Hz		VESA
1024 × 768	60 Hz		VESA
*1280 × 1024	60 Hz		VESA

* Recommended resolution (Use this resolution.)

[Return to Cover page](#)

Specifications (S1911)

LCD Panel	19-inch (48 cm) TFT color LCD with anti-glare hard coating Viewing angle: Vertical 160°, Horizontal 160° (CR: 10 or more)	
Dot Pitch	0.294 mm	
Horizontal Scan Frequency	Analog: 24.8 - 80 kHz Digital: 31 - 64 kHz	
Vertical Scan Frequency	Analog: 50 - 75 Hz (Non-interlace) Digital: 59 - 61 Hz (Non-interlace) (VGA TEXT: 69 - 71 Hz)	
Resolution	1280 dots × 1024 lines	
Max. Dot Clock	Analog: 135 MHz Digital: 108 MHz	
Max. Display Colors	16.20 million colors	
Display Area (H × V)	376.3 mm (14.81 inch) × 301.0 mm (11.85 inch)	
Power Supply	100 - 120 VAC ±10% 50/60 Hz, 0.8 A 200 - 240 VAC ±10% 50 Hz, 0.45 A	
Power Consumption	*1Maximum (usually): 42W (speaker not working) / 45W (speaker working) *2Maximum (usually): 42W Power saving mode: 1 W or less (for single signal input with no line input connector connected)	
Input Signal Connectors	DVI-D connector, D-sub mini 15-pin connector	
Analog Input Signal (Sync)	H/V Separate, TTL, positive/negative	
Analog Input Signal (Video)	Analog, positive (0.7 Vp-p/75 Ω)	
Digital Signal Transmission System	TMDS (Single Link)	
Video Signal Memory	Analog signal: 26 (preset: 21)	
Audio output*1	Speaker output: 0.3W + 0.3W (16Ω, THD: 10% or less) Headphone output: 2mW + 2mW	
Plug & Play	VESA DDC 2B/EDID structure 1.3	
Dimensions (including stand) (Width) × (Height) × (Depth) mm (inch)	Tilt stand : 405(15.9) × 416(16.4) × 205(8.1) Height adjustable stand : 405(15.9) × 406.5(16) - 506.5(19.9) × 205(8.1) ArcSwing 2 stand : 405(15.9) × 288(11.39) - 423.5(16.69) × 200(7.9) EZ-UP stand: 405mm(15.9) × 347.7-507mm(13.7-20.0) × 246.8-277.6mm(9.7-10.9)	
Movable range	Tilt	Tilt stand : -5° - 30° Height adjustable stand : 0° - 35° ArcSwing 2 stand : -5° - 60° EZ-UP stand : 0° - 25°
	Swivel	Tilt stand : - Height adjustable stand : 172° ArcSwing 2 stand : 172° EZ-UP stand : 172°
	Adjustable height	Tilt stand : - Height adjustable stand : 100 mm ArcSwing 2 stand : 104 mm EZ-UP stand : 154 mm (Tilt : 0°)
	Rotation	Tilt stand : - Height adjustable stand : 90° ArcSwing 2 stand : - EZ-UP stand : -10° - 92°

*1 Model for built-in speaker

*2 Model for no mount speaker

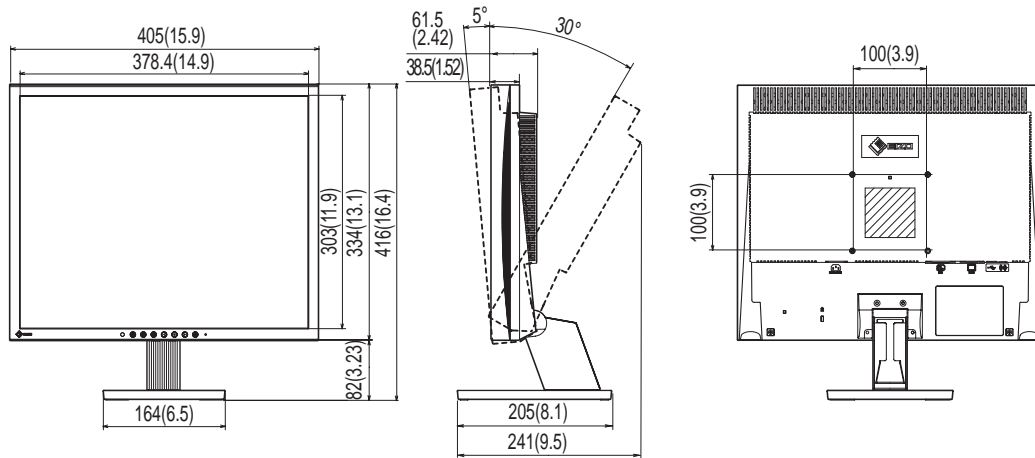
Dimensions (main unit) (Width) × (Height) × (Depth) mm (inch)	405(15.9) × 334(13.1) × 61.5(2.42)
Mass (including stand)	Tilt stand : 6.0 kg (13.2 lbs.) Height adjustable stand : 7.2 kg (15.9 lbs.) ArcSwing 2 stand : 7.0 kg (15.4 lbs.) EZ-UP stand : 8.8 kg (19.4 lbs.)
Mass (Main unit)	5.2 kg (11.5 lb)
Environmental Conditions	Operating temperature: 0 °C - 35 °C (32 °F - 95 °F) Storage temperature: -20 °C - 60 °C (-4 °F - 140 °F) Relative humidity: 30% - 80% (no condensation)

Main default settings (factory settings)

BrightRegulator	Disabled
FineContrast Mode	Custom
Off Timer	Disabled
Language	English

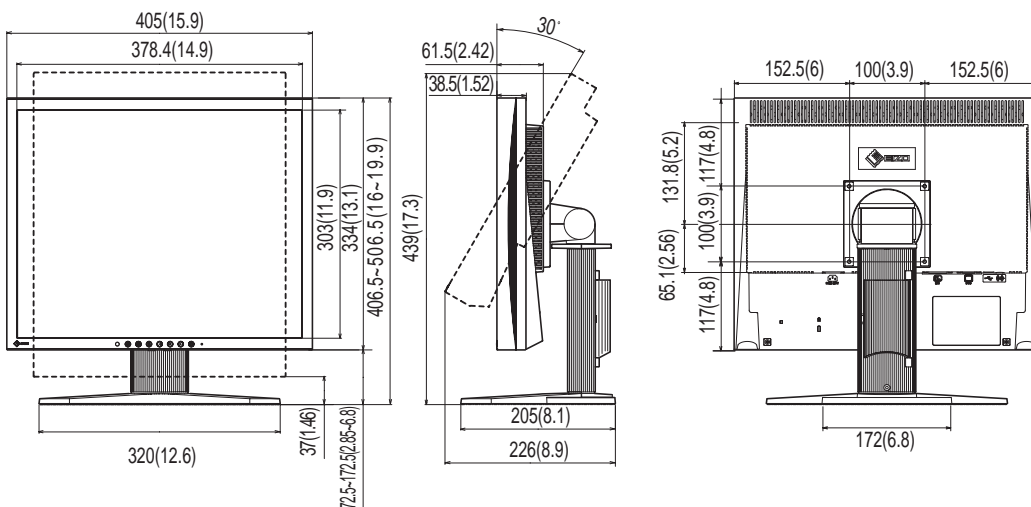
Outside Dimensions (Tilt stand)

unit : mm (inch)



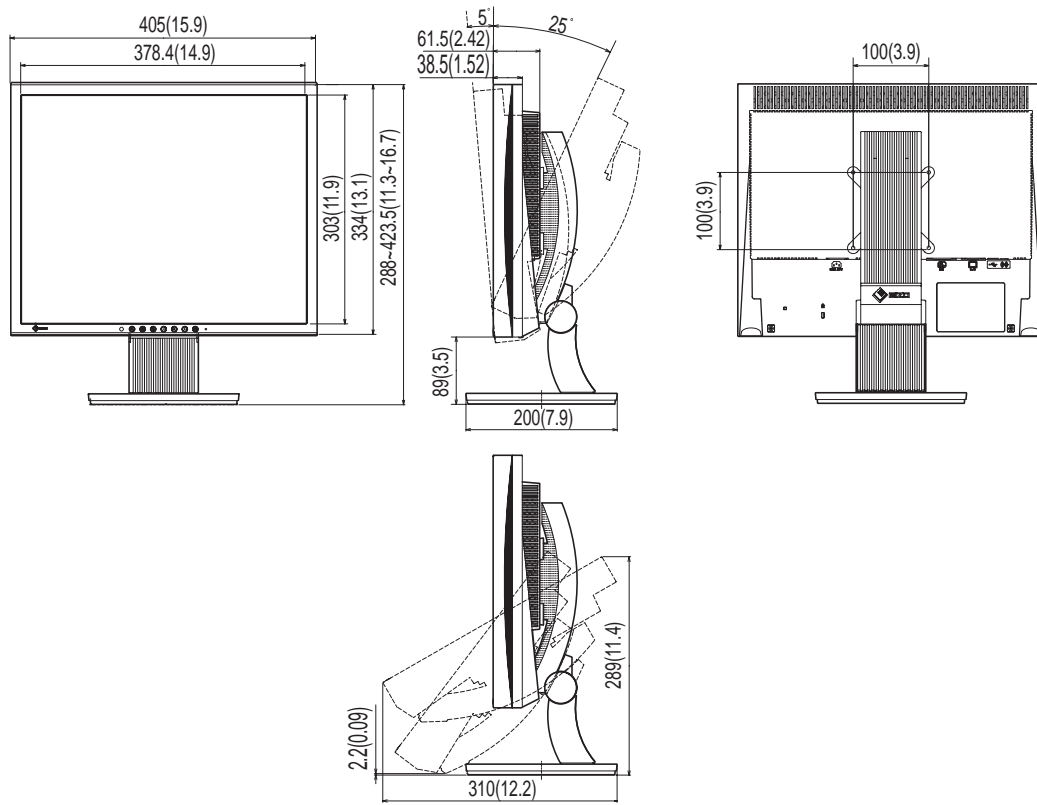
Outside Dimensions (Height adjustable stand)

unit : mm (inch)



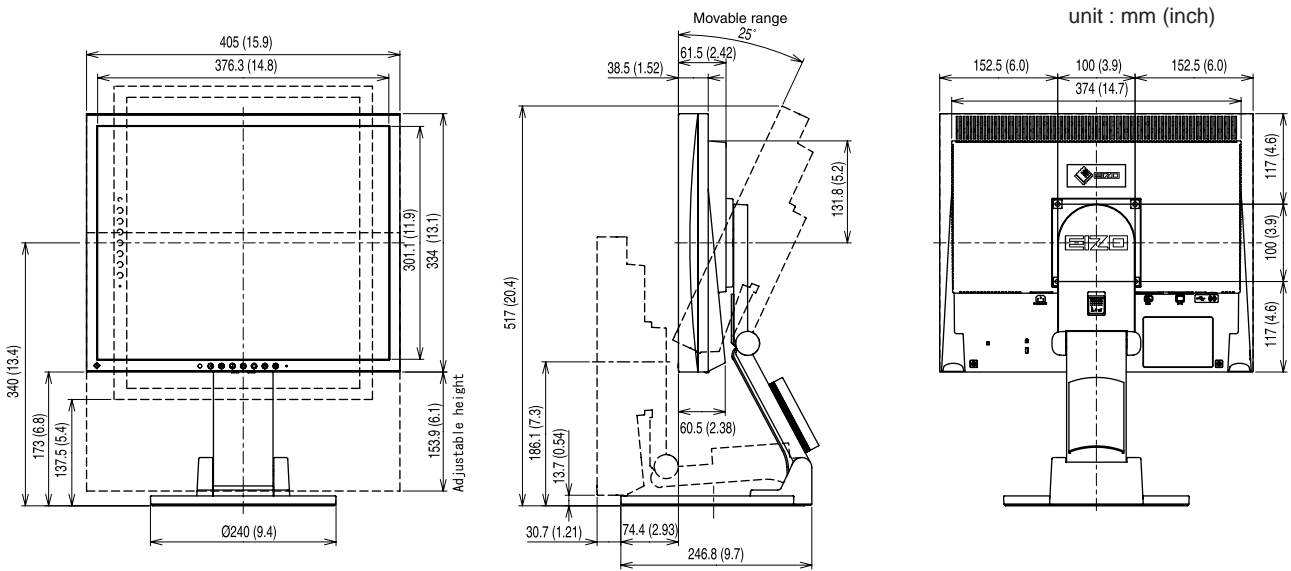
Outside Dimensions (ArcSwing 2 stand)

unit : mm (inch)



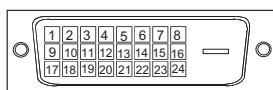
Outside Dimensions (EZ-UP stand)

unit : mm (inch)



Connector Pin Assignment

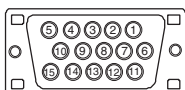
- DVI-D connector



Pin No.	Signal	Pin No.	Signal	Pin No.	Signal
1	TMDS Data 2-	9	TMDS Data1-	17	TMDS Data0-
2	TMDS Data 2+	10	TMDS Data1+	18	TMDS Data0+
3	TMDS Data2/4 Shield	11	TMDS Data1/3 Shield	19	TMDS Data0/5 Shield
4	NC*	12	NC*	20	NC*
5	NC*	13	NC*	21	NC*
6	DDC Clock (SCL)	14	+5V Power	22	TMDS Clock shield
7	DDC Data (SDA)	15	Ground (return for +5V, Hsync and Vsync)	23	TMDS Clock+
8	NC*	16	Hot Plug Detect	24	TMDS Clock-

(NC*: No Connection)

- D-sub mini 15-pin connector



Pin No.	Signal	Pin No.	Signal	Pin No.	Signal
1	Red	6	Red ground	11	Ground
2	Green	7	Green ground	12	Data (SDA)
3	Blue	8	Blue ground	13	H. Sync
4	Ground	9	NC*	14	V. Sync
5	NC*	10	Ground	15	Clock (SCL)

(NC*: No Connection)

Option List

Cleaning Kit	EIZO ScreenCleaner
--------------	--------------------

Resolutions

- For analog signal input

Resolution	Vertical Scan Frequency	Dot clock	Remarks
640 × 400	56 Hz	135 MHz (Max.)	NEC PC-9801
640 × 400	70 Hz		NEC PC-9821
640 × 480	67 Hz		Apple Macintosh
640 × 480	less than 75 Hz		VGA, VESA
720 × 400	70 Hz		VGA TEXT
800 × 600	less than 75 Hz		VESA
832 × 624	75 Hz		Apple Macintosh
1024 × 768	less than 75 Hz		VESA
1152 × 864	75 Hz		VESA
1152 × 870	75 Hz		Apple Macintosh
1280 × 960	60 Hz		VESA
1280 × 960	75 Hz		Apple Macintosh
*1280 × 1024	less than 75 Hz		VESA

- For digital signal input

Resolution	Vertical Scan Frequency	Dot clock	Remarks
640 × 480	60 Hz	108 MHz (Max.)	VGA
720 × 400	70 Hz		VGA TEXT
720 × 480	60 Hz		VESA Safe Mode
800 × 600	60 Hz		VESA
1024 × 768	60 Hz		VESA
*1280 × 1024	60 Hz		VESA

* Recommended resolution (Use this resolution.)

[Return to Cover page](#)

Specifications (S1921)

LCD Panel		19-inch (48 cm) TFT color LCD with anti-glare hard coating Viewing angle: Vertical 178°, Horizontal 178° (CR: 10 or more)
Dot Pitch		0.294 mm
Horizontal Scan Frequency		Analog: 24.8 - 80 kHz (Automatic) Digital: 31 - 64 kHz
Vertical Scan Frequency		Analog: 50 - 75 Hz (Automatic) Digital: 59 - 61 Hz (VGA TEXT: 69 - 71 Hz)
Resolution		1280 dots × 1024 lines
Max. Dot Clock		Analog: 135 MHz Digital: 108 MHz
Max. Display Colors		16.77 million colors
Display Area (H × V)		376.3 mm (14.81 inch) × 301.0 mm (11.85 inch)
Power Supply		100 - 120 VAC ±10% 50/60 Hz, 0.7 A 200 - 240 VAC ±10% 50 Hz, 0.4 A
Power Consumption		*1Maximum (usually): 37W (speaker not working) / 40W (speaker working) *2Maximum (usually): 37W Power saving mode: 1 W or less (for single signal input with line input connector connected)
Input Signal Connectors		DVI-D connector, D-sub mini 15-pin connector
Analog Input Signal (Sync)		H/V Separate, TTL, positive/negative
Analog Input Signal (Video)		Analog, positive (0.7 Vp-p/75 Ω)
Digital Signal Transmission System		TMD5 (Single Link)
Video Signal Memory		Analog signal: 26 (preset: 21)
Audio output*1		Speaker output: 0.3W + 0.3W (16Ω, THD: 10% or less) Headphone output: 2mW + 2mW
Plug & Play		VESA DDC 2B/EDID structure 1.3
Dimensions (including stand) (Width) × (Height) × (Depth) mm (inch)		Tilt stand : 405(15.9) × 416(16.4) × 205(8.1) Height adjustable stand : 405(15.9) × 406.5(16) - 506.5(19.9) × 205(8.1) ArcSwing 2 stand : 405(15.9) × 288(11.39) - 423.5(16.69) × 200(7.9) EZ-UP stand: 405mm(15.9) × 347.7-507mm(13.7-20.0) × 246.8-277.6mm(9.7-10.9)
Movable range	Tilt	Tilt stand : -5° - 30° Height adjustable stand : 0° - 35° ArcSwing 2 stand : -5° - 60° EZ-UP stand : 0° - 25°
	Swivel	Tilt stand : - Height adjustable stand : 172° ArcSwing 2 stand : 172° EZ-UP stand : 172°
	Adjustable height	Tilt stand : - Height adjustable stand : 100 mm ArcSwing 2 stand : 104 mm EZ-UP stand : 154 mm (Tilt : 0°)
	Rotation	Tilt stand : - Height adjustable stand : 90° ArcSwing 2 stand : - EZ-UP stand : -10° - 92°

*1 Model for built-in speaker

*2 Model for no mount speaker

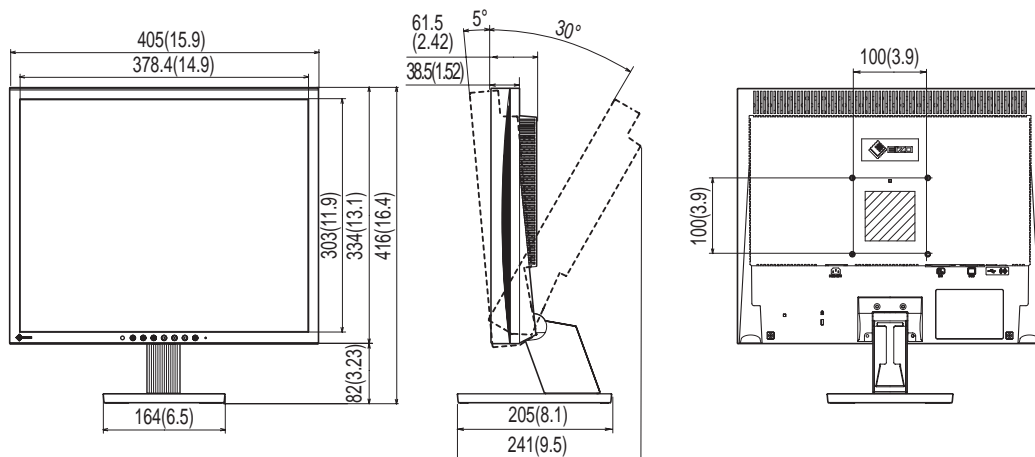
Dimensions (main unit) (Width) x (Height) x (Depth) mm (inch)		405(15.9) x 334(13.1) x 61.5(2.42)
Mass (including stand)		Tilt stand : 6.0 kg (13.2 lbs.) Height adjustable stand : 7.2 kg (15.9 lbs.) ArcSwing 2 stand : 7.0 kg (15.4 lbs.) EZ-UP stand : 8.8 kg (19.4 lbs.)
Mass (Main unit)		5.2 kg (11.5 lb)
Environmental Conditions		Operating temperature: 0 °C - 35 °C (32 °F - 95 °F) Storage temperature: -20 °C - 60 °C (-4 °F - 140 °F) Relative humidity: 30% - 80% (no condensation)
USB*3	Standard	Rev. 2.0 compliant
	Port	Upstream port x 1

Main default settings (factory settings)

BrightRegulator	Disabled
FineContrast Mode	Custom
Off Timer	Disabled
Language	English

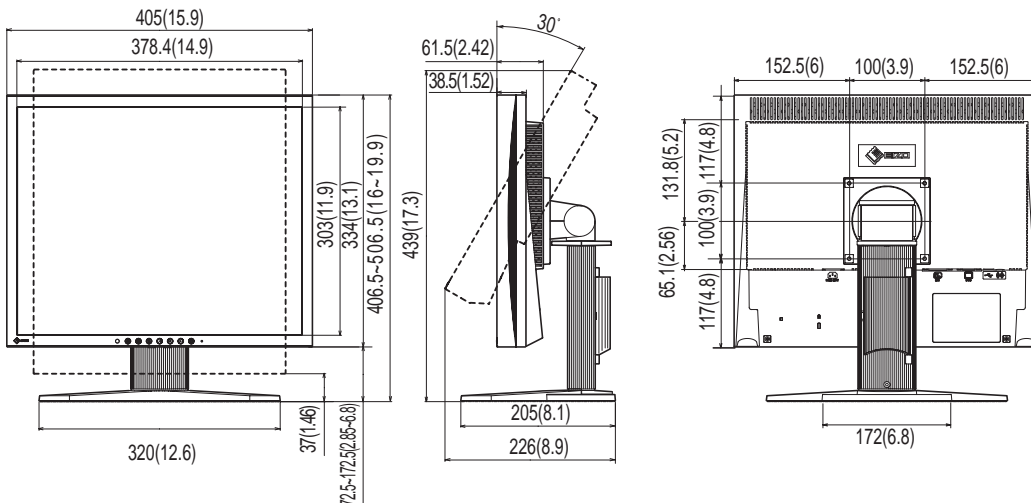
Outside Dimensions (Tilt stand)

unit : mm (inch)



Outside Dimensions (Height adjustable stand)

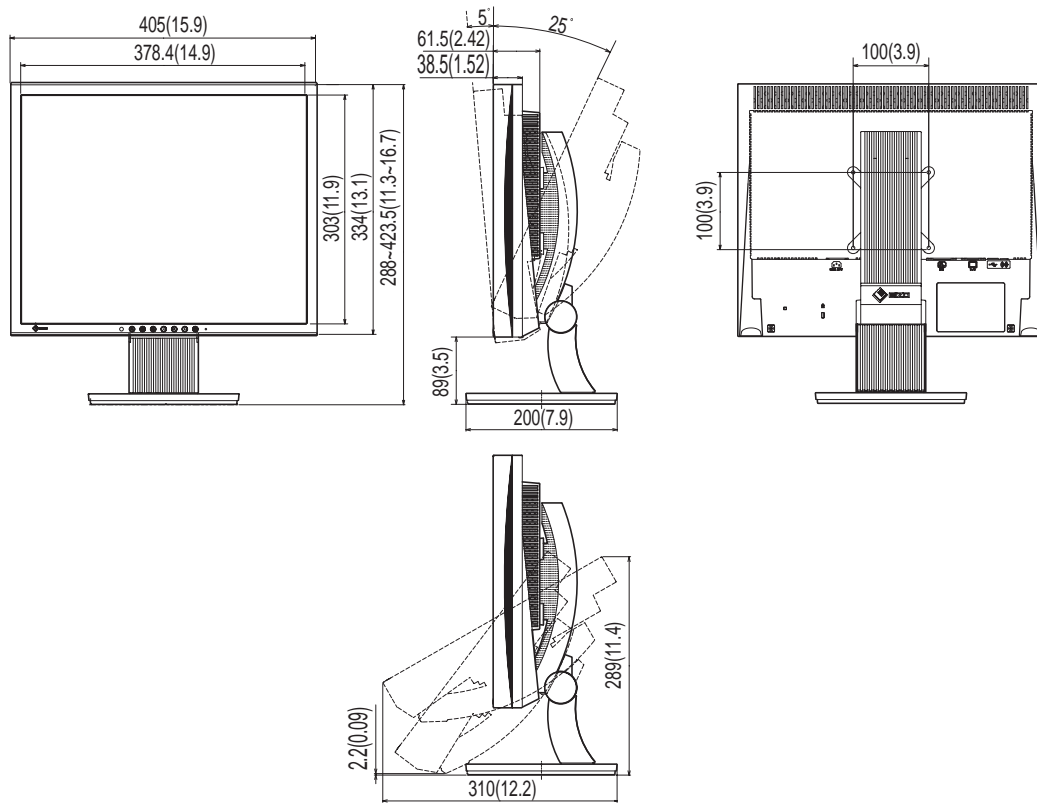
unit : mm (inch)



*3 Model with built-in USB port

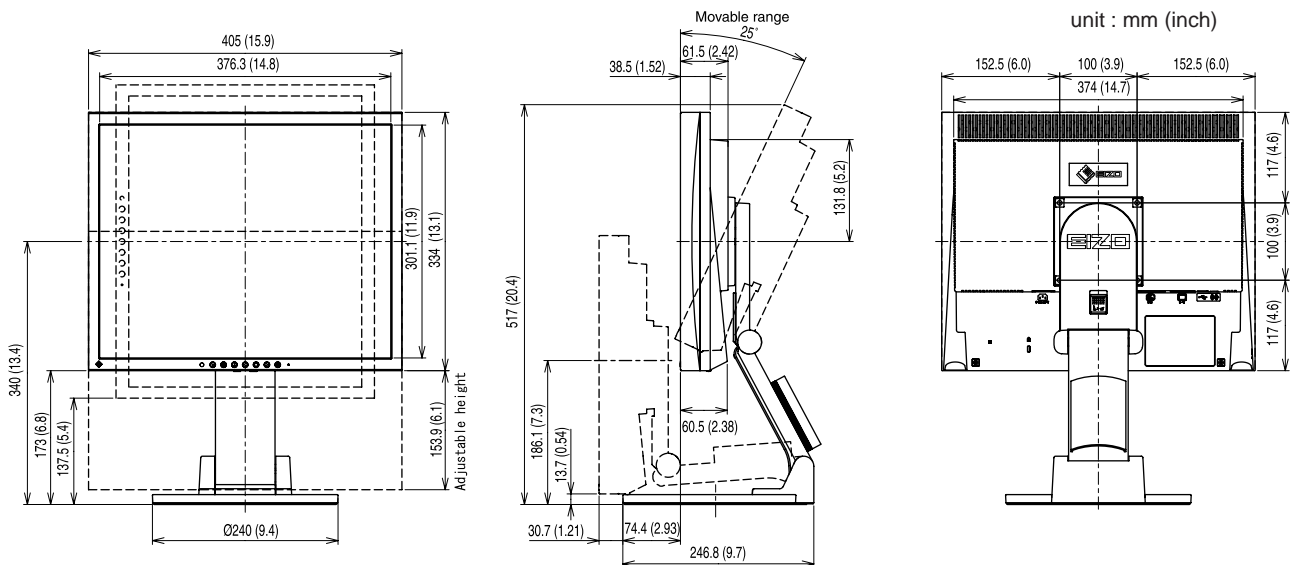
Outside Dimensions (ArcSwing 2 stand)

unit : mm (inch)



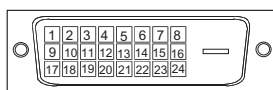
Outside Dimensions (EZ-UP stand)

unit : mm (inch)



Connector Pin Assignment

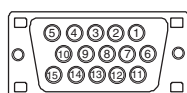
- DVI-D connector



Pin No.	Signal	Pin No.	Signal	Pin No.	Signal
1	TMDS Data 2-	9	TMDS Data1-	17	TMDS Data0-
2	TMDS Data 2+	10	TMDS Data1+	18	TMDS Data0+
3	TMDS Data2/4 Shield	11	TMDS Data1/3 Shield	19	TMDS Data0/5 Shield
4	NC*	12	NC*	20	NC*
5	NC*	13	NC*	21	NC*
6	DDC Clock (SCL)	14	+5V Power	22	TMDS Clock shield
7	DDC Data (SDA)	15	Ground (return for +5V, Hsync and Vsync)	23	TMDS Clock+
8	NC*	16	Hot Plug Detect	24	TMDS Clock-

(NC*: No Connection)

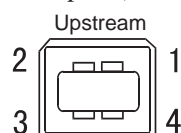
- D-sub mini 15-pin connector



Pin No.	Signal	Pin No.	Signal	Pin No.	Signal
1	Red	6	Red ground	11	Ground
2	Green	7	Green ground	12	Data (SDA)
3	Blue	8	Blue ground	13	H. Sync
4	Ground	9	NC*	14	V. Sync
5	NC*	10	Ground	15	Clock (SCL)

(NC*: No Connection)

- USB port (Model with built-in USB port)



Contact No.	Signal	Remarks
1	VCC	Cable power
2	- Data	Serial data
3	+ Data	Serial data
4	Ground	Cable ground

Option List

Cleaning Kit	EIZO ScreenCleaner
--------------	--------------------

Resolutions

- For analog signal input

Resolution	Vertical Scan Frequency	Dot clock	Remarks
640 × 400	56 Hz	135 MHz (Max.)	NEC PC-9801
640 × 400	70 Hz		NEC PC-9821
640 × 480	67 Hz		Apple Macintosh
640 × 480	less than 75 Hz		VGA, VESA
720 × 400	70 Hz		VGA TEXT
800 × 600	less than 75 Hz		VESA
832 × 624	75 Hz		Apple Macintosh
1024 × 768	less than 75 Hz		VESA
1152 × 864	75 Hz		VESA
1152 × 870	75 Hz		Apple Macintosh
1280 × 960	60 Hz		VESA
1280 × 960	75 Hz		Apple Macintosh
*1280 × 1024	less than 75 Hz		VESA

- For digital signal input

Resolution	Vertical Scan Frequency	Dot clock	Remarks
640 × 480	60 Hz	108 MHz (Max.)	VGA
720 × 400	70 Hz		VGA TEXT
720 × 480	60 Hz		VESA Safe Mode
800 × 600	60 Hz		VESA
1024 × 768	60 Hz		VESA
*1280 × 1024	60 Hz		VESA

* Recommended resolution (Use this resolution.)

[Return to Cover page](#)

Specifications (S1931)

LCD Panel	19-inch (48 mm) TFT color LCD with anti-glare hard coating Viewing angle: Vertical 178°, Horizontal 178° (CR: 10 or more)	
Dot Pitch	0.294 mm	
Horizontal Scan Frequency	Analog: 24.8 - 80 kHz (Automatic) Digital: 31 - 64 kHz	
Vertical Scan Frequency	Analog: 50 - 75 Hz (Automatic) Digital: 59 - 61 Hz (VGA TEXT: 69 - 71 Hz)	
Resolution	1280 dots × 1024 lines	
Max. Dot Clock	Analog: 135 MHz Digital: 108 MHz	
Max. Display Colors	16.77 million colors	
Display Area (H × V)	376.3 (14.81 inch) mm × 301.0 mm (11.85 inch)	
Power Supply	100 - 120 VAC ±10% 50/60 Hz, 0.8 A 200 - 240 VAC ±10% 50 Hz, 0.45 A	
Power Consumption	*1Maximum (usually): 42W (speaker not working) / 45W (speaker working) *2Maximum (usually): 42W Power saving mode: 1 W or less (for single signal input with no USB device or line input connector connected)	
Input Signal Connectors	DVI-D connector, D-sub mini 15-pin connector	
Analog Input Signal (Sync)	H/V Separate, TTL, positive/negative	
Analog Input Signal (Video)	Analog, positive (0.7 Vp-p/75 Ω)	
Digital Signal Transmission System	TMDS (Single Link)	
Video Signal Memory	Analog signal: 26 (preset: 21)	
Audio output*1	Speaker output: 0.3W + 0.3W (16Ω, THD: 10% or less) Headphone output: 2mW + 2mW	
Plug & Play	VESA DDC 2B/EDID structure 1.3	
Dimensions (including stand) (Width) × (Height) × (Depth) mm (inch)	Tilt stand : 405(15.9) × 416(16.4) × 205(8.1) Height adjustable stand : 405(15.9) × 406.5(16) - 506.5(19.9) × 205(8.1) ArcSwing 2 stand : 405(15.9) × 288(11.34) - 423.5(16.67) × 200(7.9) EZ-UP stand: 405mm(15.9) × 347.7-507mm(13.7-20.0) × 246.8-277.6mm(9.7-10.9)	
Movable range	Tilt	Tilt stand : -5° - 30° Height adjustable stand : 0° - 35° ArcSwing 2 stand : -5° - 60° EZ-UP stand : 0° - 25°
	Swivel	Tilt stand : - Height adjustable stand : 172° ArcSwing 2 stand : 172° EZ-UP stand : 172°
	Adjustable height	Tilt stand : - Height adjustable stand : 100 mm ArcSwing 2 stand : 104 mm EZ-UP stand : 154 mm (Tilt : 0°)
	Rotation	Tilt stand : - Height adjustable stand : 90° ArcSwing 2 stand : - EZ-UP stand : -10° - 92°

*1 Model for built-in speaker

*2 Model for no mount speaker

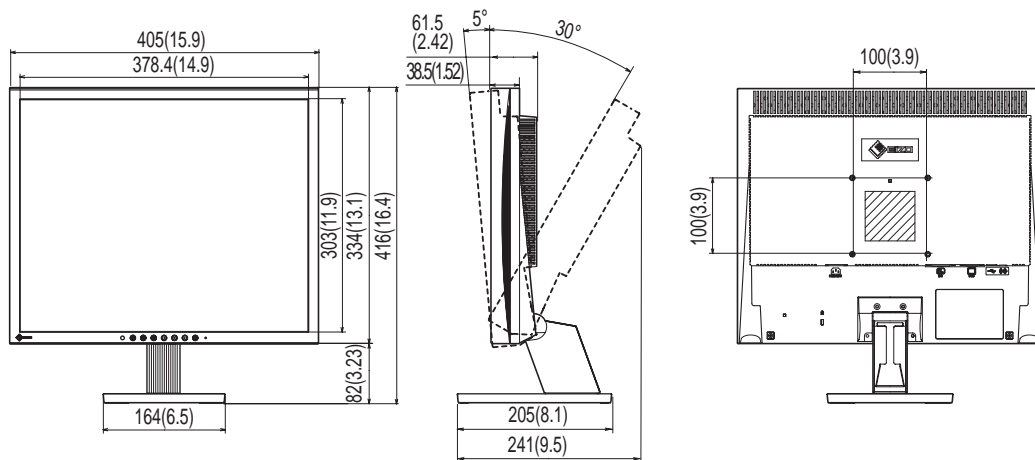
Dimensions (main unit) (Width) x (Height) x (Depth) mm (inch)		405(15.9) x 334(13.1) x 61.5(2.42)
Mass (including stand)		Tilt stand : 6.0 kg (13.2 lbs.) Height adjustable stand : 7.2 kg (15.9 lbs.) ArcSwing 2 stand : 7.0 kg (15.4 lbs.) EZ-UP stand : 8.8 kg (19.4 lbs.)
Mass (Main unit)		5.2 kg (11.5 lb)
Environmental Conditions		Operating temperature: 0 °C - 35 °C (32 °F - 95 °F) Storage temperature: -20 °C - 60 °C (-4 °F - 140 °F) Relative humidity: 30% - 80% (no condensation)
USB*3	Standard	Rev. 2.0 compliant
	Port	Upstream port x 1

Main default settings (factory settings)

BrightRegulator	Disabled
FineContrast Mode	Custom
Off Timer	Disabled
Language	English

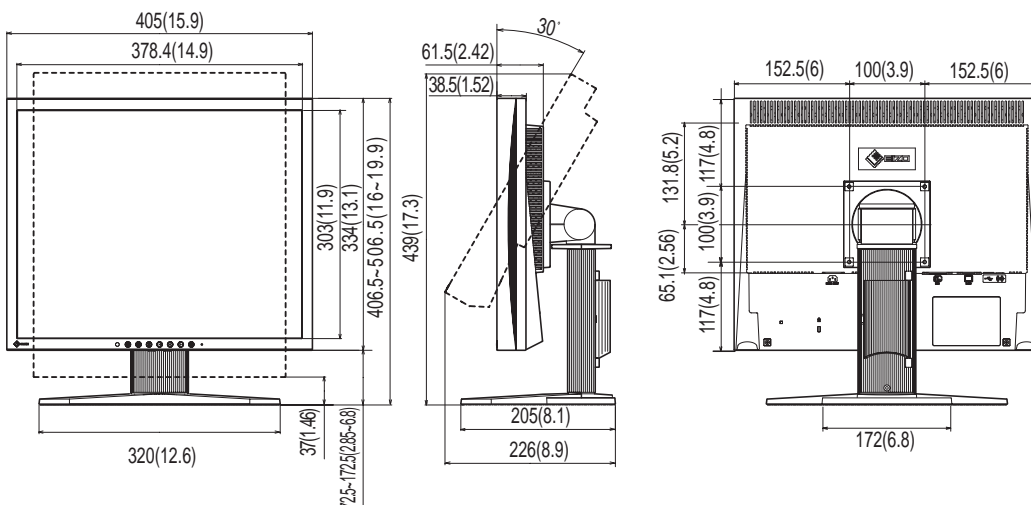
Outside Dimensions (Tilt stand)

unit : mm (inch)



Outside Dimensions (Height adjustable stand)

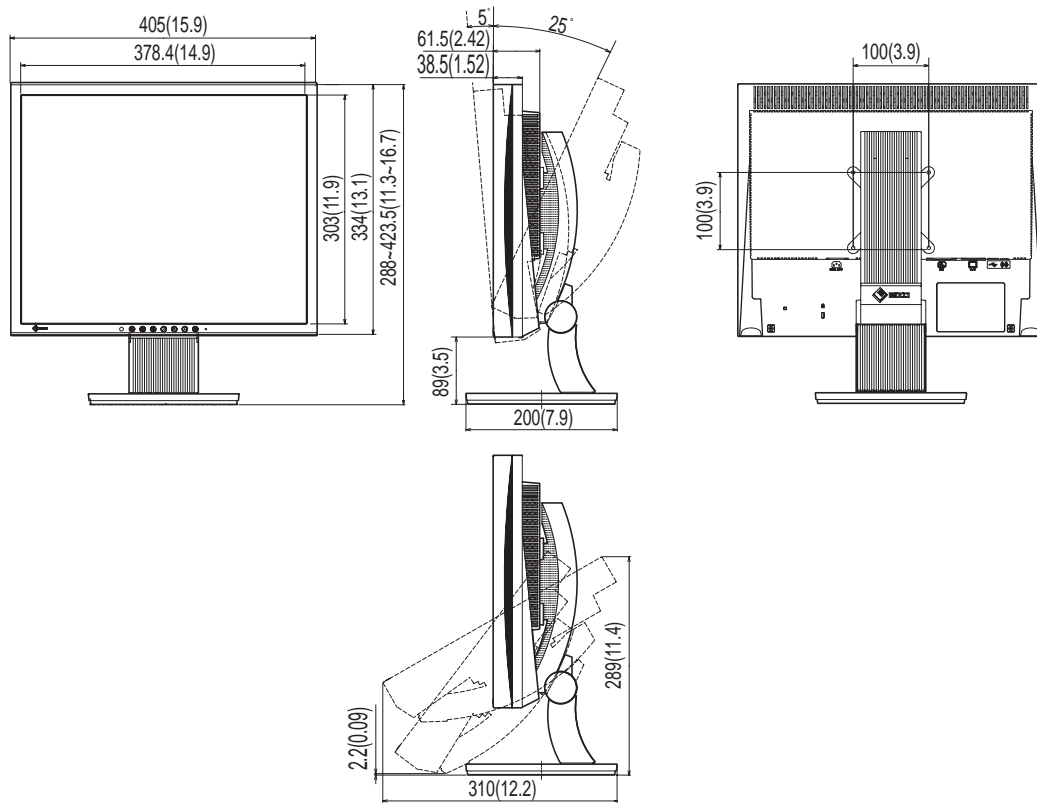
unit : mm (inch)



*3 Model with built-in USB port

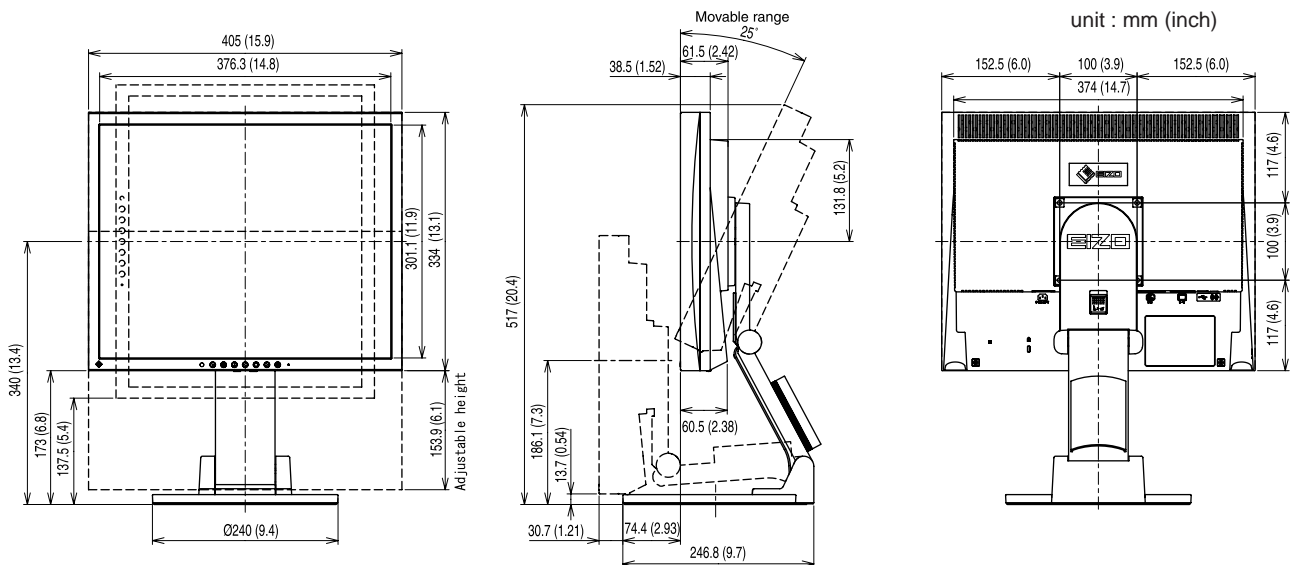
Outside Dimensions (ArcSwing 2 stand)

unit : mm (inch)



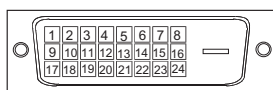
Outside Dimensions (EZ-UP stand)

unit : mm (inch)



Connector Pin Assignment

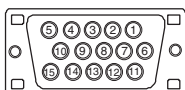
- DVI-D connector



Pin No.	Signal	Pin No.	Signal	Pin No.	Signal
1	TMDS Data 2-	9	TMDS Data1-	17	TMDS Data0-
2	TMDS Data 2+	10	TMDS Data1+	18	TMDS Data0+
3	TMDS Data2/4 Shield	11	TMDS Data1/3 Shield	19	TMDS Data0/5 Shield
4	NC*	12	NC*	20	NC*
5	NC*	13	NC*	21	NC*
6	DDC Clock (SCL)	14	+5V Power	22	TMDS Clock shield
7	DDC Data (SDA)	15	Ground (return for +5V, Hsync and Vsync)	23	TMDS Clock+
8	Analog Vertical Sync	16	Hot Plug Detect	24	TMDS Clock-

(NC*: No Connection)

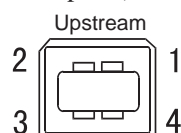
- D-sub mini 15-pin connector



Pin No.	Signal	Pin No.	Signal	Pin No.	Signal
1	Red	6	Red ground	11	Ground
2	Green	7	Green ground	12	Data (SDA)
3	Blue	8	Blue ground	13	H. Sync
4	Ground	9	NC*	14	V. Sync
5	NC*	10	Ground	15	Clock (SCL)

(NC*: No Connection)

- USB port (Model with built-in USB port)



Contact No.	Signal	Remarks
1	VCC	Cable power
2	- Data	Serial data
3	+ Data	Serial data
4	Ground	Cable ground

Option List

Cleaning Kit	EIZO ScreenCleaner
--------------	--------------------

Resolutions

- For analog signal input

Resolution	Vertical Scan Frequency	Dot clock	Remarks
640 × 400	56 Hz	135 MHz (Max.)	NEC PC-9801
640 × 400	70 Hz		NEC PC-9821
640 × 480	67 Hz		Apple Macintosh
640 × 480	less than 75 Hz		VGA, VESA
720 × 400	70 Hz		VGA TEXT
800 × 600	less than 75 Hz		VESA
832 × 624	75 Hz		Apple Macintosh
1024 × 768	less than 75 Hz		VESA
1152 × 864	75 Hz		VESA
1152 × 870	75 Hz		Apple Macintosh
1280 × 960	60 Hz		VESA
1280 × 960	75 Hz		Apple Macintosh
*1280 × 1024	less than 75 Hz		VESA

- For digital signal input

Resolution	Vertical Scan Frequency	Dot clock	Remarks
640 × 480	60 Hz	108 MHz (Max.)	VGA
720 × 400	70 Hz		VGA TEXT
720 × 480	60 Hz		VESA Safe Mode
800 × 600	60 Hz		VESA
1024 × 768	60 Hz		VESA
*1280 × 1024	60 Hz		VESA

* Recommended resolution (Use this resolution.)

[Return to Cover page](#)



EIZO NANAO CORPORATION

153 Shimokashiwano, Hakusan, Ishikawa 924-8566 Japan
Phone: +81 76 277 6792 Fax: +81 76 277 6793

EIZO NANAO TECHNOLOGIES INC.

5710 Warland Drive, Cypress, CA 90630, U.S.A.
Phone: +1 562 431 5011 Fax: +1 562 431 4811

EIZO EUROPE AB

Lovangsvagen 14 194 61, Upplands Väsby, Sweden
Phone: +46 8 590 80 000 Fax: +46 8 590 91 575

EIZO NANAO AG

Moosacherstrasse 6, Au CH - 8820 Wädenswil, Switzerland
Phone: +41-0-44 782 24 40 Fax: +41-0-44 782 24 50

Avnet Technology Solutions GmbH

Lötscher Weg 66, D-41334 Nettetal, Germany
Phone: +49 2153 733-400 Fax: +49 2153 733-483

<http://www.eizo.com/>



4th Edition-September, 2006

03V21905D1
(U.M-SPCS1701)