



User's Manual

ColorEdge[®] CS2410

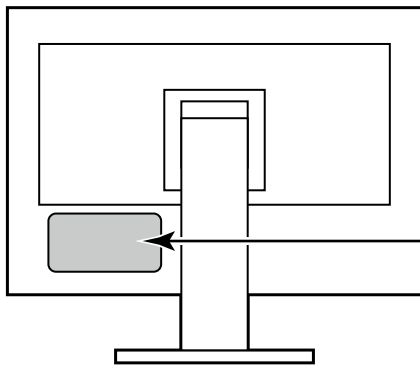
Color Management LCD Monitor

Important

Please read this "User's Manual", and "PRECAUTIONS" (separate volume) carefully to familiarize yourself with safe and effective usage.

-
- Refer to the "Setup Guide" for information on the installation / connection of the monitor.
 - For the latest product information including the "User's Manual", refer to our web site :
www.eizoglobal.com
-

Location of Caution Statement




WARNING
RISK OF ELECTRIC SHOCK. DO NOT OPEN.

AVERTISSEMENT
RISQUE DE CHOC ÉLECTRIQUE. NE PAS OUVRIR.

WARNUNG
GEFAHR DES ELEKTRISCHEN SCHLAGES. RÜCKWAND NICHT ENTFERNEN.

警告
触电危険、請勿打开后盖。

警告
感電の恐れあり、カバーをあけないでください。

The equipment must be connected to a grounded main outlet.
L'appareil doit être relié à une prise avec terre.
Jordet stikkontakt skal benyttes når apparatet tilkobles datanett.
Apparaten skall anslutas till jordat nätuttag.
设备必须连接到接地地的电源插座。
電源コードのアースは必ず接地してください。

This product has been adjusted specifically for use in the region to which it was originally shipped. If operated outside this region, the product may not perform as stated in the specifications.

No part of this manual may be reproduced, stored in a retrieval system, or transmitted, in any form or by any means, electronic, mechanical, or otherwise, without the prior written permission of EIZO Corporation. EIZO Corporation is under no obligation to hold any submitted material or information confidential unless prior arrangements are made pursuant to EIZO Corporation's receipt of said information. Although every effort has been made to ensure that this manual provides up-to-date information, please note that EIZO monitor specifications are subject to change without notice.

Notice for this monitor

Aside from general purposes like creating documents, viewing multimedia content, this product is also suited to applications such as graphics creation and digital photo processing, where accurate color reproduction is a priority.

This product has been adjusted specifically for use in the region to which it was originally shipped. If the product is used outside the region, it may not operate as specified in the specifications.

This product may not be covered by warranty for uses other than those described in this manual.

The specifications noted in this manual are only applicable when the following are used:

- Power cords provided with the product
 - Signal cables specified by us
-

Only use optional products manufactured or specified by us with this product.

If you place this product on a lacquer-coated desk, the color may adhere to the bottom of the stand due to the composition of the rubber. Check the desk surface before use.

It takes about 30 minutes (under our measurement conditions) for the monitor display to stabilize. Please wait 30 minutes or more after the monitor power has been turned on, and then adjust the monitor.

Monitors should be set to a lower brightness to prevent a loss in the screen quality caused by long-term use and to maintain stable use.

When the screen image is changed after displaying the same image for extended periods of time, an afterimage may appear. Use the screen saver or power save function to avoid displaying the same image for extended periods of time. Depending on the image, an afterimage may appear even if it was displayed for a short period of time. To remove such a phenomenon, change the image or keep the power turned off for several hours.

If the monitor displays continuously over a long period of time, dark smudges or burn-in may appear. To maximize the life of the monitor, we recommend the monitor be turned off periodically.

Periodic cleaning is recommended to keep the monitor looking new and to prolong its operation lifetime (refer to [“Cleaning” \(page 4\)](#)).

The LCD panel is manufactured using high-precision technology. Although, missing pixels or lit pixels may appear on the LCD panel, this is not a malfunction. Percentage of effective dots: 99.9994 % or higher.

The backlight of the LCD panel has a fixed lifetime. Depending on the usage pattern, such as usage for long continuous periods, the lifespan of the backlight may run out sooner, requiring replacement. When the screen becomes dark or begins to flicker, please contact your local EIZO representative.

Do not press on the LCD panel or edge of the frame strongly, as this may result in display malfunctions, such as interference patterns, etc. If pressure is continuously applied to the LCD panel surface, the liquid crystal may deteriorate or the LCD panel may be damaged. (If the pressure marks remain on the panel, leave the monitor with a black or white screen. The symptom may disappear.)

Do not scratch or press on the LCD panel with any sharp objects, at this may result in damage to the LCD panel. Do not attempt to brush with tissues as this may scratch the panel.

When the monitor is cold and brought into a room or the room temperature goes up quickly, dew condensation may occur on the interior and exterior surfaces of the monitor. In that case, do not turn the monitor on. Instead wait until the dew condensation disappears, otherwise it may cause some damage to the monitor.

Cleaning

The stains on the cabinet and LCD panel surface can be removed by moistening part of a soft cloth with water.

Attention

- Chemicals such as alcohol and antiseptic solution may cause gloss variation, tarnishing, and fading of the cabinet or LCD panel, and also quality deterioration of the image.
- Never use thinner, benzine, wax, or abrasive cleaner as they may damage the cabinet or LCD panel surface.

Note

- It is recommended that ScreenCleaner (available as an option) be used to clean the cabinet and LCD panel surface.
-

To use the monitor comfortably

- An excessively dark or bright screen may affect your eyes. Adjust the brightness of the monitor according to the environmental conditions.
- Staring at the monitor for a long time tires your eyes. Take a 10-minute rest every hour.

Contents

Notice for this monitor	3	Chapter 6 Reference	30
Cleaning	4	6-1. Removing the Stand	30
To use the monitor comfortably	4	6-2. Attaching the Optional Arm.....	31
Contents	5	6-3. Attaching/Detaching the Cable Holder	32
Chapter 1 Introduction.....	6	6-4. Detaching/Attaching Stand Base.....	34
1-1. Features	6	6-5. Connecting Multiple External Devices.....	37
1-2. Controls and Functions	7	6-6. Making Use of the USB Hub Function	38
● Front	7	● Connection Procedure	38
● Rear.....	8	6-7. Specifications	39
1-3. Supported Resolutions	9	● Accessories.....	40
● When using digital signal input (DVI-D, DisplayPort, HDMI: PC signal).....	9	Appendix.....	41
● When using digital signal (HDMI: Video signal *2)	9	Trademark	41
1-4. Changing the PC Display Settings.....	10	License	41
● Windows 10.....	10	Information for Radio Interference	42
● Windows 8.1 / Windows 7	10		
● macOS	11		
Chapter 2 Basic Adjustments/Settings.....	12		
2-1. Switch Operation Method	12		
2-2. Switching Input Signals	13		
2-3. Switching the Display Mode (color mode) ...	13		
● Display Modes.....	13		
2-4. Adjusting the Brightness.....	14		
Chapter 3 Advanced Adjustments/Settings... 15	15		
3-1. Basic Operation of the Setting Menu	15		
3-2. Setting Menu Functions	16		
● Color.....	16		
● Signal	19		
● Preferences.....	22		
● Languages	24		
● Information	24		
Chapter 4 Administrator Settings.....	25		
4-1. Basic Operation of the "Administrator Settings" Menu.....	25		
4-2. "Administrator Settings" Menu Functions	26		
Chapter 5 Troubleshooting.....	27		
5-1. No Picture	27		
5-2. Imaging Problems.....	28		
5-3. Other Problems	29		

Chapter 1 Introduction

This chapter describes the features of the monitor and the name of each control.

1-1. Features

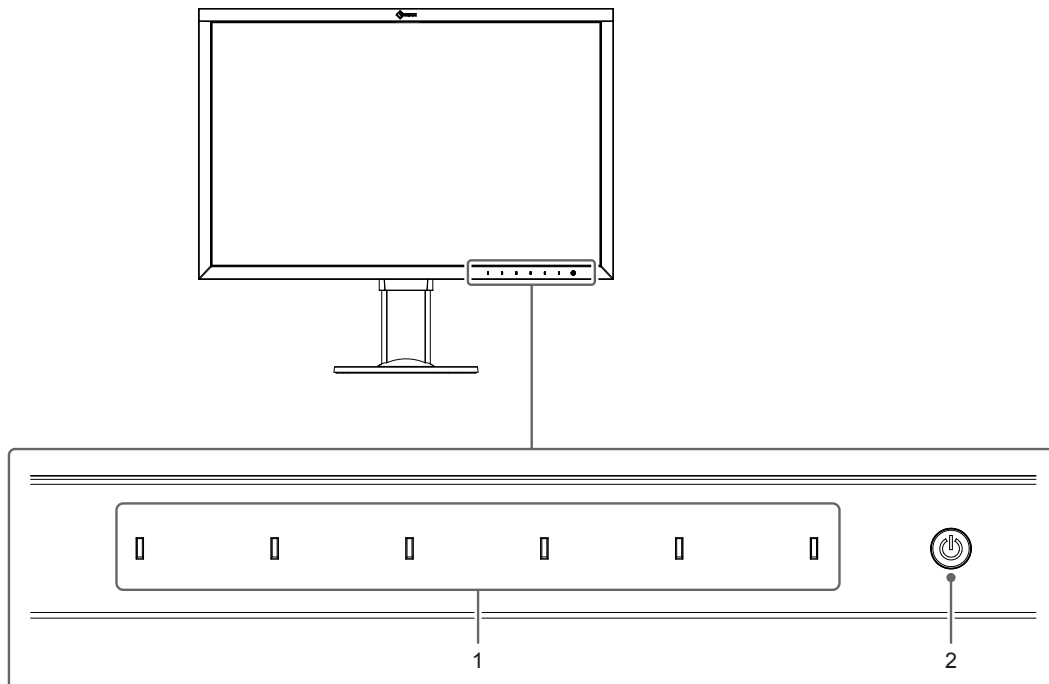
- 24" widescreen
- Resolution: Supports 1920 x 1200
- IPS panel with 89° horizontal and vertical wide viewing angles
- Frame synchronization mode supported (23.75 Hz - 30.5 Hz, 47.5 Hz - 61.0 Hz)
- Support for three digital signal inputs (DVI-D x 1, HDMI x 1, DisplayPort x 1)
 - DisplayPort (supports 8 bit and 10 bit)^{*1}
 - HDMI (supports 8 bit, 10 bit, and 12 bit)^{*1, *2}
Supports PC signals by HDMI input
- *1 Audio signals not supported.
- *2 10 bit and 12 bit are supported only when using HDMI-Video. The maximum screen display is 8 bits.
- Employs stand with wide range of movement.
Allows you to adjust the monitor to the optimal position for easy operation and minimizing fatigue.
(Tilt: up 35°/down 5°, Swivel: 344°, Adjustable height: 155 mm (Tilt: 0°))
- Supports portrait format
- Compatible with color management software "ColorNavigator 7", which enables you to calibrate monitor characteristics and generate color profiles
- Equipped with a USB Hub function that supports USB 3.1
Achieves high-speed data transfers of up to 5 Gbps, which enables transfers of large amounts of data to and from USB-connected devices in a short amount of time.
Also, the "CHARGE" USB downstream port supports quick charging, so you can recharge your smartphone or tablet in a short period of time.
See "6-6. Making Use of the USB Hub Function" (page 38) and "USB CHARGE Port" (page 23)
- Displays HDCP (High Bandwidth Digital Protection) protected content.

Note

- This monitor supports portrait format. When using the screen in a portrait position, you can change the orientation of the Setting menu (see "Menu Rotation" (page 22)).
 - When using the monitor screen in a portrait position, the graphics board supporting portrait display is required. When placing the monitor in a portrait position, settings of your graphics board need to be changed. Refer to the User's Manual of the graphics board for details.
-

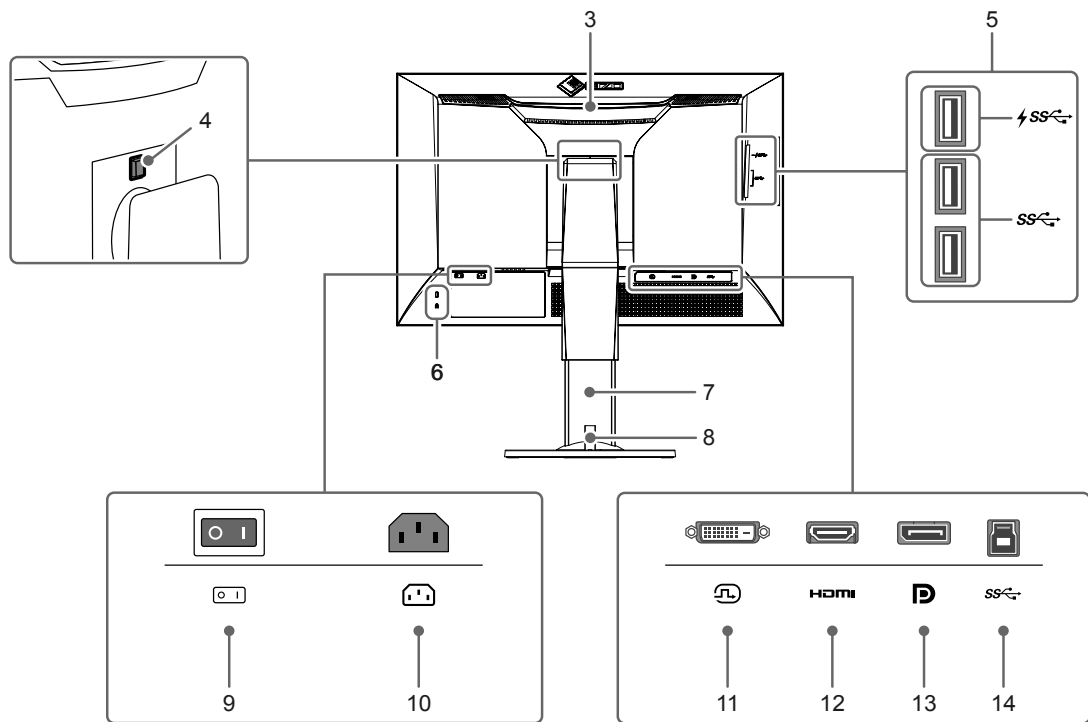
1-2. Controls and Functions

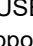
● Front



1. Operation switches	Displays menus. Operate the switches according to the operation guide. Touch the switch to display its menu. The switch indicators are lit white when you turn on the power.
2. Power switch	Turns the power on or off. Touch the switch to turn the power on. The switch indicator is lit when you turn the power on. The indicator color differs depending on the monitor's operation status. White : Normal operating mode Orange : Power saving mode OFF : Power off

● Rear



3. Transportation handle	This handle is used for transportation. Attention <ul style="list-style-type: none"> Firmly grasp and hold the monitor by the bottom while grabbing the handle, and carefully convey the monitor so as not to drop it.
4. Lock button	Use this button when removing the stand from the monitor.
5. USB Type-A connector (USB downstream port)	Connects to a peripheral USB device. Supports USB 3.1. The "CHARGE" port  supports quick recharging (page 23).
6. Security lock slot	Complies with Kensington's MicroSaver security system.
7. Stand^{*1}	Adjusts the height and angle (tilt and swivel) of the monitor.
8. Cable holder	Covers the monitor cables. For details on attaching the cable holder, see "6-3. Attaching/Detaching the Cable Holder" (page 32).
9. Main power switch	Turns the main power on or off. : On, ○ : Off
10. Power connector	Connects the power cord.
11. DVI connector	Connects to an external device that has DVI output.
12. HDMI connector	Connects to an external device that has HDMI output.
13. DisplayPort connector	Connects to an external device that has DisplayPort output.
14. USB Type-B connector (USB upstream port)	Connects to the USB cable when using software that requires a USB connection, or when using the USB Hub function.

*1 An optional arm (or an optional stand) can be attached by removing the stand section (refer to "6-2. Attaching the Optional Arm" (page 31)).

1-3. Supported Resolutions

The monitor supports the following resolutions.

● When using digital signal input (DVI-D, DisplayPort, HDMI: PC signal)

Resolution	Dot Clock	Horizontal Scan Frequency	Vertical Scan Frequency
640 x 480	25.175 MHz	31.469 kHz	59.940 Hz
720 x 400	28.322 MHz	31.469 kHz	70.087 Hz
800 x 600	40.000 MHz	37.879 kHz	60.317 Hz
1024 x 768	65.000 MHz	48.363 kHz	60.004 Hz
1280 x 960	108.000 MHz	60.000 kHz	60.000 Hz
1280 x 1024	108.000 MHz	63.981 kHz	60.020 Hz
1600 x 1200	162.000 MHz	75.000 kHz	60.000 Hz
1680 x 1050	119.000 MHz	64.674 kHz	59.883 Hz
1680 x 1050	146.250 MHz	65.29 kHz	59.954 Hz
1920 x 1080	138.500 MHz	66.587 kHz	59.934 Hz
1920 x 1200 ^{*1}	154.000 MHz	74.038 kHz	59.950 Hz

^{*1} Recommended resolution

● When using digital signal (HDMI: Video signal ^{*2})

Resolution	Dot Clock	Horizontal Scan Frequency	Vertical Scan Frequency
640 x 480	25.200 MHz	31.500 kHz	60.000 Hz
720 (1440) x 480i (4:3)	27.027 MHz	15.750 kHz	60.000 Hz
720 (1440) x 480i (16:9)	27.027 MHz	15.750 kHz	60.000 Hz
720 x 480p (4:3)	27.027 MHz	31.500 kHz	60.000 Hz
720 x 480p (16:9)	27.027 MHz	31.500 kHz	60.000 Hz
720 (1440) x 576i (4:3)	27.000 MHz	15.625 kHz	50.000 Hz
720 (1440) x 576i (16:9)	27.000 MHz	15.625 kHz	50.000 Hz
720 x 576p (4:3)	27.000 MHz	31.250 kHz	50.000 Hz
720 x 576p (16:9)	27.000 MHz	31.250 kHz	50.000 Hz
1280 x 720p	74.250 MHz	37.500 kHz	50.000 Hz
1280 x 720p	74.250 MHz	45.000 kHz	60.000 Hz
1920 x 1080i	74.250 MHz	28.125 kHz	50.000 Hz
1920 x 1080i	74.250 MHz	33.750 kHz	60.000 Hz
1920 x 1080p	74.250 MHz	27.000 kHz	24.000 Hz
1920 x 1080p	74.250 MHz	28.125 kHz	25.000 Hz
1920 x 1080p	74.250 MHz	33.750 kHz	30.000 Hz
1920 x 1080p	148.500 MHz	56.250 kHz	50.000 Hz
1920 x 1080p	148.500 MHz	67.500 kHz	60.000 Hz

^{*2} To display video signals by HDMI signal input, you must change the monitor settings beforehand. (See [“Signal Format” \(page 26\)](#))

1-4. Changing the PC Display Settings

If the screen is not properly displayed after connecting the monitor to a PC, follow the procedure below to change the PC display settings.

● Windows 10

1. Right-click anywhere on the desktop except for on icons to display the menu.
2. From the displayed menu, click "Display settings" to display the "Settings" screen.
3. If there are multiple monitors including the notebook PC screen connected to the computer, select "Extend these displays" from the "Multiple displays" menu, and click "Keep changes" in the confirmation screen. After changing the settings, select the monitor from the "Select and arrange display" menu.
4. By checking the option "Make this my main display" from the "Multiple displays" menu, the display of the monitor will be corrected.
5. Confirm that the monitor's recommended resolution is set in the "Resolution" menu (the term (Recommended) should be displayed after the resolution).
6. To change the size of letters and icons, select the preferred magnification level from the scaling (%) menu.
7. When after changing these settings a message is displayed that prompts you to sign out, sign out once and then sign in again.

● Windows 8.1 / Windows 7

- * For Windows 8.1, click the "Desktop" tile on the Start Screen to display the desktop.
1. Right-click anywhere on the desktop except for on icons to display the menu.
 2. From the displayed menu, click "Screen resolution" to display the settings screen.
 3. If there are multiple monitors including the notebook PC screen connected to the computer, select "Extend these displays" from the "Multiple displays" menu, and click "Apply". In the confirmation screen, click "Keep changes".
 4. Select the monitor from the "Display" menu, check the option "Make this my main display", and click "Apply". The display of the monitor will be corrected.
 5. Confirm that the monitor's recommended resolution is set in the "Resolution" menu (the term (Recommended) should be displayed after the resolution).
 6. To change the size of letters and icons, click "Make text and other items larger or smaller", select the preferred size from the settings screen, and click "Apply".
 7. When after changing settings a message is displayed that prompts you to sign out or log off, sign out or log off once and then sign in or log on again.

● macOS

1. Select "System Preferences" from the Apple menu.
2. When the "System Preferences" panel is displayed, click "Displays".
3. If there are multiple monitors including the notebook PC screen connected to the computer, open the "Arrangement" tab and confirm that "Mirror displays" is not selected. If it is selected, clear it.
4. Select the "Display" tab, and confirm that "Default for display" of "Resolution" is selected. If it is not selected, select it. This sets the correct resolution. Close the "System Preferences" menu. If there are multiple monitors including the notebook PC screen connected to the computer, change the settings for each monitor by using "Display".
5. To select a different resolution, select "Scaled", select a resolution from the resolution list (displayed in list or icon format), and close the panel.


Chapter 2 Basic Adjustments/Settings

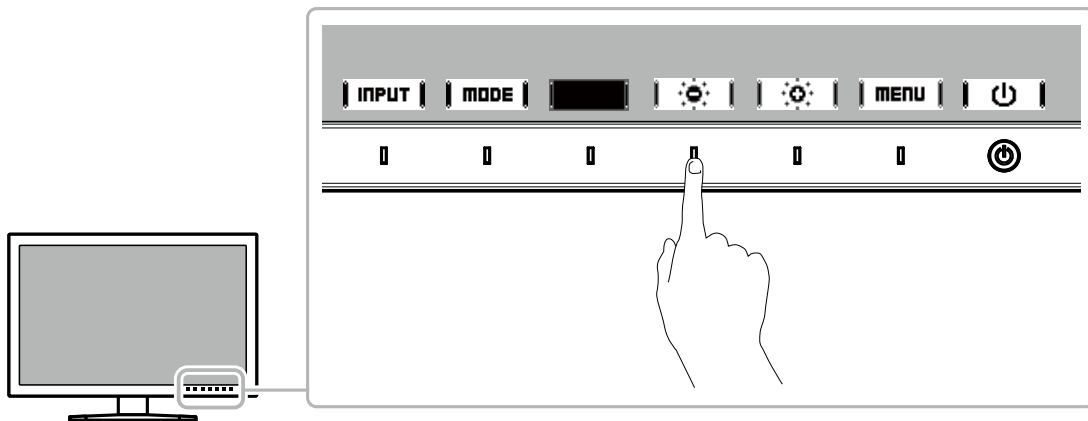
This chapter describes the basic functions that can be set by touching the switches on the front of the monitor.

For advanced adjustment and setting procedures using the Setting menu, see “[Chapter 3 Advanced Adjustments/Settings](#)” (page 15).

2-1. Switch Operation Method

1. Displaying the operation guide

1. Touch any switch (except ).
The operation guide appears on the screen.



2. Setting

1. Touch a switch for setting.
The Setting menu appears.
2. Use the switches to adjust/set the selected item, and then select **OK** to confirm.

3. Exiting

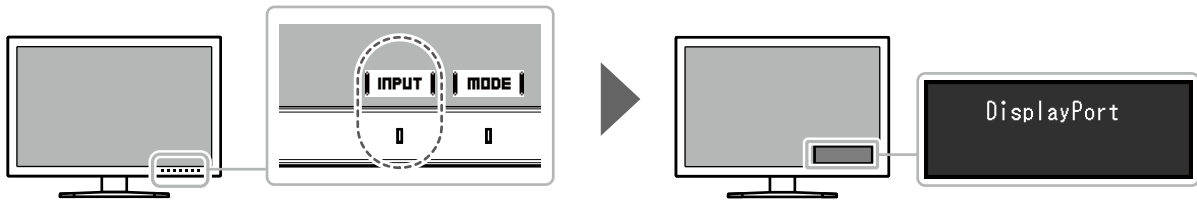
1. Select **RETURN** or **EXIT** to exit the menu.

Note

- The contents of the guide will differ depending on the selected menu or status.
-

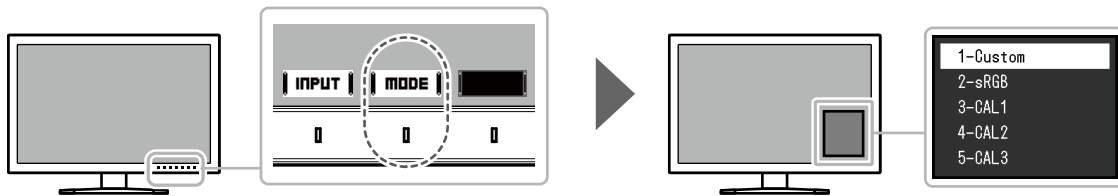
2-2. Switching Input Signals

When a monitor has multiple signal inputs, the signal to display on-screen can be changed. Touch any switch and select **INPUT** to switch to the input terminal of the input you want to display.



2-3. Switching the Display Mode (color mode)

This function allows easy selection of a display mode according to monitor application. Touch any switch and select **MODE** to switch to the color mode you want to use.



● Display Modes

Color Mode	Purpose
Standard Mode	Adjust color using the monitor's Setting menu. You can also adjust the monitor's display using color management software "ColorNavigator 7".
Custom	Select for configuring color settings according to your preference.
sRGB	Suitable for color matching with sRGB compatible peripherals.
Advanced Mode	Adjusts the monitor's display using the "ColorNavigator 7" color management software.
CAL1 CAL2 CAL3	Displays the screen adjusted by ColorNavigator 7.

Note

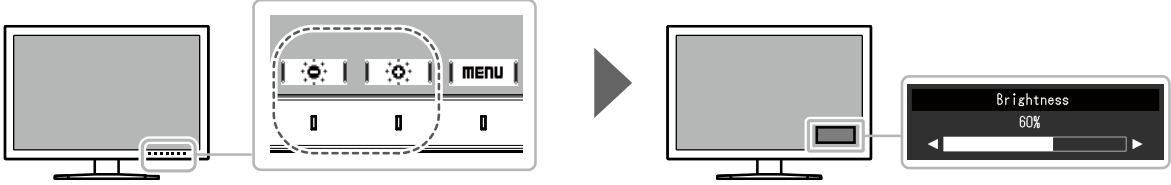
- Use ColorNavigator 7 to set Advanced Mode (CAL1 to CAL3). These settings cannot be changed in the Setting menu on the monitor.
- You can set the color mode for each input signal.
- You can disable specific color mode selections. For more information, see ["Mode Skip" \(page 24\)](#).

2-4. Adjusting the Brightness

The brightness of the screen can be adjusted to suit the installation environment or personal preference.

Settings

0% to 100%




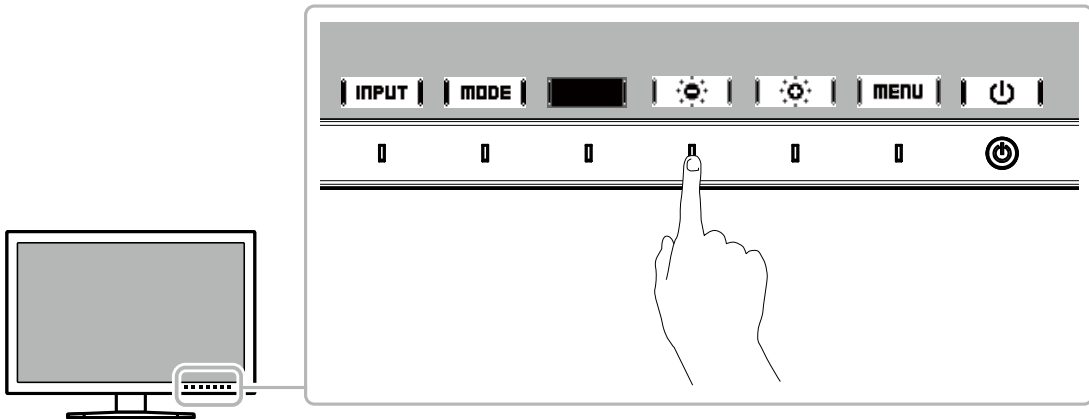
Chapter 3 Advanced Adjustments/Settings

This chapter describes the advanced monitor adjustment and setting procedures using the Setting menu. For the basic setting functions using the switches on the front of the monitor, see “Chapter 2 Basic Adjustments/Settings” (page 12).

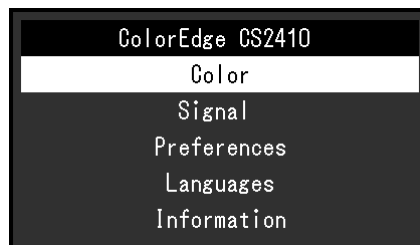
3-1. Basic Operation of the Setting Menu

1. Menu display

1. Touch any switch (except ).
The operation guide appears.

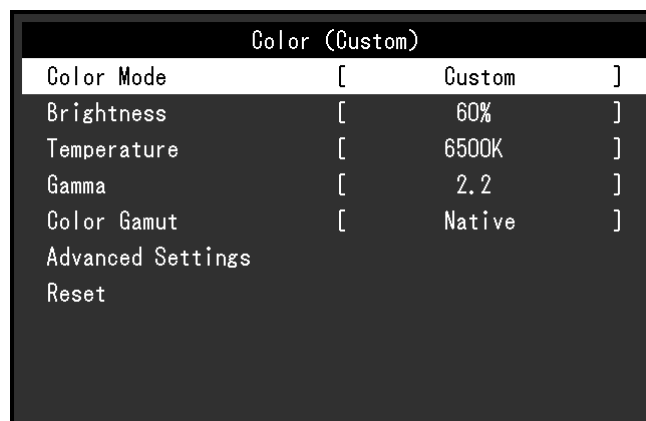


2. Select **| MENU |**.
The Setting menu appears.

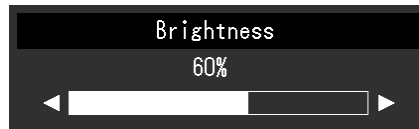


2. Adjusting/setting

1. Choose a menu to adjust/set with **| ▲ | | ▼ |**, and then select **| ENTER |**.
The Sub menu appears.



- Choose an item to adjust/set with **▲** **||** **▼**, and then press **ENTER**.
The Adjustment/Setting menu appears.



- Adjust/set the selected item with **◀** **||** **▶**, and then select **OK**.
The Sub menu appears.
Selecting **CANCEL** during adjustment/setting will cancel the adjustment/setting and restore the state prior to making changes.

3. Exiting

- Select **RETURN**.
The Setting menu appears.
- Select **EXIT**.
The Setting menu exits.

Note

- The contents of the guide will differ depending on the selected menu or status.

3-2. Setting Menu Functions

● Color

When the screen is displayed in Standard Mode (Custom / sRGB), you can adjust the color settings of each color mode according to your preference.



Attention

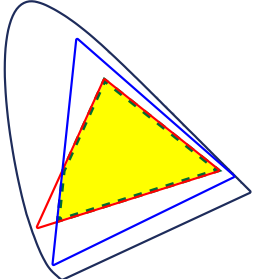
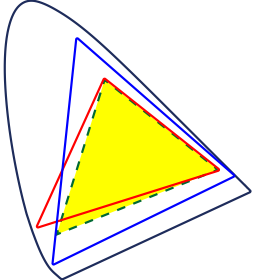
- The same image may be seen in different colors on multiple monitors due to differences between individual monitors. Make fine color adjustment visually when matching colors on multiple monitors.

Note

- Use the values shown in "K" and "%" as a guide only.

Function	Settings	Description
Color Mode	Custom sRGB CAL1 CAL2 CAL3	Switch to the desired mode according to the monitor application. Note • For more information on how to switch modes, see "2-3. Switching the Display Mode (color mode)" (page 13).

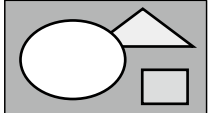
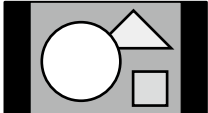

Function	Settings	Description
Brightness	0% to 100%	The screen brightness is adjusted by changing the brightness of the backlight (light source from the LCD back panel).
Temperature	Native 4000 K to 10000 K sRGB User	<p>The color temperature can be adjusted.</p> <p>The color temperature is used to express the chromaticity of "White". The value is expressed in degrees "K" (Kelvin). The screen becomes reddish at a low color temperature, and bluish at a high color temperature, like the temperature of a flame.</p> <p>Specify a color temperature in units of 100 K, or select a standard name.</p> <p>Note</p> <ul style="list-style-type: none"> • When you select "Native", the original color of the LCD panel (Gain: 100 % for each RGB) is displayed. • "Gain" allows you to perform more advanced adjustment. When gain is changed, the color temperature is changed to "User". • The gain preset values are set for each color temperature setting value.
Gamma	1.6 to 2.7 sRGB	<p>Adjust the gamma.</p> <p>The brightness of the monitor varies depending on the input signal, however, the variation rate is not simply proportional to the input signal. The control performed to keep the balance between the input signal and the brightness of the monitor is called "Gamma correction".</p> <p>Set the gamma, or select a standard name.</p>
Color Gamut	Native sRGB	<p>Set the color reproduction area (color gamut).</p> <p>"Color Gamut" is the range of colors that can be represented. Multiple standards are defined.</p> <p>Note</p> <ul style="list-style-type: none"> • Select "Native", to display the original color gamut of the monitor. • The method of displaying colors outside the monitor's displayable range within the defined color gamut can be set. For more information, see "Clipping" (page 18).

Function		Settings	Description
Advanced Settings	Hue	-100 to 100	Adjust the hue. Note • Using this function may make some color gradations unavailable for display.
	Saturation	-100 to 100	Adjust the color saturation. Note • Using this function may make some color gradations unavailable for display. • The minimum value (-100) changes the screen to monochrome.
	Clipping	On Off	The method of displaying colors outside the monitor's displayable range within the color gamut specified in accordance with "Color Gamut" (page 17) can be set. • "On" The range of colors that are displayable on the monitor will be accurately displayed in accordance with the standard. Colors outside the displayable range will be saturated.  • "Off" Displays colors with priority on the color gradation rather than the color accuracy. The vertices of the color gamut defined in the standard move to a range that can be displayed by the monitor. This allows the closest colors displayable by the monitor to be displayed.  <hr/> <p>— Color gamut displayable by the monitor — Color gamut defined by standard - - - Color gamut displayed on screen</p>
	Gain	0 % to 100 %	The brightness of each color component red, green, and blue is called Gain. The hue of "white" can be changed by adjusting the gain. Note • Using this function may make some color gradations unavailable for display. • The gain value changes according to the color temperature. • When gain is changed, the color temperature is changed to "User".
6 Colors	-100 to 100	The hue, saturation, and lightness can each be adjusted for the colors Magenta, Red, Yellow, Green, Cyan, and Blue.	
Reset	OK Cancel	Resets any color adjustment values for the currently selected color mode back to the default settings.	

● Signal

The signal settings are used to configure advanced settings for input signals, such as the screen display size and color format.

Signal (HDMI)		
Picture Expansion	[Auto]
Input Color Format	[Auto]
Input Range	[Auto]
Noise Reduction	[Off]

Function	Settings	Description
Picture Expansion	Auto* ¹ Full Screen Aspect Ratio Dot by Dot	<p>The screen size of the monitor display can be changed.</p> <ul style="list-style-type: none"> • "Auto" The monitor automatically changes the screen size according to the resolution information and aspect ratio information from the input signal. • "Full Screen" Displays an image in full screen. Images are distorted in some cases because the magnification ratio is not necessarily fixed vertically and horizontally. When using video signal (480p/i, 576p/i) input, the image will be displayed in full screen while maintaining the 16:9 aspect ratio. • "Aspect Ratio" Displays an image in full screen. However, since aspect ratios are maintained, part of an image may not be visible in horizontal or vertical direction. When using video signal (480p/i, 576p/i) input, the image will be displayed in full screen while maintaining the 4:3 aspect ratio. • "Dot by Dot" Displays the image at the set resolution or at the size specified by the input signal. <p>Note</p> <ul style="list-style-type: none"> • Example settings <ul style="list-style-type: none"> - Full Screen  - Aspect Ratio  - Dot by Dot (Input Signal) 

*1 Only enabled when input signal information for automatically determining the setting is detected during HDMI input

Function	Settings	Description
Input Color Format	Auto* ² YUV 4:2:2 YUV 4:4:4 RGB	The color space of the input signal can be specified. Try changing this setting if colors are not displayed correctly. Normally, select "Auto". Note • Cannot be set for DVI input.
Input Range	Auto* ³ Full Limited (109% white) Limited	Depending on the external device, the black and white levels in the video signal output to the monitor may be restricted. If the signal is displayed on the monitor in its restricted form, the blacks will be faint, the whites dull, and contrast will be reduced. The brightness range of such signals can be extended to match the actual contrast ratio of the monitor. • "Auto" The monitor automatically recognizes the brightness range of input signals and displays images appropriately. • "Full" The input signal brightness range is not extended. • "Limited (109% white)" The brightness range of the input signal is extended from 16 - 254 (10 bits: 64 - 1019) to 0 - 255 (10 bits: 0 - 1023) for display. • "Limited" The brightness range of the input signal is extended from 16 - 235 (10 bits: 64 - 940) to 0 - 255 (10 bits: 0 - 1023) for display.
Noise Reduction	On Off	The small noises that occur in dark areas of an image are reduced. Use this function to reduce noise and roughness in images. Note • This can only be set when there is HDMI input. • Using the Noise Reduction function may lead to deterioration of fine images.

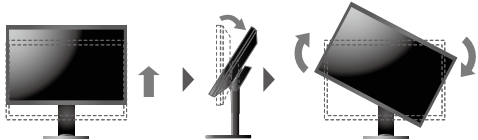
*2 Only enabled when input signal information for automatically determining the setting is detected

*3 Disabled during DVI input

● Preferences

The monitor's settings can be configured to suit the usage environment or personal preference.

Preferences		
Auto Input Detection	[Off]
Menu Rotation	[0°]
USB CHARGE Port	[Normal]
Power Save	[On]
Indicator	[4]
Beep	[On]
Input Skip		
Mode Skip		
Monitor Reset		

Function	Settings	Description
Auto Input Detection	Off On	<p>When this function is set to "On", the monitor automatically recognizes the connector through which signals are input, so that the screen can be displayed. When the input signal of the selected connector disappears, another signal is automatically displayed.</p> <p>When set to "Off", the monitor displays the signal from the selected connector regardless of whether a signal is input or not. In this case, select the input signal to display using the operation switch (INPUT) on the front of the monitor.</p> <p>Note</p> <ul style="list-style-type: none"> When the main power is turned on/off, the signal is detected automatically regardless of the setting for this function.
Menu Rotation	0° 90°	<p>This function allows you to change the orientation of the Setting menu to align with the installation orientation.</p> <p>Note</p> <ul style="list-style-type: none"> When using the monitor screen in a portrait position, the graphics board supporting portrait display is required. When placing the monitor in a portrait position, settings of your graphics board need to be changed. Refer to the User's Manual of the graphics board for details. When using the monitor in a portrait position, rotate the monitor after pulling up the screen to the uppermost position of the stand and setting the screen tilted upward. 

Function	Settings	Description
USB CHARGE Port	Normal Charging Only	<p>The "CHARGE" USB downstream port of the monitor supports USB 3.1 quick charging. By changing this setting to "Charging Only", devices connected to the "CHARGE" port can be charged more quickly than when using the "Normal" setting.</p> <p>Note</p> <ul style="list-style-type: none"> • Make sure to complete any communication between connected USB devices and the PC before switching this setting. When the setting is switched, all communication will be temporarily interrupted. • Devices that are connected to the "CHARGE" port must support quick charging. • When "Charging Only" is set, data communications between the PC and connected devices via the "CHARGE" port are not possible, and therefore, connected devices will not work. • When "Charging Only" is set, charging is possible even when the monitor and PC are not connected by USB cable.
Power Save	On Off	<p>This function allows you to set the monitor to the power saving mode, depending on the state of an external device connected to it.</p> <p>The monitor changes to power saving mode about 15 seconds after signal input ceases to be detected. When the monitor has shifted to power saving mode, images are not displayed on the screen.</p> <ul style="list-style-type: none"> • Exiting power saving mode <ul style="list-style-type: none"> - If the monitor receives input, it automatically exits power saving mode and returns to the normal display mode. <p>Note</p> <ul style="list-style-type: none"> • At the time of shifting to power saving mode, a message that indicates the transition is displayed 5 seconds in advance. • When you are not using the monitor, turn off the main power switch to cut down on power consumption. • When the monitor is in power saving mode, devices connected to the USB downstream port will still work. Therefore, power consumption of the monitor varies depending on the connected devices, even in the power saving mode.
Indicator	Off 1 to 7	The brightness of the power switch and the operation switches when the screen is displayed can be set. (Default setting: 4)
Beep	On Off	You can set the beep that sounds each time a switch is operated.
Input Skip	Skip -	<p>This function allows skipping of input signals that will not be used when the input signals are switched.</p> <p>Note</p> <ul style="list-style-type: none"> • Not all input signals can be set to "Skip".

Function	Settings	Description
Mode Skip	Skip -	This function allows skipping of modes that will not be used when selecting modes. Please use this function if display modes are limited, or if you want to prevent randomly changing the display status. Note • Not all modes can be set to "Skip".
Monitor Reset	OK Cancel	Restores all settings to their default values, except for the settings in the "Administrator Settings" menu.

● Languages

The display language for menus and messages can be selected.

Settings

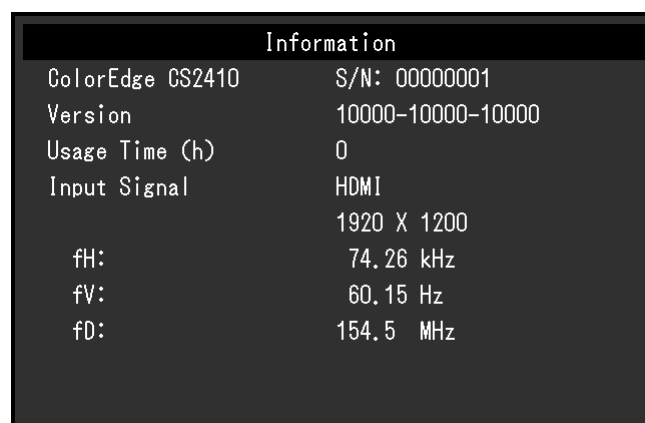
English, German, French, Spanish, Italian, Swedish, Japanese, Simplified Chinese, Traditional Chinese



● Information

You can check the monitor information (model name, serial number (S/N), firmware version, usage time) and the input signal information.

Example:



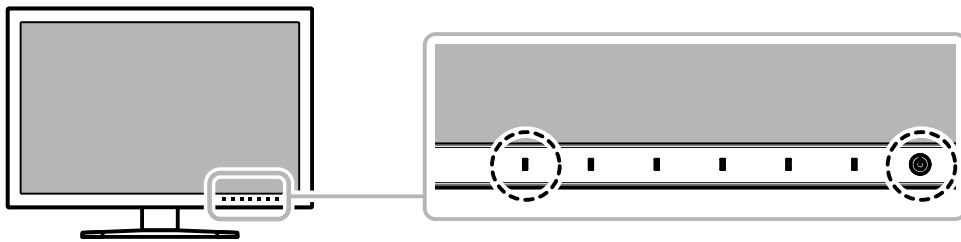
Chapter 4 Administrator Settings

This chapter describes how to configure monitor operation using the "Administrator Settings" menu. This menu is for administrators. Configuration on this menu is not required for normal monitor use.

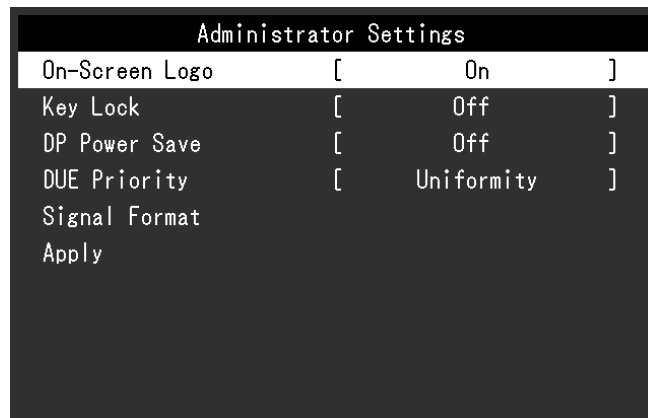
4-1. Basic Operation of the "Administrator Settings" Menu

1. Menu display

1. Touch  to turn off the monitor.
2. While touching the leftmost switch, touch  for more than 2 seconds to turn on the monitor.

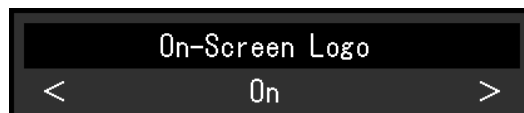







The "Administrator Settings" menu appears.



2. Setting

1. Choose an item to set with     , and then select . The Adjustment/Setting menu appears.

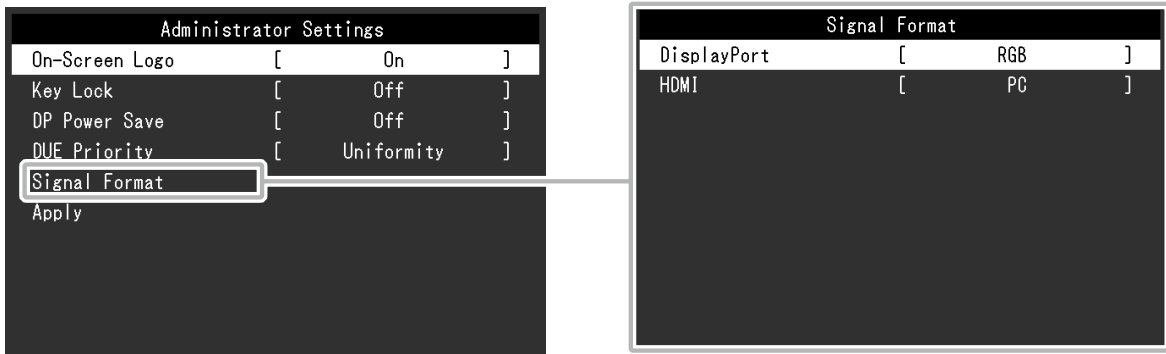


2. Set the item with    , and then select . The "Administrator Settings" menu appears.

3. Applying and exiting

1. Select "Apply", and then select . The settings are confirmed and the "Administrator Settings" menu quits.


4-2. "Administrator Settings" Menu Functions



Function	Settings	Description
On-Screen Logo	Off On	When this function is set to "Off", the EIZO logo that is displayed when the monitor is turned on does not appear.
Key Lock	Off Menu All	In order to prevent changes to settings, the operation switches on the front of the monitor can be locked. <ul style="list-style-type: none"> "Off" (Default setting) Enable all switches. "Menu" Lock the MENU switch. "All" Lock all switches except the power switch.
DP Power Save	On Off	When you switch the power back on or return from power save mode while the PC is connected via the DisplayPort connector, windows or icons may have shifted position. In such cases, set this function to "Off".
DUE Priority	Uniformity Brightness	This product is equipped with a Digital Uniformity Equalizer (DUE) function that reduces display unevenness. This DUE setting can be changed. <ul style="list-style-type: none"> "Uniformity" Prioritizes reduction of display unevenness. "Brightness" Prioritizes high brightness and high contrast. <p>Note</p> <ul style="list-style-type: none"> When changing the DUE setting, the monitor whose display is adjusted must be re-calibrated. Perform the calibration again.
Signal Format	DisplayPort	RGB/YUV RGB
	HDMI	Video PC
		You can switch the signal type that the monitor can display. To display video signals when using HDMI signal input, set to "Video".

Chapter 5 Troubleshooting

5-1. No Picture

Problem	Possible cause and remedy
<p>1. No picture</p> <ul style="list-style-type: none"> Power indicator does not light up. <hr/> <ul style="list-style-type: none"> Power indicator is lighting white. <hr/> <ul style="list-style-type: none"> Power indicator is lighting orange. <hr/> <ul style="list-style-type: none"> Power indicator is flashing orange and white. 	<ul style="list-style-type: none"> Check whether the power cord is connected properly. Turn on the main power switch on the rear side of the monitor. Touch . Turn off the main power switch on the rear side of the monitor, and then turn it on again a few minutes later. <hr/> <ul style="list-style-type: none"> Increase "Brightness" and/or "Gain" in the Setting menu (see "Color" (page 16)). <hr/> <ul style="list-style-type: none"> Switch the input signal. Move the mouse or press any key on the keyboard. Check whether the external device is turned on. Turn off the main power switch on the rear side of the monitor, and then turn it on again. <hr/> <ul style="list-style-type: none"> This problem may occur when an external device is connected via the DisplayPort connector. Connect via the signal cable specified by EIZO, turn off the monitor, and then turn it on again.
<p>2. The message below appears.</p> <ul style="list-style-type: none"> This message appears when no signal is input. <p>Example:</p> <div data-bbox="376 1108 699 1205" style="border: 1px solid black; background-color: #333; color: white; padding: 5px; text-align: center;"> DisplayPort No Signal </div> <hr/> <ul style="list-style-type: none"> The message shows that the input signal is out of the frequency specification range. <p>Example:</p> <div data-bbox="376 1400 699 1496" style="border: 1px solid black; background-color: #333; color: white; padding: 5px; text-align: center;"> HDMI Signal Error </div>	<p>This message appears when the signal is not input correctly even though the monitor is functioning properly.</p> <hr/> <ul style="list-style-type: none"> The message shown left may appear, because some external devices do not output the signal immediately after power-on. Check whether the external device is turned on. Check whether the signal cable is connected properly. Switch the input signal. Turn off the main power switch on the rear side of the monitor, and then turn it on again. Try changing "Signal Format" in the "Administrator Settings" menu (see "Signal Format" (page 26)). <hr/> <ul style="list-style-type: none"> Check whether the external device is configured to meet the resolution and vertical scan frequency requirements of the monitor (see "1-3. Supported Resolutions" (page 9)). Reboot the external device. Change to the appropriate setting using the graphics board's utility. Refer to the User's Manual of the graphics board for details.

5-2. Imaging Problems

Problem	Possible cause and remedy
1. The screen is too bright or too dark.	<ul style="list-style-type: none"> Use "Brightness" in the Setting menu to adjust it (see "Color" (page 16)). The LCD monitor backlight has a limited life span. If the screen becomes dark or begins to flicker, contact your local EIZO representative.
2. Afterimages appear	<ul style="list-style-type: none"> Afterimages are particular to LCD monitors. Avoid displaying the same image for a long time. Use the screen saver or power saving function to avoid displaying the same image for extended periods of time.
3. Green/red/blue/white dots remain on the screen / Defective dots remain on the screen	<ul style="list-style-type: none"> This is due to LCD panel characteristics and not a malfunction.
4. Interference patterns or pressure marks remain on the screen.	<ul style="list-style-type: none"> Display a white or black image over the entire screen. The symptom may disappear.
5. Noise appears on the screen.	<ul style="list-style-type: none"> When inputting HDCP system signals, normal images may not be displayed immediately.
6. (For DisplayPort signal input) When you switch the power back on or return from power saving mode, windows or icons may have shifted position.	<ul style="list-style-type: none"> In the "Administrator Settings" menu, set "DP Power Save" to "Off" (see "DP Power Save" (page 26)).
7. (For DisplayPort or HDMI signal input) The screen colors look strange.	<ul style="list-style-type: none"> Try changing "Input Color Format" in the Setting menu (see "Input Color Format" (page 21)). For HDMI signal input, try changing "Signal Format" in the "Administrator Settings" menu (see "Signal Format" (page 26)).
8. The image does not display on the entire screen.	<ul style="list-style-type: none"> Try changing "Picture Expansion" in the Setting menu (see "Picture Expansion" (page 20)). For HDMI signal input, check whether "Signal Format" is set to "PC" in the "Administrator Settings" menu (see "Signal Format" (page 26)). Is the resolution set to the recommended resolution (1920 x 1200)? For details on the settings, refer to the User's Manual of the graphics board.

5-3. Other Problems

Problem	Possible cause and remedy
1. The Setting menu/Mode menu cannot be displayed	<ul style="list-style-type: none"> • Check whether the operation switch lock function works (see “Key Lock” (page 26)). • Control switches are locked when the main window of ColorNavigator 7 is displayed. Exit the software.
2. The monitor connected with the USB cable is not detected. / The peripheral USB device connected to the monitor does not work.	<ul style="list-style-type: none"> • Check whether the USB cable is connected correctly (see “6-6. Making Use of the USB Hub Function” (page 38)). • If a peripheral device is connected to the "CHARGE" port, try checking the "USB CHARGE Port" setting (see “USB CHARGE Port” (page 23)). If it is set to "Charging Only", the peripheral device will not work. • Try changing to a different USB port on the external device. • Try changing to a different USB port on the monitor. • Reboot the external device. • If the peripheral devices work correctly when the external device and peripheral devices are connected directly, contact your local EIZO representative. • Check whether the external device and OS are USB compliant. (For USB compliance of the respective devices, consult their manufacturers.) • Depending on the USB 3.1 host controller that you are using, connected USB devices may not be recognized correctly. Update to the latest USB 3.1 driver provided by each manufacturer, or connect the monitor to the USB 2.0 port. • Check the external device's BIOS setting for USB when using Windows. (Refer to the User's Manual of the external device for details.)
3. Audio is not output.	<ul style="list-style-type: none"> • This product is not equipped with a speaker.

Chapter 6 Reference

6-1. Removing the Stand

The stand section of this product can be removed.

Attention

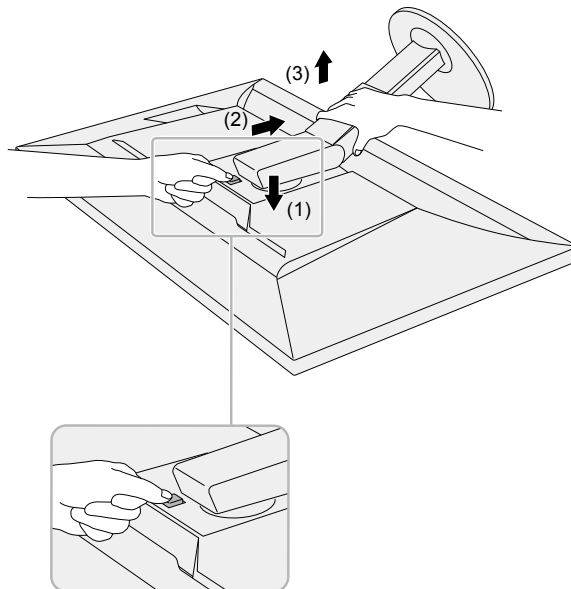
- Do not move the removed stand up and down. Doing so may result in injury or equipment damage.
- Since the monitor and stand are heavy, dropping them may result in injury or equipment damage.

1. To prevent damaging the panel surface, lay the monitor with its panel surface facing down on a soft cloth spread on a stable surface.

2. Remove the stand.

Press and hold the lock button (1), firmly grip the stand support, and then slide the stand in the direction of the base of the stand (2).

When the tab that holds the stand in place loosens, remove the stand (3).



6-2. Attaching the Optional Arm

An optional arm (or an optional stand) can be attached by removing the stand section. Please refer to our web site for the corresponding optional arm (or optional stand). www.eizoglobal.com

Attention

- When attaching an arm or stand, follow the instructions of their User's Manual.
- When using another manufacturer's arm or stand, confirm the following in advance and select one conforming to the VESA standard. Use the VESA mounting screws supplied with this product when attaching the arm or stand.
 - Clearance between screw holes: 100 mm x 100 mm
 - External dimensions of the VESA mount section of the arm or stand: 122 mm x 122 mm or less
 - Plate thickness: 2.6 mm
 - Must be strong enough to support weight of the monitor unit (excluding the stand) and attachments such as cables.
- When using an arm or stand, attach it to meet the following tilt angles of the monitor.
 - Up 45°, down 45°
- Connect the cables after attaching an arm or stand.
- Since the monitor and arm or stand are heavy, dropping them may result in injury or equipment damage.
- When installing the monitor in portrait mode, turn the monitor screen 90° in clockwise direction.

Attaching the Optional Arm (or Optional Stand)

1. Attach the arm or stand to the monitor.

Use the VESA mounting screws supplied with this product when attaching the arm or stand.

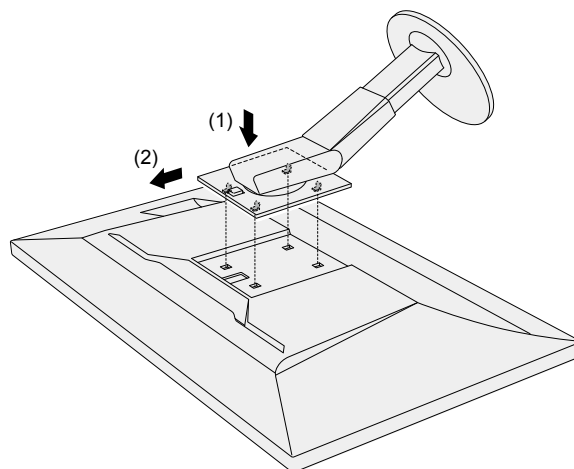
Attaching the Original Stand

1. To prevent damaging the panel surface, lay the monitor with its panel surface facing down on a soft cloth spread on a stable surface.

2. Remove the fixing screws on the optional arm (or optional stand), and detach the optional arm (or optional stand).

3. Attach the original stand.

Insert the four tabs on the stand into the square holes on the back panel (1) and slide the stand towards the upper portion of the monitor until it makes a clicking sound (2).

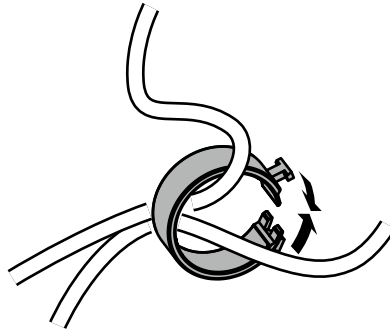


6-3. Attaching/Detaching the Cable Holder

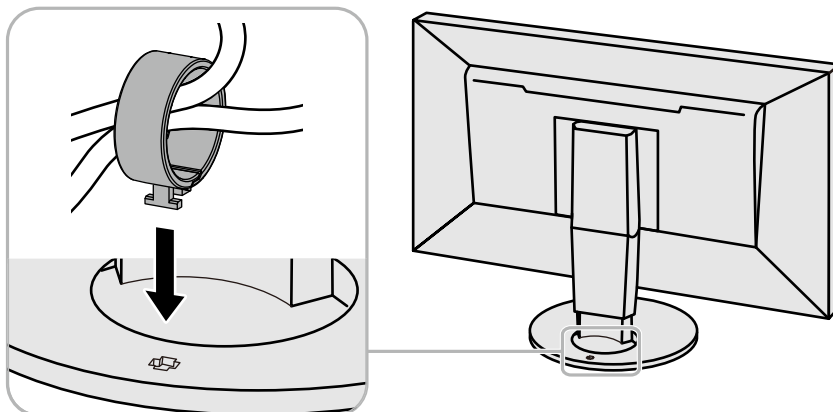
A cable holder is supplied with this product. Use the cable holder to organize the cables connected to the monitor.

Attachment procedure

1. Pass the cables through the cable holder.
2. Close the cable holder.

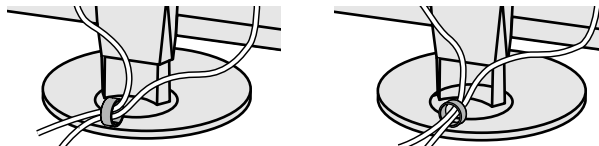


3. In this state, insert the cable holder into the stand.



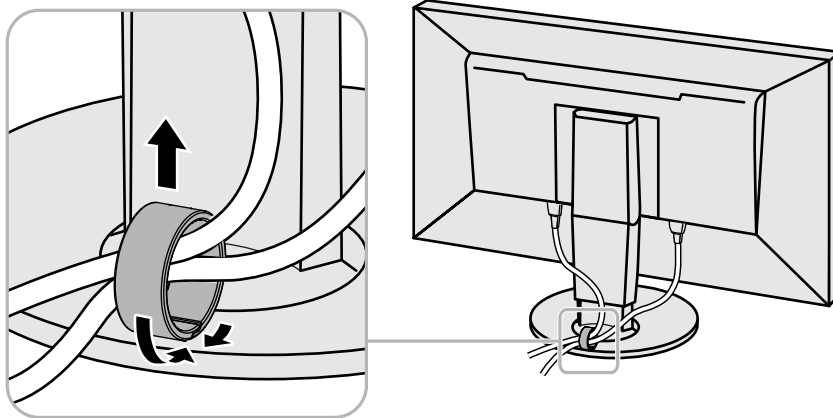
Note

- The cable holder can be inserted either perpendicular or parallel to the stand. Change the orientation of the cable holder in line with the direction of the cables.



Detachment procedure

- 1.** Close the cable holder.
- 2.** In this state, pull the cable holder from the stand.

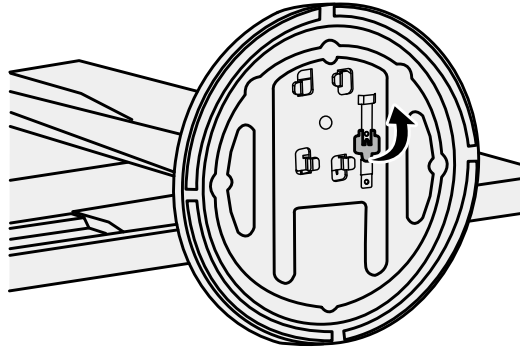


6-4. Detaching/Attaching Stand Base

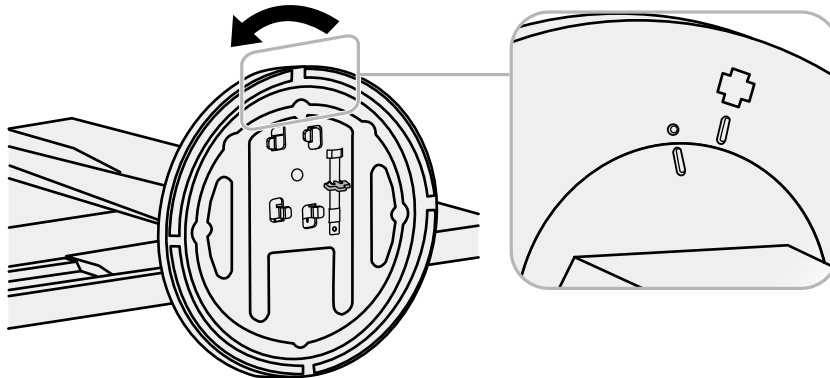
Detachment procedure

The stand base that was attached during setup can be detached using the following procedures.

1. To prevent damaging the panel surface, lay the monitor on a soft cloth spread on a stable surface with the panel surface facing down.
2. Raise the lever on the bottom of the stand base.



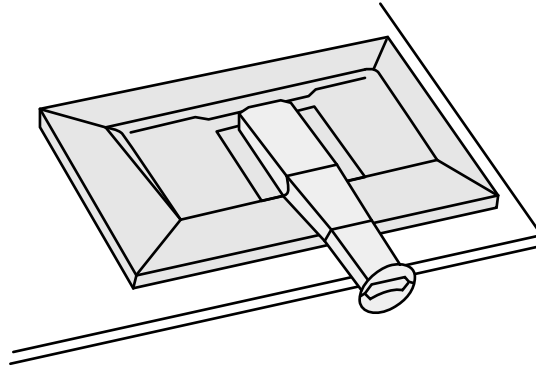
3. Turn the stand base in the counterclockwise direction to detach it.



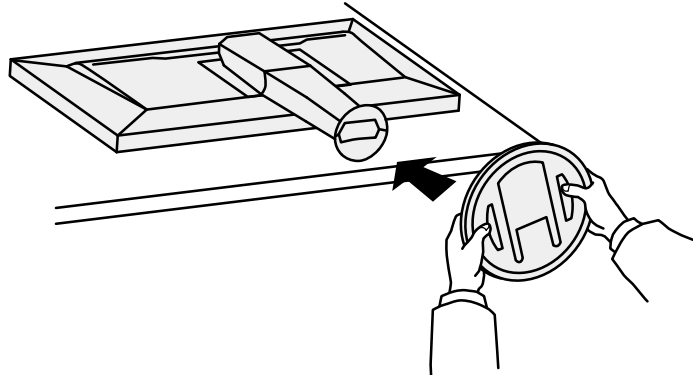
Attachment procedure

The detached stand base can be attached to the monitor again with the following procedures.

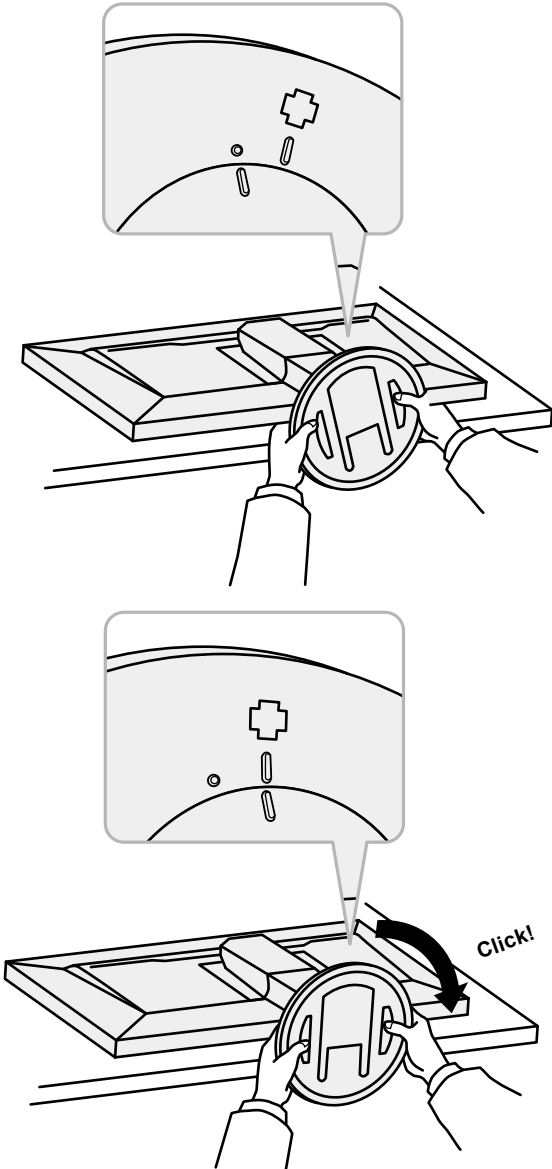
- 1. To prevent damaging the panel surface, lay the monitor on a soft cloth spread on a stable surface with the panel surface facing down.**



- 2. Attach the stand base onto the stand brace.**



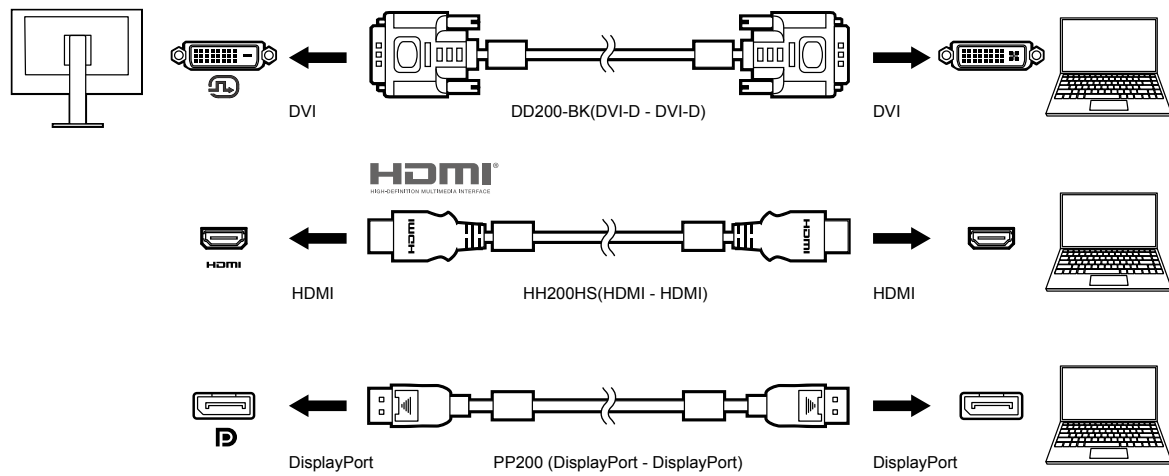
3. Turn the stand base clockwise until it makes a clicking sound.



6-5. Connecting Multiple External Devices

The product allows you to connect multiple external devices and switch between them for display.

Connection examples



Note

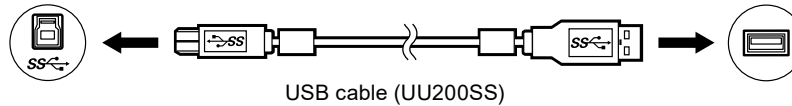
- The input signal changes each time the operation switch (**INPUT**) on the front of the monitor is touched. For more information, see ["2-2. Switching Input Signals" \(page 13\)](#).
- The connector through which signals are input is recognized automatically, and images are displayed on the screen accordingly. For more information, see ["Auto Input Detection" \(page 22\)](#).
- If the connector for your external device is a Thunderbolt 3/USB Type-C connector, use a USB Type-C - DisplayPort converter cable.

6-6. Making Use of the USB Hub Function

This monitor is equipped with a USB hub. It works as a USB hub when connected to a USB-compatible external device, allowing the connection of peripheral USB devices.

● Connection Procedure

1. Connect the USB cable between the USB downstream port of the external device and the USB upstream port of the monitor.



For the locations of the monitor's USB upstream port, see ["Rear" \(page 8\)](#).

2. Connect the peripheral USB device to the USB downstream port of the monitor.

Attention

- This monitor may not work depending on the used external device, OS or peripheral devices. For USB compatibility of peripheral devices, contact their manufactures.
- When the monitor is in power saving mode, devices connected to the USB downstream port will still work. Therefore, power consumption of the monitor varies depending on the connected devices, even in the power saving mode.
- When the main power switch of the monitor is off, a device connected to the USB downstream port will not operate.
- When the "USB CHARGE Port" setting in "Preferences" is set to "Charging Only", a peripheral device will not work if connected to the "CHARGE" port (see ["USB CHARGE Port" \(page 23\)](#)).
- Ensure that communication between all peripheral devices connected to the monitor and the external device is ended before switching the "USB CHARGE Port" setting. When the setting is switched, all communication will be temporarily interrupted.

Note

- This product supports USB 3.1 Gen 1. When connecting peripheral devices that support USB 3.1 Gen 1, high-speed data communication is possible (however, only when the USB cable used to connect the external device and peripheral device supports USB 3.1 Gen 1).
 - The "CHARGE" USB downstream port also supports quick charging. This allows you to recharge your smartphone or tablet in a short period of time.
 - If the connector for your external device is a Thunderbolt 3/USB Type-C connector, use a USB Type-C - Type-A converter cable.
-

6-7. Specifications

LCD Panel	Type	IPS (Anti-Glare)		
	Backlight	LED		
	Size	61.1 cm (24.1 inch)		
	Resolution	1920 dots x 1200 lines		
	Display Size (H x V)	518.4 mm x 324.0 mm		
	Pixel Pitch	0.270 mm x 0.270 mm		
	Pixel Density	94 ppi		
	Display Colors	Approx. 16.77 million colors (8 bit colors)		
	Viewing Angle (H x V, typical)	178° / 178°		
	Contrast Ratio (typical)	1000 : 1 (When "DUE Priority" setting is "Brightness")		
	Response Time (typical)	Gray-to-gray: 14 ms		
Color Gamut Display (typical)	sRGB coverage 100%, NTSC ratio 79%			
Video Signals	Input Terminals	DisplayPort 1.1a (HDCP 1.3 compatible) x 1, HDMI (HDCP 1.4, Deep Color compatible)*1 x 1, DVI (Single Link, HDCP 1.4 compatible) x 1 *1 Not compatible with HDMI CEC function (mutual control function).		
	Horizontal scan frequency	DisplayPort: 26 kHz to 78 kHz HDMI (Video mode): 15 kHz to 68 kHz HDMI (PC mode): 26 kHz to 78 kHz DVI: 26 kHz to 78 kHz		
	Vertical scan frequency	DisplayPort: 23 Hz to 63 Hz (For 720 x 400: 69 Hz to 71 Hz) HDMI (Video mode): 23 Hz to 61 Hz HDMI (PC mode): 23 Hz to 63 Hz HDMI (for 720 x 400): 69 Hz to 71 Hz DVI: 23 Hz to 63 Hz (For 720 x 400: 69 Hz to 71 Hz)		
	Frame Synchronization mode	23.75 Hz to 30.5 Hz, 47.5 Hz to 61.0 Hz		
	Dot clock (Max.)	164 MHz		
	USB	Port	Upstream	USB Type-B (USB3.1 Gen1) x 1
Downstream			USB Type-A (USB3.1 Gen1) x 3 (The "CHARGE" port supports quick recharging)	
Standard		USB Specification Revision 3.1 Gen 1		
Communication Speed		5 Gbps (super), 480 Mbps (high), 12 Mbps (full), 1.5 Mbps (low)		
Supply Current		Downstream	USB Type-A (USB3.1 Gen1): Maximum 900 mA per port USB Type-A ("CHARGE" Port): Normal: Maximum 1500 mA per port, Charging Only: Maximum 2100 mA per port	
Power		Input	100-240 VAC ±10 %, 50/60 Hz 0.60 A to 0.30 A	
	Maximum Power Consumption	57 W or less		
	Power Save Mode	0.7 W or less (this applies when the OS turns to sleep mode or when the monitor's power off setting is activated, if the monitor has DisplayPort input signal only, "Auto Input Detection" is set to "Off", no USB device is connected, and "USB CHARGE Port" is set to "Normal")		
	Standby Mode	0.6 W or less (when "Auto Input Detection" is set to "Off", no USB device is connected, "USB CHARGE Port" is set to "Normal", and "DP Power Save" is set to "On")		

Physical Specifications	Outside Dimensions	Minimum Height	554.4 mm x 396 mm x 245 mm (W x H x D) (Tilt: 0°)
		Maximum Height	554.4 mm x 558 mm x 265 mm (W x H x D) (Tilt: 35°)
	Outside Dimensions (Without Stand)		554.4 mm x 362 mm x 64 mm (W x H x D)
	Net Weight		Approx. 7.9 kg
	Net Weight (Without Stand)		Approx. 5.1 kg
	Height adjustment		155 mm (at tilt of 0°)
	Tilt		Up 35°, down 5°
	Swivel		344°
	Vertical rotation		90° clockwise
Operating Environment Requirements	Temperature		0°C to 35°C
	Humidity		20 % to 80 % R.H. (no condensation)
	Air Pressure		540 hPa to 1060 hPa
Transportation/ Storage Environment Requirements	Temperature		-20 °C to 60 °C
	Humidity		10 % to 90 % R.H. (no condensation)
	Air Pressure		200 hPa to 1060 hPa

● Accessories

For the latest information about the accessories, refer to our website (www.eizoglobal.com).

Appendix

Trademark

The terms HDMI and HDMI High-Definition Multimedia Interface, and the HDMI Logo are trademarks or registered trademarks of HDMI Licensing, LLC in the United States and other countries.

The DisplayPort Compliance Logo and VESA are registered trademarks of the Video Electronics Standards Association.

The SuperSpeed USB Trident Logo is a registered trademark of USB Implementers Forum, Inc.



The USB Power Delivery Trident Logos are trademarks of USB Implementers Forum, Inc.



DICOM is the registered trademark of the National Electrical Manufacturers Association for its standards publications relating to digital communications of medical information.

Kensington and Microsaver are registered trademarks of ACCO Brands Corporation.

Thunderbolt is a trademark of Intel Corporation in the United States and/or other countries.

Microsoft and Windows are registered trademarks of Microsoft Corporation in the United States and other countries.

Adobe is a registered trademark of Adobe Systems Incorporated in the United States and other countries.

Apple, macOS, Mac OS, OS X, Macintosh and ColorSync are registered trademarks of Apple Inc.

EIZO, the EIZO Logo, ColorEdge, CuratOR, DuraVision, FlexScan, FORIS, RadiCS, RadiForce, RadiNET, Raptor and ScreenManager are registered trademarks of EIZO Corporation in Japan and other countries.

ColorEdge Tablet Controller, ColorNavigator, EcoView NET, EIZO EasyPIX, EIZO Monitor Configurator, EIZO ScreenSlicer, G-Ignition, i•Sound, Quick Color Match, RadiLight, Re/Vue, SafeGuard, Screen Administrator, Screen InStyle, ScreenCleaner and UniColor Pro are trademarks of EIZO Corporation.

All other company names, product names, and logos are trademarks or registered trademarks of their respective companies.

License

The bitmap font used for this product is designed by Ricoh Industrial Solutions Inc.

Information for Radio Interference

For U.S.A., Canada Only

FCC Supplier's Declaration of Conformity

We, the Responsible Party

EIZO Inc.

5710 Warland Drive, Cypress, CA 90630

Phone: (562) 431-5011

declare that the product

Trade name: EIZO

Model: ColorEdge CS2410

is in conformity with Part 15 of the FCC Rules. Operation of this product is subject to the following two conditions: (1) this device may not cause harmful interference, and (2) this device must accept any interference received, including interference that may cause undesired operation.

This equipment has been tested and found to comply with the limits for a Class B digital device, pursuant to Part 15 of the FCC Rules. These limits are designed to provide reasonable protection against harmful interference in a residential installation. This equipment generates, uses, and can radiate radio frequency energy and, if not installed and used in accordance with the instructions, may cause harmful interference to radio communications. However, there is no guarantee that interference will not occur in a particular installation. If this equipment does cause harmful interference to radio or television reception, which can be determined by turning the equipment off and on, the user is encouraged to try to correct the interference by one or more of the following measures.

- * Reorient or relocate the receiving antenna.
- * Increase the separation between the equipment and receiver.
- * Connect the equipment into an outlet on a circuit different from that to which the receiver is connected.
- * Consult the dealer or an experienced radio/TV technician for help.

Changes or modifications not expressly approved by the party responsible for compliance could void the user's authority to operate the equipment.

Note

Use the attached specified cable below or EIZO signal cable with this monitor so as to keep interference within the limits of a Class B digital device.

- AC Cord
- Shielded Signal Cable (enclosed)

Canadian Notice

This Class B information technology equipment complies with Canadian ICES-003.
Cet équipement informatique de classe B est conforme à la norme NMB-003 du Canada.

