



# User's Manual

## FlexScan® S1503-A

Color LCD Monitor

### Important

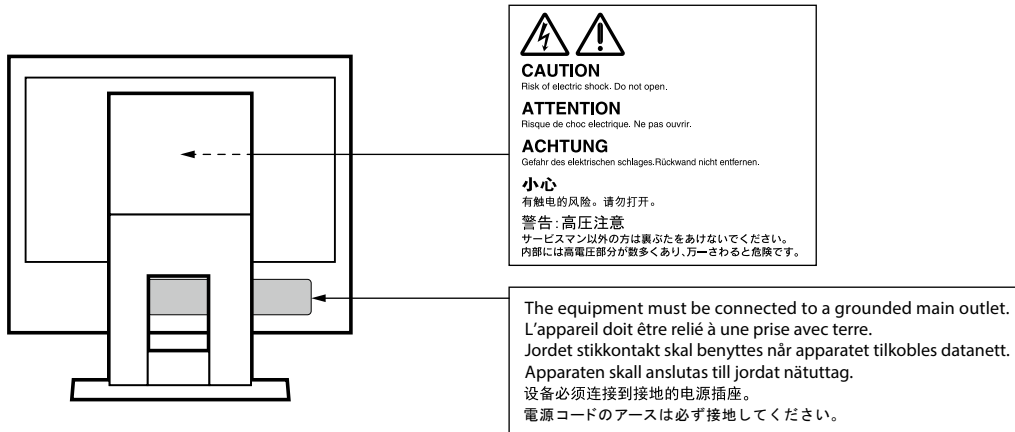
Please read this "User's Manual", and "PRECAUTIONS" (separate volume) carefully to familiarize yourself with safe and effective usage.

- 
- Refer to the "Setup Guide" for information on the installation / connection of the monitor.
  - For the latest product information including the "User's Manual", refer to our web site :

<http://www.eizoglobal.com>

---

## Location of Caution Statement



This product has been adjusted specifically for use in the region to which it was originally shipped. If operated outside this region, the product may not perform as stated in the specifications.

No part of this manual may be reproduced, stored in a retrieval system, or transmitted, in any form or by any means, electronic, mechanical, or otherwise, without the prior written permission of EIZO Corporation. EIZO Corporation is under no obligation to hold any submitted material or information confidential unless prior arrangements are made pursuant to EIZO Corporation's receipt of said information. Although every effort has been made to ensure that this manual provides up-to-date information, please note that EIZO monitor specifications are subject to change without notice.

# Notice for this monitor

---

This product is suited to general purposes like creating documents, viewing multimedia content (Assuming usage of approximately 12 hours per day).

If using this product for the following kinds of applications, where an extremely high degree of reliability and safety is required, then measures should be in place to maintain safety while using this product.

- Transportation equipment (ships, aircraft, trains, and automobiles)
- Safety devices (Disaster prevention systems, security control systems, etc.)
- Life-critical devices (medical devices, such as life-support devices and operating room devices)
- Nuclear energy control devices (Nuclear energy control systems, security control systems of nuclear facilities, etc.)
- Major system communication devices (operation control systems of transportation systems, air traffic control systems, etc.)

---

This product has been adjusted specifically for use in the region to which it was originally shipped. If the product is used outside the region, it may not operate as specified in the specifications.

---

This product may not be covered by warranty for uses other than those described in this manual.

---

The specifications noted in this manual are only applicable when the following are used:

- Power cords provided with the product
- Signal cables specified by us

---

Only use optional products manufactured or specified by us with this product.

---

If you place this product on a lacquer-coated desk, the color may adhere to the bottom of the stand due to the composition of the rubber. Check the desk surface before use.

---

It takes about 30 minutes (under our measurement conditions) for the monitor display to stabilize. Please wait 30 minutes or more after the monitor power has been turned on, and then adjust the monitor.

---

Monitors should be set to a lower brightness to reduce changes in luminosity caused by long-term use and maintain a stable display.

---

When the screen image is changed after displaying the same image for extended periods of time, an afterimage may appear. Use the screen saver or power save function to avoid displaying the same image for extended periods of time. Depending on the image, an afterimage may appear even if it was displayed for a short period of time. To remove such a phenomenon, change the image or keep the power turned off for several hours.

---

If the monitor displays continuously over a long period of time, dark smudges or burn-in may appear. To maximize the life of the monitor, we recommend the monitor be turned off periodically.

---

Periodic cleaning is recommended to keep the monitor looking new and to prolong its operation lifetime (refer to [“Cleaning” \(page 4\)](#)).

---

The LCD panel is manufactured using high-precision technology. Although, missing pixels or lit pixels may appear on the LCD panel, this is not a malfunction. Percentage of effective dots: 99.9994 % or higher.

---

The backlight of the LCD panel has a fixed lifetime. Depending on the usage pattern, such as usage for long continuous periods, the lifespan of the backlight may run out sooner, requiring replacement. When the screen becomes dark or begins to flicker, please contact your local EIZO representative.

---

Do not press on the LCD panel or edge of the frame strongly, as this may result in display malfunctions, such as interference patterns, etc. If pressure is continuously applied to the LCD panel surface, the liquid crystal may deteriorate or the LCD panel may be damaged. (If the pressure marks remain on the panel, leave the monitor with a black or white screen. The symptom may disappear.)

---

Do not scratch or press on the LCD panel with any sharp objects, at this may result in damage to the LCD panel. Do not attempt to brush with tissues as this may scratch the panel.

---

When the monitor is cold and brought into a room or the room temperature goes up quickly, dew condensation may occur on the interior and exterior surfaces of the monitor. In that case, do not turn the monitor on. Instead wait until the dew condensation disappears, otherwise it may cause some damage to the monitor.

---

---

## Cleaning

---

The stains on the cabinet and LCD panel surface can be removed by moistening part of a soft cloth with water.

### Attention

- Chemicals such as alcohol and antiseptic solution may cause gloss variation, tarnishing, and fading of the cabinet or LCD panel, and also quality deterioration of the image.
- Never use thinner, benzine, wax, or abrasive cleaner as they may damage the cabinet or LCD panel surface.

### Note

- It is recommended that ScreenCleaner (available as an option) be used to clean the cabinet and LCD panel surface.
- 

## To use the monitor comfortably

---

- An excessively dark or bright screen may affect your eyes. Adjust the brightness of the monitor according to the environmental conditions.
- Staring at the monitor for a long time tires your eyes. Take a 10-minute rest every hour.

# CONTENTS

<b>Notice for this monitor .....</b>	<b>3</b>	<b>Chapter 6 Reference .....</b>	<b>27</b>
Cleaning .....	4	6-1. Attaching the Optional Arm.....	27
To use the monitor comfortably .....	4	6-2. Connecting Multiple PCs .....	28
<b>CONTENTS.....</b>	<b>5</b>	6-3. Specifications .....	29
<b>Chapter 1 Introduction.....</b>	<b>6</b>	● Accessories.....	29
1-1. Controls and Functions .....	6	<b>Appendix.....</b>	<b>30</b>
● Front .....	6	Trademark .....	30
● Rear.....	7	License .....	30
1-2. Supported Resolutions .....	7	FCC Declaration of Conformity .....	31
● Analog Signal (D-Sub) Input .....	7		
● Digital Signal (DVI-D) Input.....	7		
1-3. Setting the Resolution .....	8		
● Windows 10.....	8		
● Windows 8.1 / Windows 7 .....	8		
● OS X Mountain Lion (10.8) or later.....	8		
● Mac OS X 10.7 .....	8		
<b>Chapter 2 Basic Adjustment/Setting.....</b>	<b>9</b>		
2-1. Switch Operation Method .....	9		
2-2. Switching Input Signals .....	10		
2-3. Switching Display Modes (Color Modes)...10			
● Display Modes.....	10		
2-4. Conserving Energy.....	10		
2-5. Adjusting Brightness .....	12		
2-6. Adjusting Volume.....	12		
<b>Chapter 3 Advanced Adjustment/Setting .....</b>	<b>13</b>		
3-1. Basic Operation of the Setting Menu .....	13		
3-2. Setting Menu Functions .....	14		
● Color Adjustment.....	14		
● Signal Settings .....	17		
● Preference Settings .....	19		
● Language .....	20		
● Information .....	20		
<b>Chapter 4 Administrator Settings.....</b>	<b>21</b>		
4-1. Basic Operation of the “Administrator Settings” Menu .....	21		
4-2. Functions of the “Administrator Settings” Menu .....	22		
<b>Chapter 5 Troubleshooting.....</b>	<b>23</b>		
5-1. No Picture .....	23		
5-2. Imaging Problems (For Both Digital and Analog).....	24		
5-3. Imaging Problems (For Analog Only) .....	25		
5-4. Other Problems .....	26		

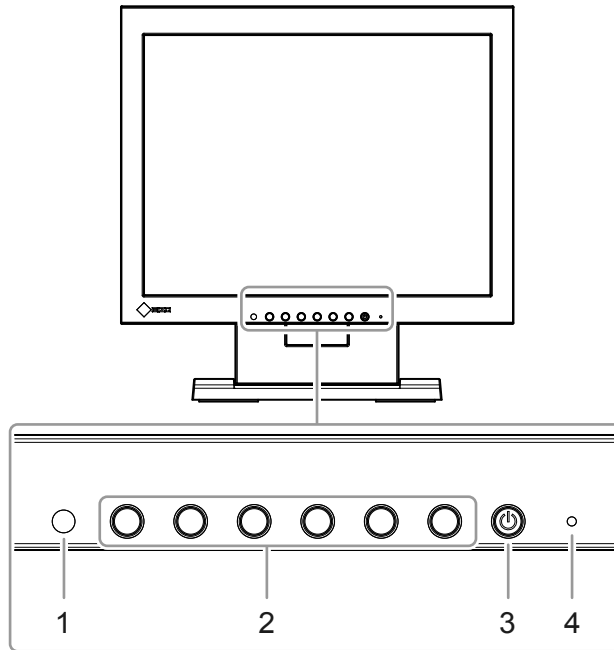
# Chapter 1 Introduction

Thank you very much for choosing an EIZO color LCD monitor.

This chapter provides the names of the components and the resolution of the monitor.

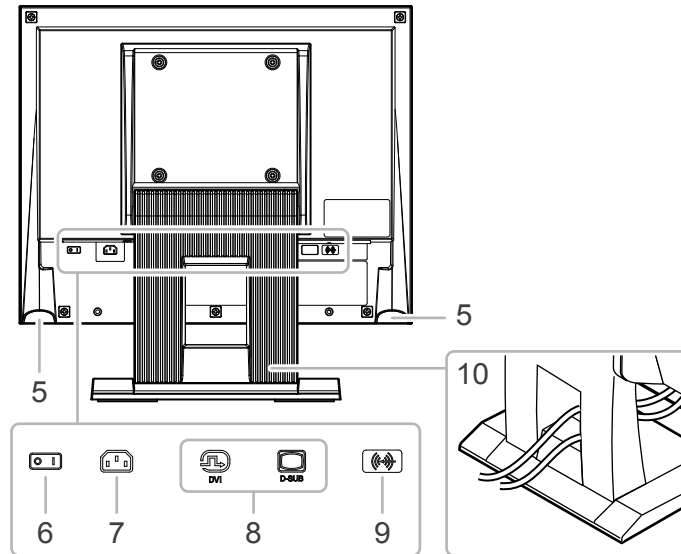
## 1-1. Controls and Functions

### ● Front



<b>1. Ambient light sensor</b>	Detects ambient brightness (Auto EcoView function ( <a href="#">page 11</a> )).
<b>2. Operation switches</b>	Displays menus. Operate the switches according to the operation guide ( <a href="#">page 13</a> ).
<b>3. Power switch</b>	Turns the power on or off.
<b>4. Power indicator</b>	Indicates the monitor's operation status. White: Screen display Orange: Power saving mode OFF: Power off

## ● Rear



<b>5. Speakers</b>	Outputs audio.
<b>6. Main power switch</b>	Turns the main power on or off.   : On ○ : Off
<b>7. Power connector</b>	Connects the power cord.
<b>8. Input signal connectors</b>	Left: DVI-D connector / Right: D-Sub mini 15-pin connector
<b>9. Analog audio input connector</b>	Outputs external audio from the monitor.
<b>10. Stand<sup>*1</sup></b>	Used to adjust the angle (tilt) of the monitor screen.

<sup>\*1</sup> An optional arm (or optional stand) can be attached by removing the stand section (see "6-1. Attaching the Optional Arm" (page 27)).

## 1-2. Supported Resolutions

The monitor supports the following resolutions.

### ● Analog Signal (D-Sub) Input

Resolution	Applicable Signal	Vertical Scan Frequency	Dot Clock
640 x 480	VGA	60Hz	65MHz (Max.)
720 x 400	VGA TEXT	70Hz	
800 x 600	VESA	Up to 60Hz	
1024 x 768 <sup>*1</sup>	VESA	60Hz	

### ● Digital Signal (DVI-D) Input

Resolution	Applicable Signal	Vertical Scan Frequency	Dot Clock
640 x 480	VGA	60Hz	65MHz (Max.)
720 x 400	VGA TEXT	70Hz	
800 x 600	VESA	60Hz	
1024 x 768 <sup>*1</sup>	VESA	60Hz	

<sup>\*1</sup> Recommended resolution

## 1-3. Setting the Resolution

If the resolution is incorrect after connecting the monitor to a PC or if you want to change the resolution, follow the procedure below.

### ● Windows 10

1. Right-click the mouse anywhere on the desktop except on icons.
2. From the displayed menu, click "Display Settings".
3. On the "Customize your display" dialog box, click "Advanced display settings".
4. Select a monitor, then choose a resolution from the "Resolution" pull-down menu.
5. Click the "Apply" button.
6. When a confirmation dialog box is displayed, click "Keep changes".

### ● Windows 8.1 / Windows 7

1. For Windows 8.1, click the "Desktop" tile on the Start Screen to display the desktop.
2. Right-click the mouse anywhere on the desktop except on icons.
3. From the displayed menu, click "Screen resolution".
4. Select a monitor, then choose a resolution from the "Resolution" pull-down menu.
5. Click the "OK" button.
6. When a confirmation dialog box is displayed, click "Keep changes".

### ● OS X Mountain Lion (10.8) or later

1. Select "System Preferences" from the Apple menu.
2. When the "System Preferences" dialog box is displayed, click "Displays". (For OS X Mountain Lion (10.8), click "Displays" for "Hardware".)
3. On the displayed dialog box, select the "Display" tab, then choose "Change" for "Resolutions".
4. The list of selectable resolutions is displayed. Select the desired resolution. If the desired resolution is not displayed in the list, hold down the Option key and select "Change".
5. Your selection will be reflected immediately. When you are satisfied with the selected resolution, close the window.

### ● Mac OS X 10.7

1. Select "System Preferences" from the Apple menu.
2. When the "System Preferences" dialog box is displayed, click "Displays" for "Hardware".
3. On the displayed dialog box, select the "Display" tab and select the desired resolution in the "Resolutions" field.
4. Your selection will be reflected immediately. If you are satisfied with the selected resolution, close the window.



# Chapter 2 Basic Adjustment/Setting

This monitor enables users to change the brightness according to personal preference or to suit the usage environment and reduce power consumption to conserve energy.

This chapter describes the basic functions that can be adjusted and set using the switches on the front of the monitor.

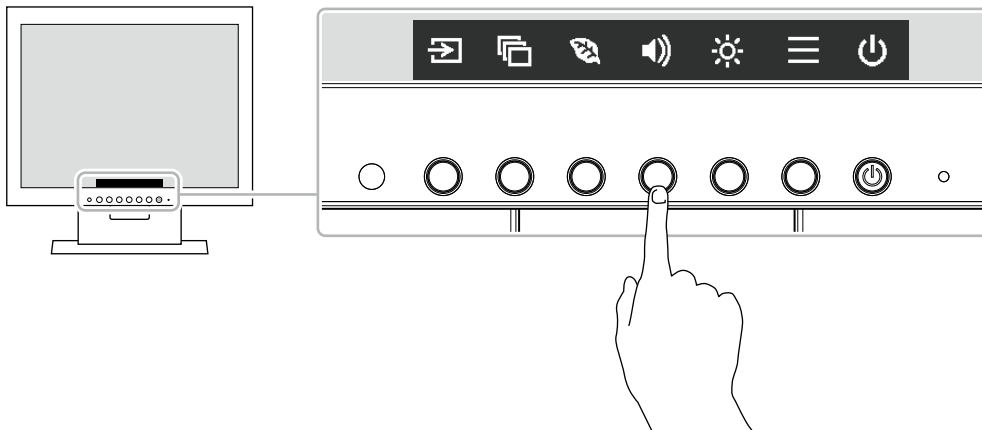
For advanced adjustment and setting procedures using the Setting menu, see “[Chapter 3 Advanced Adjustment/Setting](#)” (page 13).

## 2-1. Switch Operation Method

### 1. Displaying the operation guide

1. Press any switch (except .




The operation guide appears on the screen.



### 2. Adjusting/setting


1. Press a switch for adjustment/setting.

The Adjustment/Setting menu appears.

(A submenu may also be displayed. In this case, select the item for adjustment/setting using   and select .)

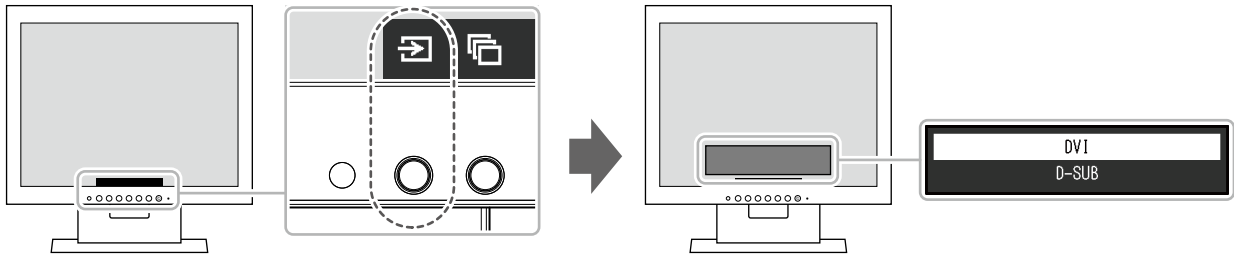
2. Perform adjustment/setting with the switches and select  to accept the changes.

### 3. Exiting

1. Select  to exit the menu.
2. When no menu is displayed, the operation guide will automatically disappear after a few seconds if no switches are operated.

## 2-2. Switching Input Signals

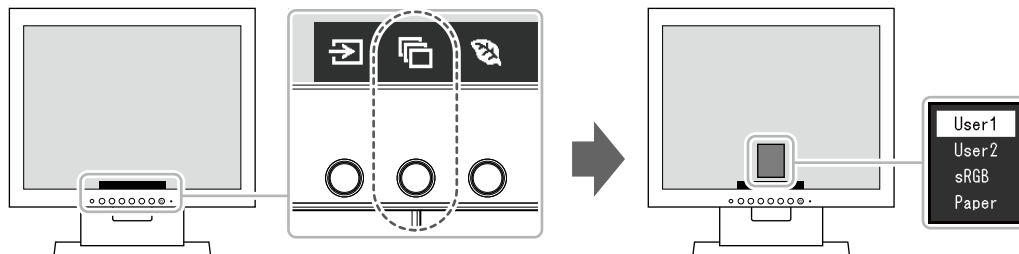
When a monitor has multiple signal inputs, the signal to display on-screen can be changed.



## 2-3. Switching Display Modes (Color Modes)

This product is preinstalled with color modes for various display purposes.

Switch the mode according to the purpose and content for display. This allows the monitor to display images in a manner appropriate to the display content.



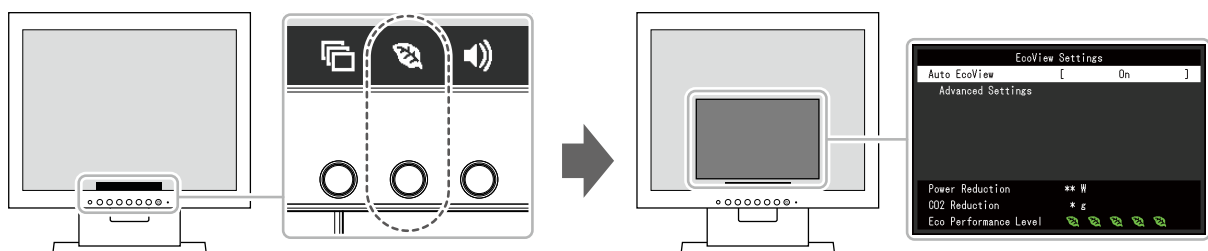
### ● Display Modes

Color Mode	Purpose
User1 User2	Select either of these modes to set a user-defined display mode.
sRGB	This mode is suitable for matching color reproduction with peripheral devices that support sRGB, such as when printing photos taken using a digital camera.
Paper	This mode uses color tones and contrast similar to that of paper to produce a printed paper effect. It is suitable for displaying images from media such as books and documents.

## 2-4. Conserving Energy


This monitor is equipped with EcoView functions to enable users to conserve energy.

Use this function to curtail unnecessary power consumption and save on electricity expenses. Saving power also reduces carbon dioxide emissions.



**Note**

- The power saving level (Power Reduction, CO<sub>2</sub> Reduction, and Eco Performance Level) can be checked on the “EcoView Settings” menu. The more indicators that light up representing the Eco Performance Level, the higher the power saving level attained.
  - Power Reduction: the reduction in the backlight’s power consumption as a result of the adjusted brightness value.
  - CO<sub>2</sub> Reduction: converted from the “Power Reduction” value, this is an estimate of the quantity of CO<sub>2</sub> emissions reduced when using the monitor for 1 hour.
- The numeric value is a result of calculation based on a default setting (0.000555t-CO<sub>2</sub>/kWh) determined by a Japanese ministerial ordinance (2006, Ministry of Economy, Trade and Industry, Ministry of Environment, civil code article 3) and may differ depending on country and year.

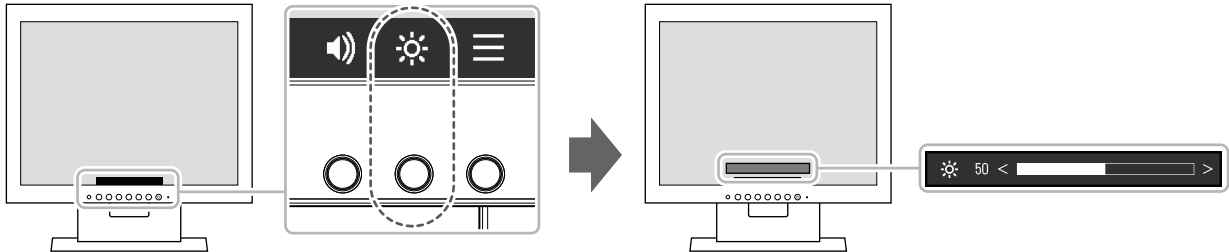
Function			Description
Auto EcoView			<p>The ambient light sensor on the front of the monitor detects the ambient brightness to automatically adjust the screen brightness to a comfortable level using the Auto EcoView function. The power consumption of the backlight can be curtailed by adjusting the brightness to an appropriate level.</p> <p>This function can also mitigate eye strain and tiredness caused by a screen that is too bright or too dark.</p> <p>Use the “Advanced Settings” to set the automatic adjustment range to suit the monitor’s usage environment or personal preference.</p> <p>Setting Range: On, Off</p> <p><b>Note</b></p> <ul style="list-style-type: none"> <li>• Be careful not to block the ambient light sensor on the lower side of the monitor when using the Auto EcoView function.</li> <li>• Even when the Auto EcoView setting is “On”, the  operation switch on the front of the monitor or color adjustment can be used to change the “Brightness” to suit your personal preference. Moreover, the manner in which the Auto EcoView function changes brightness also differs according to the changed value.</li> </ul>
Advanced Settings	Maximum Minimum	Brightness	<p>Set the range for automatic brightness adjustment.</p> <p>By setting the maximum value and minimum value of the adjustment range in advance, the brightness will be adjusted automatically within the set range.</p> <p>Setting Range: 0 to 100</p> <p><b>Note</b></p> <ul style="list-style-type: none"> <li>• The maximum and minimum brightness values cannot be set to the same value.</li> </ul>
		Ambient Light	<p>Using the default setting is recommended. (Default setting: “Bright” for maximum value, “Dark” for minimum value)</p> <p>Setting Range: Bright, Dark, Standard</p> <p><b>Note</b></p> <ul style="list-style-type: none"> <li>• For details on the “Ambient Light” setting, refer to our web site (<a href="http://www.eizoglobal.com">http://www.eizoglobal.com</a>).</li> </ul>
	Reset	Return the advanced settings to their default values.	

## 2-5. Adjusting Brightness

The brightness of the screen can be adjusted to suit the installation environment or personal preference. The screen brightness is adjusted by changing the brightness of the backlight (light source from the LCD back panel).

### Setting Range

0 to 100



### Note

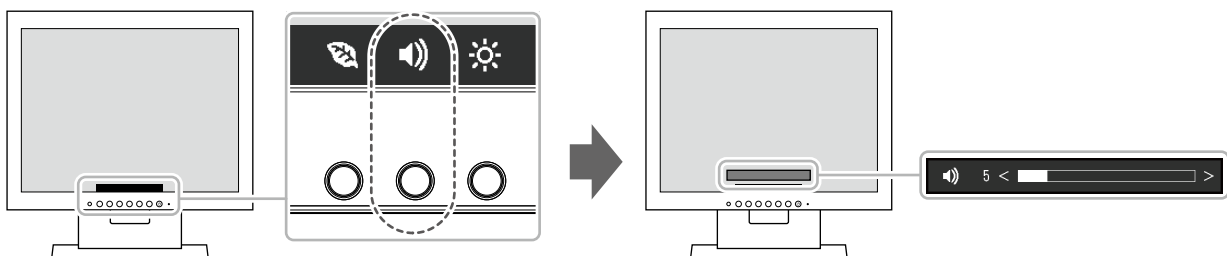
- When Auto EcoView is set to “On”, the adjustment range is restricted as follows. (For details on Auto EcoView, see “Auto EcoView” (page 11).)
  - The brightness setting cannot be increased or decreased past the maximum and minimum brightness values specified in the advanced settings of Auto EcoView.
  - Brightness may not be adjusted when the installation environment of the monitor is excessively bright or dark.

## 2-6. Adjusting Volume

The volume of the speakers can be set.

### Setting Range

0 to 30



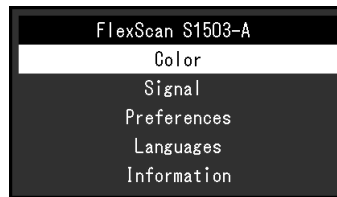
# Chapter 3 Advanced Adjustment/Setting

This chapter describes the advanced monitor adjustment and setting procedures using the Setting menu. For basic functions, see “Chapter 2 Basic Adjustment/Setting” (page 9).

## 3-1. Basic Operation of the Setting Menu

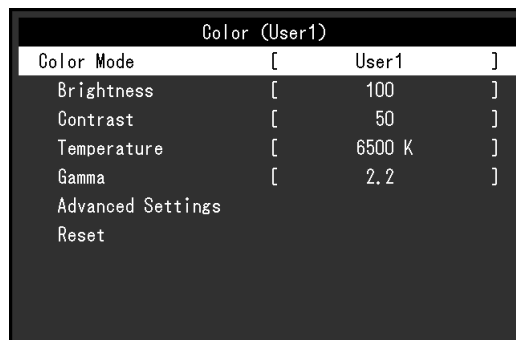
### 1. Menu display

1. Press any switch (except  $\odot$ ).  
The operation guide appears.
2. Select  $\equiv$ .  
The Setting menu appears.



### 2. Adjusting/setting

1. Select a menu to adjust/set with  $\wedge$   $\vee$  and select  $\checkmark$ .  
The Sub menu appears.



2. Select an item to adjust/set with  $\wedge$   $\vee$  and select  $\checkmark$ .  
The Adjustment/Setting menu appears.



3. Perform adjustment/setting with  $\wedge$   $\vee$  or  $\leftarrow$   $\rightarrow$  and select  $\checkmark$  to accept the changes.  
The Sub menu appears.  
Selecting  $\times$  during adjustment/setting will cancel the adjustment/setting and restore the state prior to making changes.

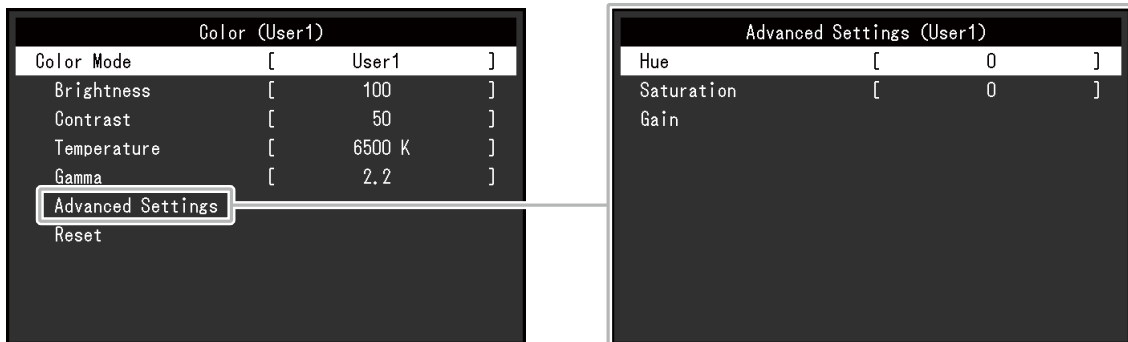
### 3. Exiting

1. Selecting  $\times$  several times will terminate the Setting menu.

## 3-2. Setting Menu Functions

### ● Color Adjustment

The color mode setting status can be adjusted according to personal preference.



#### Attention

- It takes about 30 minutes for the performance of electrical parts to stabilize. Please wait 30 minutes or more after power to the monitor has been turned on before adjusting the monitor.
- The same image may be observed in different colors on multiple monitors due to monitor-specific characteristics. Make fine color adjustments visually when matching colors across multiple monitors.

Functions that can be adjusted differ depending on the color mode.

√: Adjustable -: Not adjustable

Function	Color Mode			Description
	User1 User2	sRGB	Paper	
Color Mode	√	√	√	<p>Select the desired mode according to the monitor application.</p> <p>The color setting status can also be adjusted according to personal preference. Select the mode for adjustment and perform adjustment using the relevant functions.</p> <p>Setting Range: User1, User2, sRGB, Paper</p> <p><b>Note</b></p> <ul style="list-style-type: none"> <li>• For details on the adjustment status of each mode, see “2-3. Switching Display Modes (Color Modes)” (page 10).</li> </ul>
Brightness	√	√	√	<p>The screen brightness is adjusted by changing the brightness of the backlight (light source from the LCD back panel).</p> <p>Setting Range: 0 to 100</p> <p><b>Note</b></p> <ul style="list-style-type: none"> <li>• If the image is too dark even when the brightness is set to 100, adjust the contrast.</li> </ul>

Function	Color Mode			Description
	User1 User2	sRGB	Paper	
Contrast	√	-	-	<p>The brightness of the screen is adjusted by varying the video signal level.</p> <p>Setting Range: 0 to 100</p> <p><b>Note</b></p> <ul style="list-style-type: none"> <li>• A contrast of 50 displays every color gradation.</li> <li>• When adjusting the monitor, it is recommended to perform brightness adjustment, which does not lose gradation characteristics, prior to contrast adjustment.</li> <li>• Perform contrast adjustment in the following cases. <ul style="list-style-type: none"> <li>- If the image is too dark even when the brightness is set to 100 (Set the contrast to higher than 50.)</li> </ul> </li> </ul>
Temperature	√	-	√	<p>Adjust the color temperature.</p> <p>The color temperature is normally used to express the hue of "White" and/or "Black" with a numerical value. The value is expressed in degrees "K" (Kelvin).</p> <p>The screen becomes reddish at low color temperatures and bluish at high color temperatures, similar to the temperatures of a flame. A gain preset value is set for each color temperature setting value.</p> <p>Setting Range: Off, 4000 K to 10000 K (in increments of 500 K. 9300 K is included.)</p> <p><b>Note</b></p> <ul style="list-style-type: none"> <li>• The value shown in "K" is available only as a reference.</li> <li>• "Gain" allows you to perform more advanced adjustment.</li> <li>• If set to "Off", the image is displayed in the preset color of the LCD panel (Gain: 100 for each RGB channel).</li> <li>• When the gain is changed, the color temperature setting changes to "Off".</li> </ul>
Gamma	√	-	-	<p>Adjust the gamma.</p> <p>While the brightness of the monitor varies depending on the input signal, the variation rate is not proportional to the input signal. Maintaining the balance between the input signal and brightness of the monitor is referred to as "Gamma correction".</p> <p>Setting Range: 1.8, 2.0, 2.2, 2.4</p> <p><b>Note</b></p> <ul style="list-style-type: none"> <li>• If "Paper" is selected for the color mode, "Paper" is displayed for the gamma value.</li> </ul>

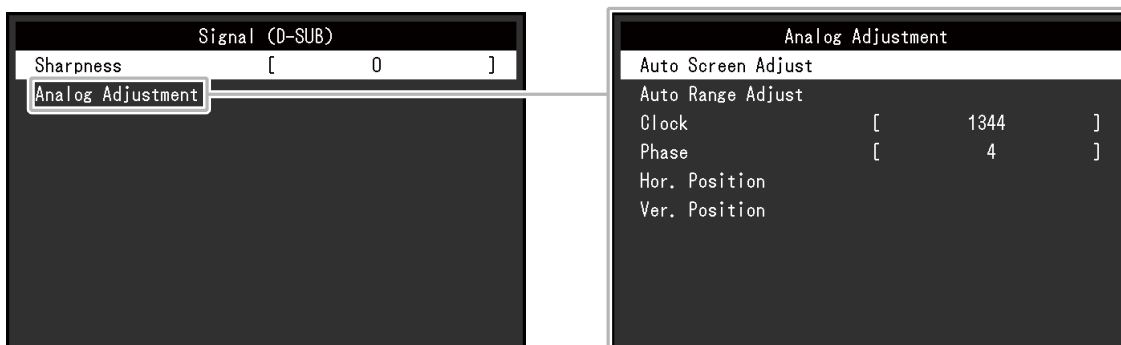
√: Adjustable -: Not adjustable

Function		Color Mode			Description
		User1 User2	sRGB	Paper	
Advanced Settings	Hue	√	-	-	Adjust the hue.  Setting Range: -50 to 50 <b>Note</b> <ul style="list-style-type: none"> <li>Using this function may prevent some color gradations from being able to be displayed.</li> </ul>
	Saturation	√	-	-	Adjust the color saturation.  Setting Range: -50 to 50 <b>Note</b> <ul style="list-style-type: none"> <li>Using this function may prevent some color gradations from being able to be displayed.</li> <li>The minimum value (-50) changes the screen to monochrome.</li> </ul>
	Gain	√	-	-	The brightness of each red, green, and blue color component is referred to as "Gain". The hue of "white" can be changed by adjusting the gain.  Setting Range: 0 to 100 <b>Note</b> <ul style="list-style-type: none"> <li>Using this function may prevent some color gradations from being able to be displayed.</li> <li>The gain value changes according to the color temperature.</li> <li>When the gain is changed, the color temperature setting changes to "Off".</li> </ul>
Reset		√	√	√	Reset any color adjustments for the currently selected color mode back to the default settings.



## ● Signal Settings


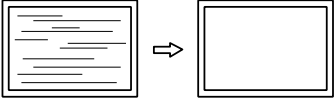
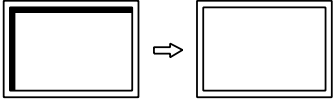
Set the method for outputting the signal input from the PC to the monitor.



The setting range of each function differs depending on the input signal.

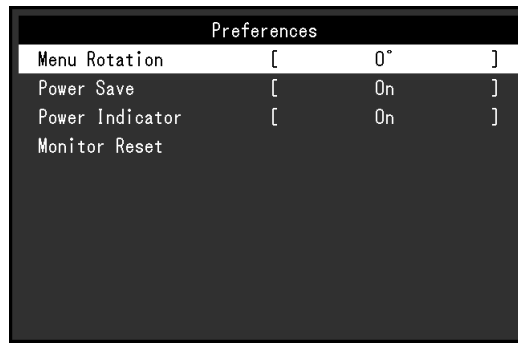
√: Settable - : Not settable

Function	Input Signal		Description
	DVI	D-Sub	
Sharpness	√	√	<p>When an image is displayed in low resolution, text or lines in the displayed image may be blurred. This function reduces this blurring effect.</p> <p>Setting Range: -2 to 2</p> <p><b>Note</b></p> <ul style="list-style-type: none"> <li>The sharpening setting may not be required depending on the display resolution. ("Sharpness" cannot be selected in such cases.)</li> </ul>
Analog Adjustment	-	√	<p>Screen flickering, display position, and size can be adjusted automatically. Selecting "Auto Screen Adjust" displays a message. Select "Yes" to enable this function.</p> <p><b>Note</b></p> <ul style="list-style-type: none"> <li>The automatic screen adjustment function works correctly when an image is fully displayed over the entire displayable area of the screen. It does not work properly in the following cases: <ul style="list-style-type: none"> <li>When an image is only displayed on part of the screen (command prompt window, for example)</li> <li>When a black background (wallpaper, etc.) is used</li> </ul> </li> <li>Also, this function may not work properly with some graphic boards.</li> <li>When a signal is input into the monitor for the first time or when a resolution or vertical/horizontal scan frequency not used before is set, the self adjustment function will activate automatically (only for signals with a resolution of 800×600 (SVGA) or higher).</li> </ul>
		√	<p>Every color gradation (0 to 255) can be displayed by automatically adjusting the signal output level. Selecting "Auto Range Adjust" displays a message. Select "Yes" to enable this function.</p>

Function		Input Signal		Description
		DVI	D-Sub	
	Clock	-	√	<p>Flickering of vertical lines on the screen or part of the screen can be reduced.</p>  <p><b>Note</b></p> <ul style="list-style-type: none"> <li>Use the operation switches (&lt; &gt;) to make fine adjustments so as not to miss any adjustment points.</li> </ul>
	Phase	-	√	<p>Flickering and blurring over the entire screen can be reduced.</p>  <p><b>Note</b></p> <ul style="list-style-type: none"> <li>Flickering and blurring may not be completely eliminated depending on your PC or graphics board.</li> <li>After setting, adjust the "Clock" again if vertical bars appear.</li> </ul>
	Hor. Position Ver. Position	-	√	<p>The display position (horizontal and vertical) of the screen can be adjusted.</p>  <p><b>Note</b></p> <ul style="list-style-type: none"> <li>Since the number of pixels and pixel positions are fixed on the LCD monitor, only one position is provided to display images correctly. Position adjustment is made to shift an image to the correct position.</li> </ul>

## ● Preference Settings

The monitor's settings can be configured to suit the usage environment or personal preference.



Function	Description
Menu Rotation	<p>Change the orientation of the Setting menu when using the monitor screen in the portrait display position.</p> <p>Setting Range: 0°, 90°</p> <p><b>Note</b></p> <ul style="list-style-type: none"> <li>When using the monitor screen in a portrait position, a graphics board that supports portrait display is required. When placing the monitor in a portrait position, the settings of your graphics board need to be changed. Refer to the User's Manual of the graphics board for details. Also refer to our web site (<a href="http://www.eizoglobal.com">http://www.eizoglobal.com</a>).</li> </ul>
Power Save	<p>The monitor can be set to enter power saving mode according to the state of the PC. The monitor changes to power saving mode about 15 seconds after signal input ceases to be detected.</p> <p>When the monitor has shifted to power saving mode, images are not displayed on the screen.</p> <ul style="list-style-type: none"> <li>Exiting power saving mode <ul style="list-style-type: none"> <li>If the monitor receives input, it automatically exits power saving mode and returns to the normal display mode.</li> </ul> </li> </ul> <p>Setting Range: On, Off</p> <p><b>Note</b></p> <ul style="list-style-type: none"> <li>At the time of shifting to power saving mode, a message that indicates the transition is displayed 5 seconds in advance.</li> <li>When not using the monitor, you can turn off the main power supply or disconnect the power plug so that the power is cut completely.</li> <li>Power consumption varies even when the stereo mini jack cable is connected.</li> </ul>
Power Indicator	<p>The power indicator (white) can be turned off during screen display.</p> <p>Setting Range: On, Off</p>
Monitor Reset	<p>Restore all settings to their default values except for the following settings.</p> <ul style="list-style-type: none"> <li>Settings on the "Administrator Settings" menu</li> </ul> <p><b>Note</b></p> <ul style="list-style-type: none"> <li>For details on the "Administrator Settings" menu, see "Chapter 4 Administrator Settings" (<a href="#">page 21</a>).</li> </ul>

## ● Language

The display language for menus and messages can be selected.

### Setting Range

English, Deutsch, Français, Español, Italiano, Svenska, Japanese, Simplified Chinese, Traditional Chinese



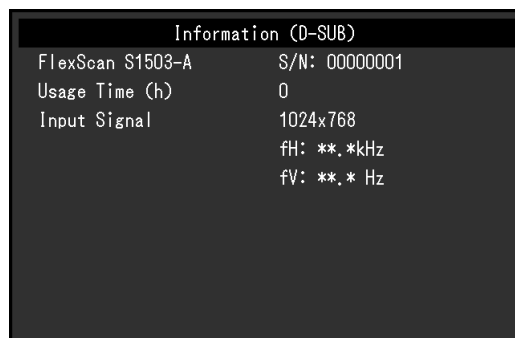
---

### **Attention**

- The display language of the “Administrator Settings” menu cannot be changed.
- 

## ● Information

Monitor information (product name, serial number, usage time, input signal, and resolution) can be checked.





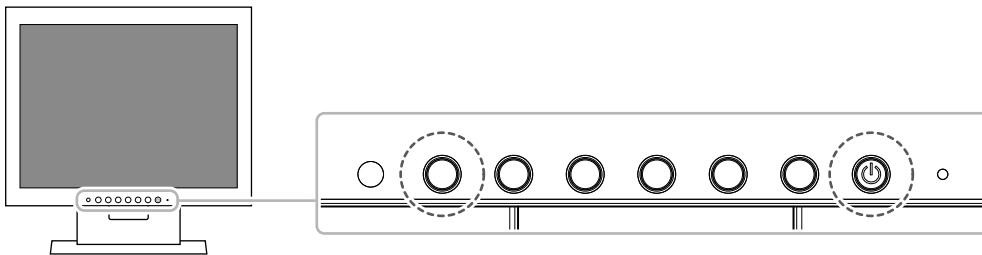
# Chapter 4 Administrator Settings

This chapter describes how to configure monitor operation using the “Administrator Settings” menu. This menu is for administrators. Configuration on this menu is not required for normal monitor use.

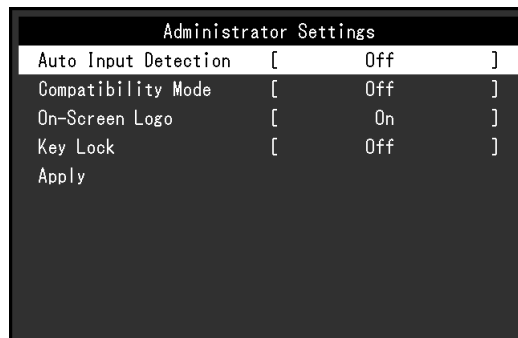
## 4-1. Basic Operation of the “Administrator Settings” Menu

### 1. Menu display




1. Press  to turn off the monitor.
2. While pressing the leftmost switch, press  for more than 2 seconds to turn on the monitor.



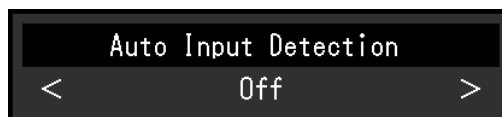
The “Administrator Settings” menu appears.



### 2. Setting

1. Select an item to set with   and select .

The Adjustment/Setting menu appears.



2. Set with   and select .

The “Administrator Settings” menu appears.

### 3. Applying and exiting

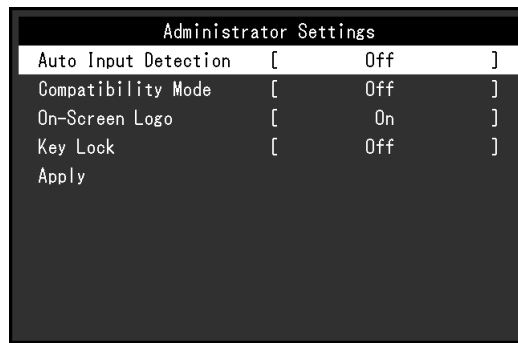
1. Select “Apply” and then .



The settings are applied and the “Administrator Settings” menu exits.

#### Attention

- The language (English) of the “Administrator Settings” menu cannot be changed.




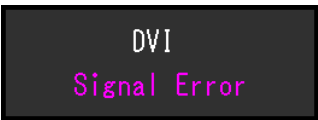
## 4-2. Functions of the “Administrator Settings” Menu









Function	Description
Auto Input Detection	<p>This product automatically recognizes the connector through which PC signals are input and displays images on the screen accordingly. When a PC is turned off or enters power saving mode, any other available signal is displayed automatically. When this function is set to “Off”, the monitor displays the signal from the selected connector regardless of whether a signal is input or not. In this case, select the input signal to display using the  operation switch on the front of the monitor.</p> <p>Setting Range: On, Off</p> <p><b>Note</b></p> <ul style="list-style-type: none"> <li>• This product automatically recognizes the connector through which PC signals are input, and displays images on the screen accordingly regardless of whether this function is set to On or Off just after the main power switch on the rear side of the monitor has been turned on.</li> <li>• When this function is set to “On”, the monitor only enters power saving mode after all connected PCs have entered power saving mode or have been switched off.</li> </ul>
Compatibility Mode	<p>Depending on the PC and graphics board, the input signal may not be detected and the monitor may not recover from power saving mode. If this happens, set this function to “On”.</p> <p>Setting Range: On, Off</p>
On-Screen Logo	<p>When the monitor is turned on, the EIZO logo appears on the screen. When this function is set to “Off”, the EIZO logo does not appear.</p> <p>Setting Range: On, Off</p>
Key Lock	<p>In order to prevent changes to settings, the operation switches on the front of the monitor can be locked.</p> <p>Setting Range: Off, Menu, All</p> <ul style="list-style-type: none"> <li>• “Off” Enables all switches.</li> <li>• “Menu” Locks the  switch.</li> <li>• “All” Locks all switches except the power switch.</li> </ul>

# Chapter 5 Troubleshooting

## 5-1. No Picture




Problem	Possible cause and remedy
<p><b>1. No picture.</b></p> <ul style="list-style-type: none"> <li>Power indicator does not light up.</li> </ul> <hr/> <ul style="list-style-type: none"> <li>Power indicator is lighting white.</li> </ul> <hr/> <ul style="list-style-type: none"> <li>Power indicator is lighting orange.</li> </ul>	<ul style="list-style-type: none"> <li>Check whether the power cord is connected properly.</li> <li>Turn on the main power switch on the rear side of the monitor.</li> <li>Press .</li> <li>Turn off the main power switch on the rear side of the monitor, and then turn it on again a few minutes later.</li> </ul> <hr/> <ul style="list-style-type: none"> <li>Increase “Brightness”, “Contrast”, or “Gain” in the Setting menu (see <a href="#">“Color Adjustment” (page 14)</a>).</li> </ul> <hr/> <ul style="list-style-type: none"> <li>Switch the input signal.</li> <li>Move the mouse or press any key on the keyboard.</li> <li>Check whether the PC is turned on.</li> <li>Depending on the PC and graphics board, the input signal may not be detected and the monitor may not recover from power saving mode. If the screen is not displayed by moving the mouse or pressing keys on the keyboard, perform the following procedure. This may resolve the problem.               <ol style="list-style-type: none"> <li>Press  to turn off the monitor.</li> <li>While pressing the leftmost switch, press  for more than 2 seconds. The “Administrator Settings” menu appears.</li> <li>Select “Compatibility Mode”.</li> <li>Select “On”.</li> <li>Select “Apply” and then <input checked="" type="checkbox"/>.</li> <li>Reboot the PC.</li> </ol> </li> </ul>
<p><b>2. The message below appears.</b></p> <hr/> <ul style="list-style-type: none"> <li>The message shows that the input signal is out of the specified frequency range. Example: </li> </ul>	<p>This message appears when the signal is not input correctly even though the monitor is functioning properly.</p> <hr/> <ul style="list-style-type: none"> <li>Check whether the PC is configured to meet the resolution and vertical scan frequency requirements of the monitor (see <a href="#">“1-2. Supported Resolutions” (page 7)</a>).</li> <li>Reboot the PC.</li> <li>Select an appropriate setting using the graphics board’s utility. Refer to the User’s Manual of the graphics board for details.</li> </ul>

## 5-2. Imaging Problems (For Both Digital and Analog)

Problem	Possible cause and remedy
<p><b>1. The screen is too bright or too dark.</b></p>	<ul style="list-style-type: none"> <li>Use “Brightness” or “Contrast” in the Setting menu to adjust it (see <a href="#">“Color Adjustment” (page 14)</a>). (The LCD monitor backlight has a limited life span. If the screen becomes dark or begins to flicker, contact your local EIZO representative.)</li> <li>If the screen is too bright, try changing the Auto EcoView setting to “On”. The monitor detects the ambient brightness to adjust the screen brightness automatically (see <a href="#">“Auto EcoView” (page 11)</a>).</li> </ul>
<p><b>2. Brightness changes on its own.</b></p>	<ul style="list-style-type: none"> <li>Try changing the Auto EcoView setting to “Off” (see <a href="#">“Auto EcoView” (page 11)</a>).</li> </ul>
<p><b>3. “Brightness” cannot be adjusted.</b></p> <p>• Cannot increase/decrease setting value (◀ or ▶ is displayed in gray)</p> <p>- “Brightness” menu via  operation switch</p>  <p>- “Brightness” menu in color adjustment</p>  <p>• Cannot increase/decrease setting value (◀ and ▶ are displayed in gray)</p> <p>- “Brightness” menu via  operation switch</p>  <p>- “Brightness” menu in color adjustment</p> 	<p>When Auto EcoView is set to “On”, “Brightness” may not be adjustable due to the advanced settings of Auto EcoView.</p> <ul style="list-style-type: none"> <li>The bright adjustment range of the Auto EcoView function can be limited to ensure that the screen is neither too bright nor too dark. When the adjustment range is limited, values outside the range cannot be set. If you want to set a value outside the range, try changing the following settings. <ul style="list-style-type: none"> <li>Change the maximum and minimum values for “Brightness” in the Auto EcoView advanced settings.</li> <li>Set Auto EcoView to “Off”.</li> </ul> For details on Auto EcoView settings, see <a href="#">“Auto EcoView” (page 11)</a>. </li> <li>Brightness adjustment may not be possible when the installation environment of the monitor is excessively bright or dark. In this case, try changing the following settings. <ul style="list-style-type: none"> <li>Change the maximum and minimum values for “Ambient Light” in the Auto EcoView advanced settings.</li> <li>Set Auto EcoView to “Off”.</li> </ul> For details on Auto EcoView settings, see <a href="#">“Auto EcoView” (page 11)</a>. </li> </ul>
<p><b>4. Text is blurred.</b></p>	<ul style="list-style-type: none"> <li>Check whether the PC is configured to meet the resolution and vertical scan frequency requirements of the monitor (see <a href="#">“1-2. Supported Resolutions” (page 7)</a>).</li> <li>When an image is displayed with a resolution other than recommended, text or lines in the displayed image may blur. In this case, try adjusting “Sharpness” in the Setting menu (see <a href="#">“Sharpness” (page 17)</a>).</li> </ul>
<p><b>5. Afterimages appear.</b></p>	<ul style="list-style-type: none"> <li>Afterimages are particular to LCD monitors. Avoid displaying the same image for a long time.</li> <li>Use the screen saver or power saving function to avoid displaying the same image for extended periods of time. Depending on the image, an afterimage may appear even if it was displayed for a short period of time. To remove such a phenomenon, change the image or keep the power turned off for several hours.</li> </ul>
<p><b>6. Green / red / blue / white / dark dots remain on the screen.</b></p>	<ul style="list-style-type: none"> <li>This is due to LCD panel characteristics and not a malfunction.</li> </ul>
<p><b>7. Interference patterns or pressure marks remain on the LCD panel.</b></p>	<ul style="list-style-type: none"> <li>Leave the monitor with a white or black screen. The symptom may disappear.</li> </ul>



## 5-3. Imaging Problems (For Analog Only)

Problem	Possible cause and remedy
<p>1. Display position is incorrect.</p> 	<ul style="list-style-type: none"><li>• Use “Position” in the Setting menu to correct the image position (see “<a href="#">Hor. Position</a>”, “<a href="#">Ver. Position</a>” (page 18)).</li><li>• If the problem persists, use the graphics board’s utility if available to change the display position.</li></ul>
<p>2. Vertical bars appear on the screen or a part of the image is flickering.</p> 	<ul style="list-style-type: none"><li>• Use “Clock” in the Setting menu to adjust it (see “<a href="#">Clock</a>” (page 18)).</li></ul>
<p>3. Whole screen is flickering or blurring.</p> 	<ul style="list-style-type: none"><li>• Use “Phase” in the Setting menu to adjust it (see “<a href="#">Phase</a>” (page 18)).</li></ul>

## 5-4. Other Problems

---

Problem	Possible cause and remedy
1. The Setting menu does not appear.	<ul style="list-style-type: none"><li>• Check whether the switch operation lock function is active (see <a href="#">“Key Lock” (page 22)</a>).</li></ul>
2. No audio output.	<ul style="list-style-type: none"><li>• Check whether the stereo mini jack cable is connected properly.</li><li>• Check whether volume is set to 0.</li><li>• Check the PC and audio playback software to see whether they are configured correctly.</li></ul>

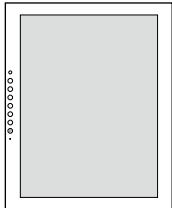

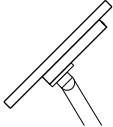
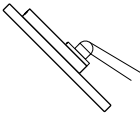
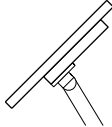
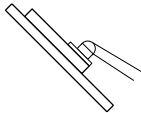
# Chapter 6 Reference

## 6-1. Attaching the Optional Arm

An optional arm (or an optional stand) can be attached by removing the stand section. Please refer to our web site for the supported optional arm (or optional stand). <http://www.eizoglobal.com>

**Attention**

- When attaching an arm or stand, follow the instructions of the respective User's Manual.
- When using another manufacturer's arm or stand, confirm the following in advance and select one conforming to the VESA standard. Use the screws securing the unit and the stand.
  - Clearance between screw holes: 75 mm × 75 mm or 100 mm × 100 mm
  - Plate thickness: 2.6 mm
  - Strong enough to support weight of the monitor unit (excluding the stand) and attachments such as cables.
- When attaching an arm or stand, the installable orientations and movement range (tilt angle) are as follows:

Orientation				
Movement range (tilt angle)	 <p>Up: 45°</p>	 <p>Down: 45°</p>	 <p>Up: 45°</p>	 <p>Down: 45°</p>

- Connect the cables after attaching an arm or stand.
- The monitor, arm, and stand are heavy. Dropping them may result in injury or equipment damage.

## Attachment procedure

**1. Lay the LCD panel on a soft cloth spread over a stable and flat surface with the LCD panel surface facing down.**

**2. Remove the stand.**

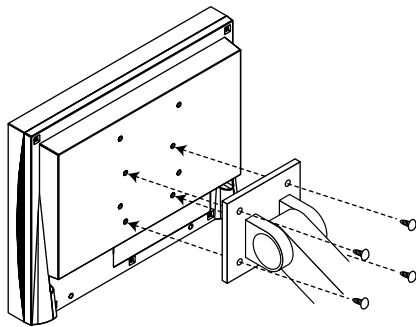
Prepare a screwdriver.

Use the screwdriver to loosen the screws (four) that secure the unit to the stand.

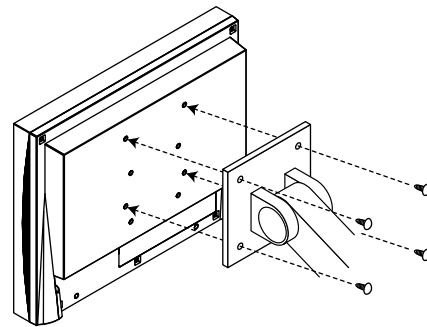
**3. Attach the arm or stand to the monitor.**

Secure the monitor to the arm or stand using the screws specified in the User's Manual of the arm or stand.

- When the clearance between the screw holes of the arm or the stand is 75 mm × 75 mm



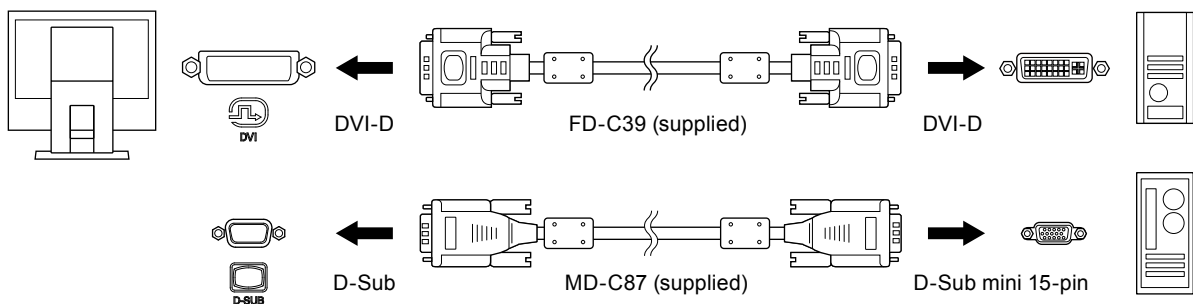
- When the clearance between the screw holes of the arm or the stand is 100 mm × 100 mm




## 6-2. Connecting Multiple PCs

This product can be connected to multiple PCs and allows you to switch between the connections for display.

### Connection examples



#### Note

- The input signal changes each time the operation switch (  ) on the front of the monitor is pressed. When the signal is switched, the active input port name appears at the top right corner of the screen.
- This product automatically recognizes the connector through which PC signals are input and displays images on the screen accordingly. For details, see [“Auto Input Detection” \(page 22\)](#).

## 6-3. Specifications

LCD Panel	Type	TN (Anti-Glare)
	Backlight	LED
	Size	38 cm (15 inch)
	Native Resolution	1024 dots x 768 lines
	Display Size (H x V)	304.1 mm x 228.1 mm
	Pixel Pitch	0.297 mm
	Display Colors	8-bit colors: 16.77 million colors
	Viewing Angle (H / V, typical)	160° / 160°
	Response Time (typical)	Black-to-white-to-black: Approx. 8 ms
Video Signals	Input Terminals	DVI-D x 1 and D-Sub mini 15-pin x 1
	Digital Scanning Frequency (H / V)	31 kHz to 49 kHz / 59 Hz to 61 Hz (VGA TEXT: 69 Hz to 71 Hz)
	Analog Scanning Frequency (H / V)	31 kHz to 49 kHz / 55 Hz to 61 Hz (VGA TEXT: 69 Hz to 71 Hz)
	Synchronization Signal	Separate
	Max. Dot Clock	65 MHz
Audio	Speakers	0.5 W + 0.5 W
	Input Terminals	Line: Analog audio input connector x 1
Power	Input	100 - 240 VAC ±10 %, 50 / 60 Hz 0.3 A - 0.2 A
	Maximum Power Consumption	16 W or less
	Power Save Mode	0.5 W or less (default settings)
	Standby Mode	0.5 W or less (default settings)
Physical Specifications	Dimensions	346 mm x 349 mm x 157 mm (W x H x D)
	Dimensions (Without Stand)	346 mm x 280 mm x 69 mm (W x H x D)
	Net Weight	Approx. 4.7 kg
	Net Weight (Without Stand)	Approx. 3.4 kg
	Tilt	Up 30°, Down 0°
Operating Environmental Requirements	Temperature	5 °C to 35 °C (41 °F to 95 °F)
	Humidity	20 % to 80 % R.H. (no condensation)
	Air Pressure	540 hPa to 1060 hPa
Transportation/Storage Environmental Requirements	Temperature	-20 °C to 60 °C (-4 °F to 140 °F)
	Humidity	10 % to 90 % R.H. (no condensation)
	Air Pressure	200 hPa to 1060 hPa

### ● Accessories

Cleaning Kit	EIZO "ScreenCleaner"
--------------	----------------------

For the latest information about accessories, refer to our web site. <http://www.eizoglobal.com>

# Appendix

## Trademark

The terms HDMI and HDMI High-Definition Multimedia Interface, and the HDMI Logo are trademarks or registered trademarks of HDMI Licensing, LLC in the United States and other countries.

The DisplayPort Compliance Logo and VESA are registered trademarks of the Video Electronics Standards Association.

The SuperSpeed USB Trident Logo is a registered trademark of USB Implementers Forum, Inc.



DICOM is the registered trademark of the National Electrical Manufacturers Association for its standards publications relating to digital communications of medical information.

Kensington and Microsaver are registered trademarks of ACCO Brands Corporation.

Thunderbolt is a trademark of Intel Corporation in the United States and/or other countries.

Microsoft and Windows are registered trademarks of Microsoft Corporation in the United States and other countries.

Adobe is a registered trademark of Adobe Systems Incorporated in the United States and other countries.

Apple, macOS, Mac OS, OS X, Macintosh and ColorSync are registered trademarks of Apple Inc.

EIZO, the EIZO Logo, ColorEdge, CuratOR, DuraVision, FlexScan, FORIS, RadiCS, RadiForce, RadiNET, Raptor and ScreenManager are registered trademarks of EIZO Corporation in Japan and other countries.

ColorEdge Tablet Controller, ColorNavigator, EcoView NET, EIZO EasyPIX, EIZO Monitor Configurator, EIZO ScreenSlicer, G-Ignition, i•Sound, Quick Color Match, RadiLight, Re/Vue, Screen Administrator, Screen InStyle and UniColor Pro are trademarks of EIZO Corporation.

All other company and product names are trademarks or registered trademarks of their respective owners.

## License

The bitmap font used for this product is designed by Ricoh Industrial Solutions Inc.

# FCC Declaration of Conformity

For U.S.A., Canada Only

## FCC Declaration of Conformity

We, the Responsible Party

EIZO Inc.

5710 Warland Drive, Cypress, CA 90630

Phone: (562) 431-5011

declare that the product

Trade name: EIZO

Model: FlexScan S1503-A

is in conformity with Part 15 of the FCC Rules. Operation of this product is subject to the following two conditions: (1) this device may not cause harmful interference, and (2) this device must accept any interference received, including interference that may cause undesired operation.

This equipment has been tested and found to comply with the limits for a Class B digital device, pursuant to Part 15 of the FCC Rules. These limits are designed to provide reasonable protection against harmful interference in a residential installation. This equipment generates, uses, and can radiate radio frequency energy and, if not installed and used in accordance with the instructions, may cause harmful interference to radio communications. However, there is no guarantee that interference will not occur in a particular installation. If this equipment does cause harmful interference to radio or television reception, which can be determined by turning the equipment off and on, the user is encouraged to try to correct the interference by one or more of the following measures.

- \* Reorient or relocate the receiving antenna.
- \* Increase the separation between the equipment and receiver.
- \* Connect the equipment into an outlet on a circuit different from that to which the receiver is connected.
- \* Consult the dealer or an experienced radio/TV technician for help.

Changes or modifications not expressly approved by the party responsible for compliance could void the user's authority to operate the equipment.

### Note

Use the attached specified cable below or EIZO signal cable with this monitor so as to keep interference within the limits of a Class B digital device.

- AC Cord
- Shielded Signal Cable (enclosed)

## Canadian Notice

This Class B information technology equipment complies with Canadian ICES-003.

Cet équipement informatique de classe B est conforme à la norme NMB-003 du Canada.

