

User's Manual

FORIS[®] **FS2735**

Color LCD Monitor

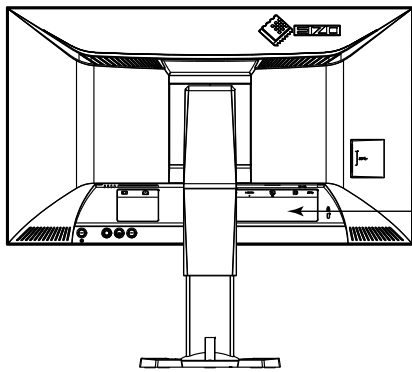
Important


Please read PRECAUTIONS, this User's Manual, and the Setup Guide (separate volume) carefully to familiarize yourself with safe and effective usage.

-
- Please refer to the Setup Guide for basic information ranging from connection of the monitor to a PC or external device to using the monitor.
 - The latest User's Manual is available for download from our web site:
<http://www.eizoglobal.com>
-



Location of Caution Statement




WARNING
RISK OF ELECTRIC SHOCK. DO NOT OPEN.
AVERTISSEMENT
RISQUE DE CHOC ELECTRIQUE. NE PAS OUVRIER.
WARNUNG
GEFAHR DES ELEKTRISCHEN SCHLAGES. RÜCKWAND NICHT ENTFERNEN.
警告
触电危険、請勿打开后盖。
警告
感電の恐れあり、カバーをあげないでください。
The equipment must be connected to a grounded main outlet.
L'appareil doit être relié à une prise avec terre.
Jordet stikkontakt skal benyttes når apparatet tilkobles datanett.
Apparaten skall anslutas till jordat nätuttag.
设备必须连接到接地的电源插座。
電源コードのアースは必ず接地してください。

This product has been adjusted specifically for use in the region to which it was originally shipped. If operated outside this region, the product may not perform as stated in the specifications.

No part of this manual may be reproduced, stored in a retrieval system, or transmitted, in any form or by any means, electronic, mechanical, or otherwise, without the prior written permission of EIZO Corporation. EIZO Corporation is under no obligation to hold any submitted material or information confidential unless prior arrangements are made pursuant to EIZO Corporation's receipt of said information. Although every effort has been made to ensure that this manual provides up-to-date information, please note that EIZO monitor specifications are subject to change without notice.

Introduction

Notice for This Monitor

This product is suited to purposes like displaying video games and viewing multimedia content.

This product has been adjusted specifically for use in the region to which it was originally shipped. If the product is used outside the region, it may not operate as specified in the specifications.

This product may not be covered by warranty for uses other than those described in this manual.

The specifications noted in this manual are only applicable when the following are used:

- Power cords provided with the product
 - Signal cables specified by us
-

Only use optional products manufactured or specified by us with this product.

If you place this product on a lacquer-coated desk, the color may adhere to the bottom of the stand due to the composition of the rubber. Check the desk surface before use.

It takes about 30 minutes for the performance of electrical parts to stabilize. Please wait 30 minutes or more after the monitor power has been turned on, and then adjust the monitor.

Monitors should be set to a lower brightness to reduce changes in luminosity caused by long-term use and maintain a stable display.

When the screen image is changed after displaying the same image for extended periods of time, an afterimage may appear. Use the screen saver or power save function to avoid displaying the same image for extended periods of time.

If the monitor displays continuously over a long period of time, dark smudges or burn-in may appear. To maximize the life of the monitor, we recommend the monitor be turned off periodically.

Periodic cleaning is recommended to keep the monitor looking new and to prolong its operation lifetime (refer to [“Cleaning” \(page 4\)](#)).

The LCD panel is manufactured using high-precision technology. Although, missing pixels or lit pixels may appear on the LCD panel, this is not a malfunction. Percentage of effective dots: 99.9994 % or higher.

The backlight of the LCD panel has a fixed lifetime. When the screen becomes dark or begins to flicker, please contact your local EIZO representative.

Do not press on the panel or edge of the frame strongly, as this may result in display malfunctions, such as interference patterns, etc. If pressure is continually applied to the panel, it may deteriorate or damage your panel. (If the pressure marks remain on the panel, leave the monitor with a black or white screen. The symptom may disappear.)

Do not scratch or press on the panel with any sharp objects, as this may result in damage to the panel. Do not attempt to brush with tissues as this may scratch the panel.

When the monitor is cold and brought into a room or the room temperature goes up quickly, dew condensation may occur on the interior and exterior surfaces of the monitor. In that case, do not turn the monitor on. Instead wait until the dew condensation disappears, otherwise it may cause some damage to the monitor.

To Use the Monitor Comfortably

● Protecting Your Eyes When Using the Monitor

- An excessively dark or bright screen may affect your eyes. Adjust the brightness of the monitor according to the environmental conditions.
- Staring at the monitor for a long time tires your eyes. Take a 10-minute rest every hour.

● Cleaning

Attention

- Chemicals such as alcohol and antiseptic solution may cause gloss variation, tarnishing, and fading of the cabinet or panel, and also quality deterioration of the image.
 - Never use any thinner, benzene, wax, and abrasive cleaner, which may damage the cabinet or panel.
-

Note

- The optional ScreenCleaner is recommended for cleaning the cabinet and panel surface.
-

The stains on the cabinet and panel surface can be removed by moistening part of a soft cloth with water.

CONTENTS

Introduction	3	4-6. To Adjust Gamma.....	28
Notice for This Monitor	3	4-7. To Adjust Hue.....	29
To Use the Monitor Comfortably	4	4-8. To Adjust the Color Saturation.....	29
● Protecting Your Eyes When Using the Monitor ...	4	4-9. To Adjust Gain.....	30
● Cleaning	4	4-10. To Adjust Black Level.....	30
CONTENTS	5	4-11. To Reduce Motion Blur.....	31
Chapter 1 Product Features	7	4-12. To Set the Enhancement Ratio of Contrast Enhancer.....	31
1-1. Product Features	7	4-13. To Set Overdrive Intensity	32
1-2. Controls and Functions	8	4-14. To Reset the Color Adjustments.....	32
● Front.....	8	4-15. Setting Color Format.....	33
● Rear.....	9	4-16. Setting Grayscale Tones.....	34
1-3. Color Adjustment Software	10	4-17. To Select How to Display Interlaced Signal...	34
● G-Ignition	10	Chapter 5 Setting Monitor	35
● G-Ignition Mobile.....	11	5-1. Identifying Input Signal Automatically	35
1-4. Basic Operations and Functions	12	5-2. Excluding a Specific Input Signal from Selection	35
● Basic Operation of the Setting Menu	12	5-3. Excluding a Specific Color Mode from Selection	36
● Functions.....	14	5-4. Switching Sound Sources	36
Chapter 2 Connecting	16	5-5. Adjusting Volume	37
2-1. Connecting the Monitor to a Smartphone via Bluetooth	16	5-6. To Adjust the Sound Level	37
● Checking the Connection Information	17	5-7. Setting the Brightness of Indicators	38
2-2. Connecting Multiple External Devices	18	5-8. Setting Language	38
● Switching Input Signals.....	18	5-9. Resetting the Monitor to the Default Settings	39
2-3. Connecting External Speakers	19	5-10. Checking Monitor Information	39
2-4. Making Use of USB (Universal Serial Bus) ...19	19	5-11. Configuring Administrator Settings	40
● Required System Environment	19	● Basic Operation of the Administrator Settings Menu	40
● Connection Procedure (Setup of USB Function).....	20	● Showing and Hiding the EIZO Logo.....	40
● Locking Operation Buttons	40		
● Switching Signal Formats	41		
● Using Compatibility Mode	41		
Chapter 3 Setting Screens	21	Chapter 6 Using Smart Function	42
3-1. Compatible Resolutions/Formats	21	6-1. Adjustable Settings in Each Mode	42
● DisplayPort Signal Input.....	21	6-2. Setting the Automatic Correction of Perceived Resolution	42
● HDMI (PC signal), DVI-D Signal Input.....	21	6-3. Setting the Automatic Brightness Correction	43
● HDMI (video signal) Input.....	22	6-4. Checking the Setting Status	43
● Audio Signal	22	Chapter 7 Power Saving Functions	44
3-2. Screen Size Changing	23	7-1. Setting Power Saving	44
● DisplayPort Signal Input, DVI-D Signal Input, HDMI (PC signal) Input	23	● Monitor	44
● HDMI (video signal) Input.....	24	7-2. Enabling/Disabling Automatic Brightness Adjustment	45
3-3. To Change the Orientation of the Setting Menu	24		
Chapter 4 Adjusting Color	25		
4-1. To Select the Display Mode (Color Mode) ... 25			
4-2. To Perform Advanced Adjustments	26		
● Adjustable Settings in Each Mode.....	26		
4-3. To Adjust Brightness	27		
4-4. To Adjust Contrast	27		
4-5. To Adjust Color Temperature	28		

Chapter 8 Troubleshooting.....	46
8-1. No Picture	46
8-2. Imaging Problems.....	47
8-3. Other Problems	48
Chapter 9 Attaching/Detaching the Parts.....	49
9-1. Optional Arm	49
● Attaching the Optional Arm (Optional Stand)...	49
● Attaching the Original Stand	50
9-2. Stand Base.....	51
● Detachment Procedure	51
● Attachment Procedure	51
9-3. Cable Holder	53
● Attachment Procedure	53
● Detachment Procedure	54
Chapter 10 Specifications	55
Chapter 11 Glossary	58
Appendix.....	60
Trademark	60
License / Copyright.....	61
FCC Declaration of Conformity	62
FCC CAUTION / Canadian Notice	63
CE Declaration of Conformity.....	64
LIMITED WARRANTY	65
Recycling Information	74

Chapter 1 Product Features

Thank you very much for choosing an EIZO color LCD monitor.

1-1. Product Features

Screen

- 27.0" wide format LCD
- Supports a resolution of 2560 x 1440
- Panel with a wide field of view adopted
IPS panel with 178 ° horizontal and vertical viewing angles.
- 144 Hz refresh rate (vertical scan frequency), offering a high response speed for videos*¹
*¹ To use the recommended resolution at 144 Hz, the FORIS FS2735 must be connected to DisplayPort.
- The Color Mode function allows the user to select the display mode optimum to the displayed image.
See ["4-1. To Select the Display Mode \(Color Mode\)" \(page 25\)](#).
- EIZO's unique "Smart" technology
 - Smart Resolution function
This function adjusts the perceived resolution of the images so that the blurs are reduced and images are displayed vividly and clearly.
 - Smart Insight Demolition function
This function analyzes the images and corrects the brightness for each pixel to make the dark areas and areas that are too bright in an image more visible. It also increases the color saturation.
See ["Chapter 6 Using Smart Function" \(page 42\)](#).
- Input lag is less than 0.05 frames.
Mouse movements and keyboard inputs are instantaneously reflected on the screen if game operations are displayed at a frame rate of less than 0.05 frames per second.
- Adopts EyeCare dimming
The FORIS FS2735 offers flicker-free viewing at all brightness levels, allowing the user to view the monitor without worrying about the eye fatigue caused by a flickering LED display.
- Compatibility with AMD FreeSync technology
Reduces input latency and eliminates screen tearing, offering a smooth game playing experience.
See ["Switching Signal Formats" \(page 41\)](#).

Operations

- The monitor supports the "G-Ignition" and "G-Ignition Mobile" color adjustment software.
Users can use their PCs or smartphones to adjust the screen and share the adjustments as files.
"G-Ignition Mobile" allows you to use your smartphone as a substitute for a remote control to operate the monitor.
See ["1-3. Color Adjustment Software" \(page 10\)](#).
- Operations of menu via the control button
The monitor has a joystick-type button that allows the user to move in five directions by pressing its center, as well as up, down, left, and right direction keys in order to operate the Setting menu. You can operate it intuitively as you would use a game controller.

Connections

- Supports four digital signal input interfaces (DisplayPort × 1, DVI-D (Dual Link/Single Link) × 1, HDMI × 2)
 - DisplayPort (8-bit support) *¹
The DisplayPort input receives both image signals and audio signals via a single DisplayPort cable.
- *¹ When transmitting an audio signal using the DisplayPort cable, the graphics board must support audio output.
See ["Specifications" \(page 55\)](#).

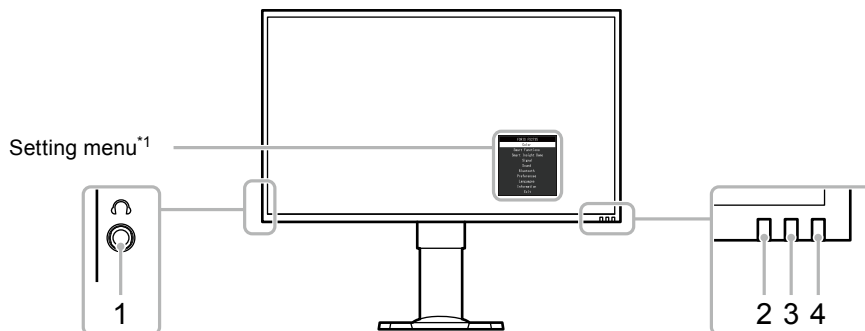
- HDMI
Supports PC signals via HDMI input.
The HDMI input receives both image signals and audio signals via a single HDMI cable.
- Equipped with a USB 3.0 hub function.
Supports high-speed data transfers of up to 5 Gbps. Massive amounts of data can be transferred in a short time, e.g. when using a USB storage device.
- Built-in stereo speakers and headphone jack
See “1-2. Controls and Functions” (page 8).
- Line output connector
A speaker with built-in amplifier can be connected to the monitor to output sound.
See “2-3. Connecting External Speakers” (page 19).
- Displays HDCP (High-bandwidth Digital Protection) protected content.

Physical Specifications

- Thin bezel
A thin bezel design creates almost seamless viewing in a multi-monitor environment for a more immersive game playing experience.
- Stand with wide range of movement
The monitor can be adjusted to a position where it provides you with a comfortable and less tiring work environment.
Tilt: 35° up/5° down, vertical rotation: left 90° / right 90°, adjustable height: 145 mm (tilt: 35°) / 155 mm (tilt: 0°)
- The back of the monitor has controls and built-in speakers.
The operation buttons and speakers are positioned in unobtrusive positions to help create a stylish design.

1-2. Controls and Functions

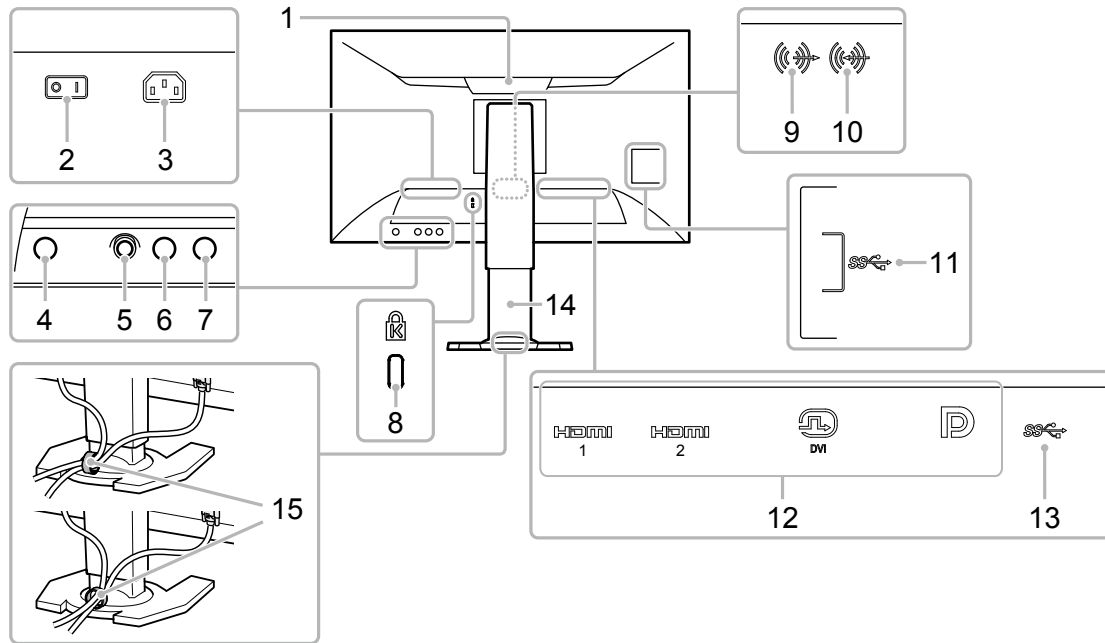
● Front



1. Headphone jack	Connects to headphones.
2. Auto EcoView sensor	Detects ambient brightness (Auto EcoView function (page 45)).
3. Message indicator	Shows whether or not the monitor is connected to a smartphone and whether there are messages from the smartphone when G-Ignition Mobile (page 10) is in use. White: Connected, no messages Blue: Connected, messages received OFF: Not connected
4. Power indicator	Indicates the monitor's operation status. White: Single screen display Orange: Power saving mode Red: FreeSync turned on (page 41) OFF: Main power / power off

*1 See “Basic Operation of the Setting Menu” (page 12) for how to use.

● Rear



1. Handle	This handle is used to carry the monitor. Attention • Firmly grasp and hold the monitor by the bottom while grabbing the handle, and carefully convey the monitor so as not to drop it.
2. Main power switch	Turns the main power on or off. (I: On, O: Off)
3. Power connector	Connects the power cord.
4. Power button	Turns the power on or off.
5. Control button	Use this button to enter the Setting menu in five directions (page 12).
6. Color mode selector	Changes the color mode.
7. Input signal selector	Switches input signals for display.
8. Security lock slot	Complies with Kensington's MicroSaver security system.
9. Line output connector	(Stereo mini jack) Connects a speaker with a built-in amplifier (page 19).
10. Line input connector	(Stereo mini jack) Connects external devices such as a PC.
11. USB downstream port	Connects to a peripheral USB device.
12. Signal input connectors	From left to right HDMI connector (HDMI 1) HDMI connector (HDMI 2) DVI-D connector DisplayPort connector Connects external devices such as a PC.
13. USB upstream port	Connects the USB cable to enable use of software that needs a USB connection, or use of the USB hub function (page 19).
14. Stand*2	Adjusts the height and angle (tilt and rotation) of the monitor.
15. Cable holder	Holds the monitor cables.

*2 An optional arm (or an optional stand) can be attached by removing the stand (see "9-1. Optional Arm" (page 49)).

1-3. Color Adjustment Software

The monitor allows you to use free color adjustment software, G-Ignition or G-Ignition Mobile, to adjust or operate it.

G-Ignition (or G-Ignition Mobile) allows you to use your PC or smartphone to adjust or operate the monitor. It can be used for more advanced and convenient processing, for example, color adjustment data can be saved in a file to be imported or exported. We recommend that you make use of this function.

● G-Ignition

An application that allows the user to adjust, set, and operate the monitor from a PC. G-Ignition and its User's Manual (PDF) are on your EIZO LCD Utility Disk CD-ROM.

Features

- The monitor's color adjustment function can be controlled from the application installed on your PC.
- Adjustment values can be saved as a file and loaded onto other PCs.
- You can upload color adjustment data to G-Ignition Drive to share with other users. You can download data that has been uploaded to G-Ignition Drive by other users.
- You can exchange information with other users through interaction with Twitter.
- When using the software in a multiple monitor configuration, batch adjustment is possible if the monitors are the same model.
- The color mode of the monitor can be switched automatically for each application.
- G-Ignition allows you to turn the monitor's power on or off, as well as switch the color modes via the keyboard.

Hardware Requirements

OS	Microsoft Windows 10, 8.1, or 7
PC	USB port included as standard
Video card	Must support OpenGL 3.0 or later.

Some functions require an Internet environment.
For details, refer to the G-Ignition User's Manual.

● G-Ignition Mobile

An application that allows the user to adjust or set the monitor from their smartphone (Android or iOS).

G-Ignition Mobile is available for download free of charge from Google Play for Android smartphones and the App Store for iOS smartphones.

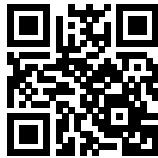
Features

- The monitor's color adjustment function can be controlled from the application in your smartphone. G-Ignition Mobile allows you to turn the monitor's power on or off or switch inputs just like you would use a remote control.
- Adjustment values can be saved as a file and loaded onto other PCs.
- You can upload color adjustment data to G-Ignition Drive to share with other users. You can download data that has been uploaded to G-Ignition Drive by other users.
- G-Ignition Mobile is capable of posting a notification as an icon whenever you receive a call or message on your smartphone. You no longer have to worry about missing an important call or e-mail during a game.

Hardware Requirements

For the latest hardware requirements, refer to our web site.

<http://gaming.eizo.com>



1-4. Basic Operations and Functions

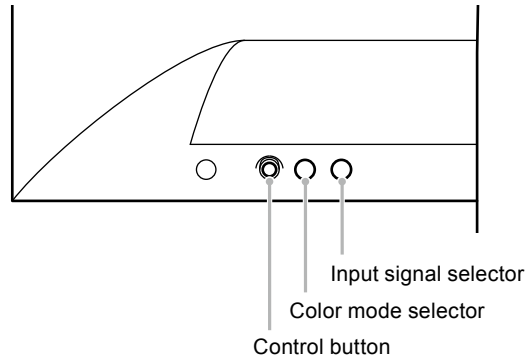
● Basic Operation of the Setting Menu

This section explains how to manipulate the basic settings menu.

For details on how to operate the Administrator Settings menu, see “5-11. Configuring Administrator Settings” (page 40).

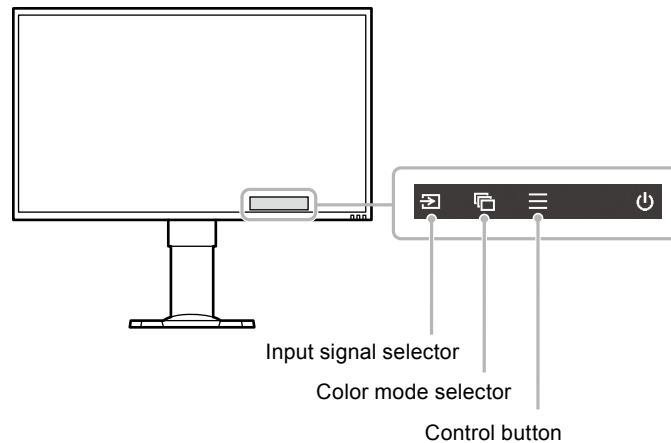
1. Displaying the operation guide

1. Press one of the input signal selector, color mode selector or control button that are located on the rear of the monitor.



The operation guide appears on the screen.

The operation guide corresponds to the buttons on the back of the monitor as shown below.



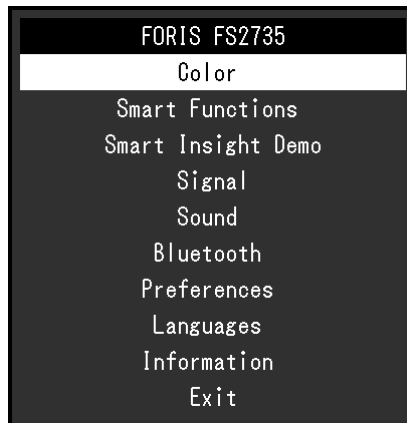
Note

- With the operation guide displayed, you can adjust or set the brightness quickly by pressing the control button left or right. and you can adjust or set the volume quickly by pressing the control button up or down.
 - Pressing the control button left or right
Brightness (page 27)
 - Pressing the control button up or down (page 37)
Volume
-

2. Displaying the Setting menu

1. Press the control button.

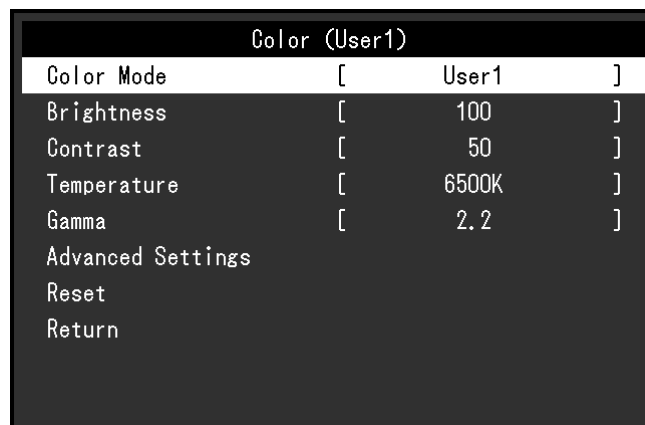
The Setting menu appears.



3. Adjusting/setting

1. Choose a menu to adjust/set by pressing the control button up or down, and then press the control button.

The Sub menu appears.

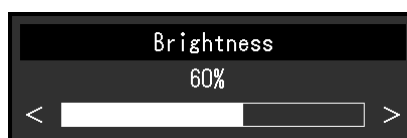


Note

- You can choose a menu by pressing the control button right.

2. Choose a menu to adjust/set by pressing the control button up or down, and then press the control button or press the control button right to accept your setting.

The Adjustment/Setting menu appears.



3. Adjust or set the brightness by using the control button, and then press the control button to accept your setting.

The screen returns to the sub menu.

4. Select "Return" using the control button, and then press the control button or press the control button right to accept your setting.

The screen returns to the Setting menu.

Note

- The screen returns to the Setting menu when you press the control button left.
-

4. Exiting

1. Select "Exit" by using the control button, and then press the control button to accept your setting.

Note

- You can exit the Setting menu when you press the control button left.
-

● Functions

The following table shows the Setting menu and setting items of each menu.

Basic Settings

Main menu	Sub menu	Reference	
Color* ¹	Color Mode	"Chapter 4 Adjusting Color" (page 25)	
	Brightness		
	Contrast		
	Temperature		
	Gamma		
	Advanced Settings		Hue
			Saturation
			Gain
			Black Level
			Blur Reduction
Contrast Enhancer			
Overdrive			
Reset			
Smart Functions* ¹	Smart Resolution	"Chapter 6 Using Smart Function" (page 42)	
	Smart Insight		Saturation Enhancer
Smart Insight Demo	-	"6-4. Checking the Setting Status" (page 43)	
Signal	Picture Expansion	"3-2. Screen Size Changing" (page 23)	
	Input Color Format* ²	"4-15. Setting Color Format" (page 33)	
	Input Range	"4-16. Setting Grayscale Tones" (page 34)	
	Film Detection* ²	"4-17. To Select How to Display Interlaced Signal" (page 34)	
Sound	Analog Audio Input* ³	"5-4. Switching Sound Sources" (page 36)	
	Sound Level	"5-6. To Adjust the Sound Level" (page 37)	
Bluetooth	Bluetooth Function	"2-1. Connecting the Monitor to a Smartphone via Bluetooth" (page 16)	
	Pairing		

Main menu	Sub menu	Reference
Preferences	Auto Input Detection	"5-1. Identifying Input Signal Automatically" (page 35)
	Menu Rotation	"3-3. To Change the Orientation of the Setting Menu" (page 24)
	Power Save	"7-1. Setting Power Saving" (page 44)
	Indicator	"5-7. Setting the Brightness of Indicators" (page 38)
	EcoView Settings	"7-2. Enabling/Disabling Automatic Brightness Adjustment" (page 45)
	Input Skip	"5-2. Excluding a Specific Input Signal from Selection" (page 35)
	Mode Skip	"5-3. Excluding a Specific Color Mode from Selection" (page 36)
	Monitor Reset	"5-9. Resetting the Monitor to the Default Settings" (page 39)
Languages	-	"5-8. Setting Language" (page 38)
Information	-	"5-10. Checking Monitor Information" (page 39)

Administrator Settings

Menu	Reference
On-Screen Logo	"5-11. Configuring Administrator Settings" (page 40)
Key Lock	
Signal Format	
Compatibility Mode	

- *1 The adjustment/settings available on the "Color" and "Smart Functions" depend on the selected mode (see "Adjustable Settings in Each Mode" (page 26)).
- *2 This function is available with HDMI signal input.
- *3 This function is available with DisplayPort and HDMI signal inputs.

Chapter 2 Connecting

2-1. Connecting the Monitor to a Smartphone via Bluetooth

To operate the monitor through G-Ignition Mobile, the monitor must be connected (paired) to your smartphone via Bluetooth.

This section explains how to pair the monitor with your smartphone via Bluetooth.

All operations are to be performed using the control button (see [“Basic Operation of the Setting Menu” \(page 12\)](#)).

Attention

- You can pair the monitor with only one smartphone.

1. Press the control button while the operation guide is displayed.

The Setting menu appears.

2. Choose "Bluetooth" - "Bluetooth Function".

3. Select "On" and press the control button to accept your selection.

Return to the "Bluetooth" sub menu.

4. Choose "Pairing".

5. Select "OK" and press the control button to accept your selection.

The monitor's device name and passcode appear.



Note

- To stop pairing, press any operation button or the control button.

6. Choose the device name of the monitor on the Bluetooth Settings screen of your smartphone.

7. Enter the pass code (password) if necessary.

A message appears and the indicator lights up white (see [“1-2. Controls and Functions” \(page 8\)](#)).

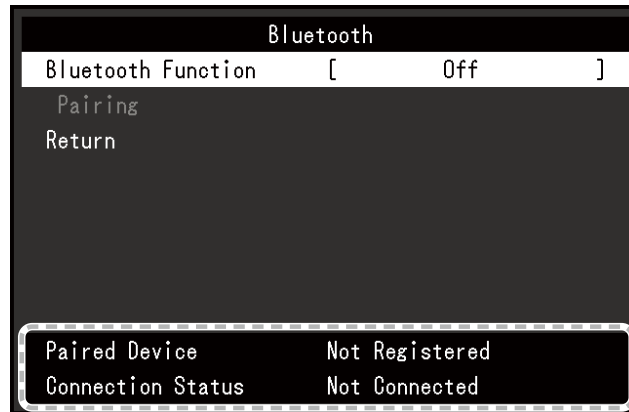
● Checking the Connection Information

1. Press the control button while the operation guide is displayed.

The Setting menu appears.

2. Choose “Bluetooth” and press the control button to accept your selection.

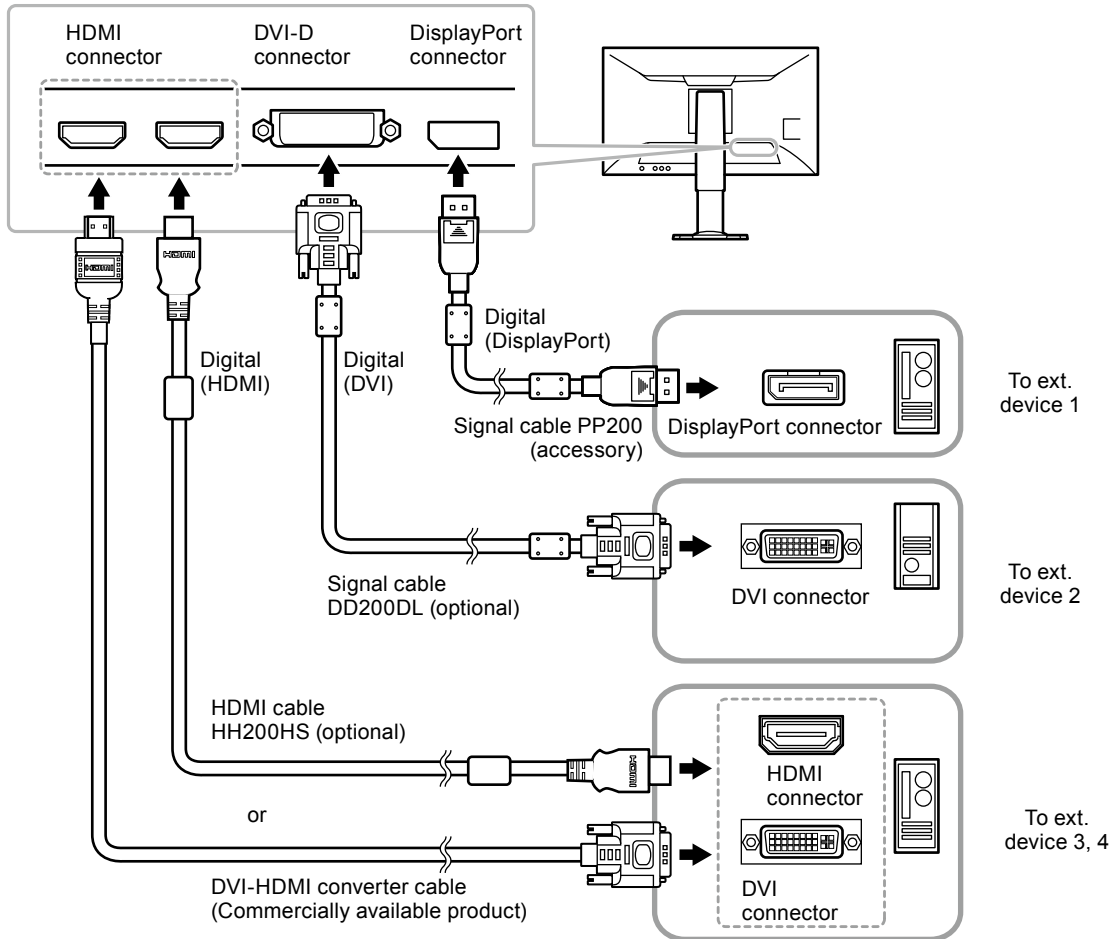
The connection information appears on the bottom of the "Bluetooth" sub menu.



2-2. Connecting Multiple External Devices

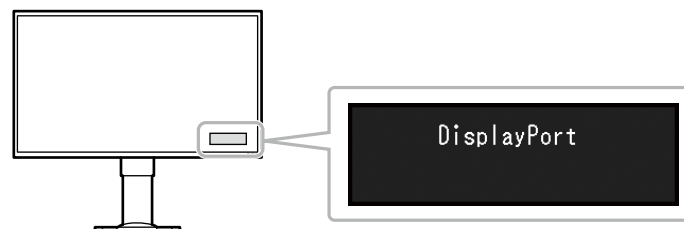
The product has multiple connections to external devices and allows you to switch to one of the connections for display.

Connection examples



● Switching Input Signals

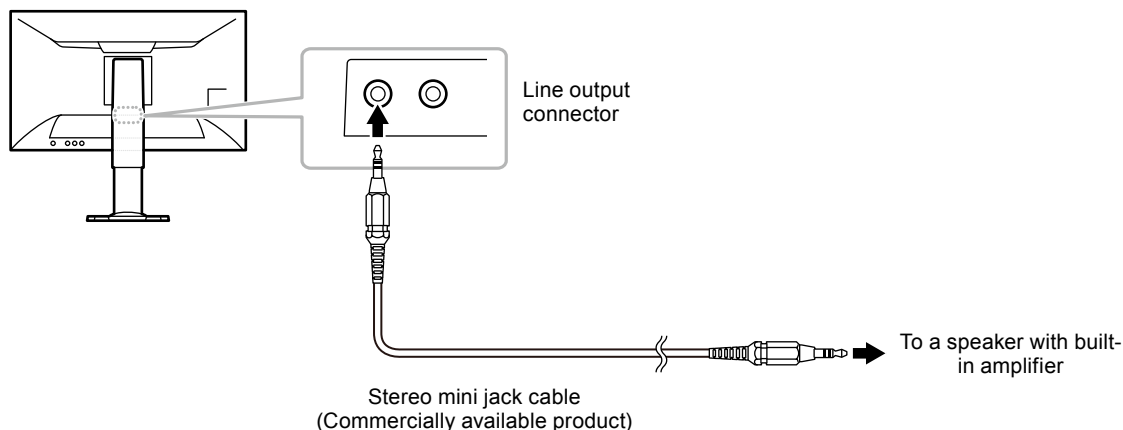
Press the input signal selector (📺) while the operation guide is displayed to change the input signal. When the signal is switched, the active input port name appears on the lower right corner of the screen.



2-3. Connecting External Speakers

A speaker with built-in amplifier can be connected to this product to output sound from external devices such as PCs and game players.

Connection examples



Attention

- Adjust the volume on the external speaker. You cannot adjust the volume using an operation button on the monitor.
- When a speaker with built-in amplifier is attached to the line output connector, the monitor speaker does not output any sound.
- When headphones are connected to the monitor while a speaker with built-in amplifier is attached to the line output connector, the speaker with built-in amplifier does not output any sound.

2-4. Making Use of USB (Universal Serial Bus)

This monitor is equipped with a USB hub. It functions as a USB hub when connected to a USB-compatible PC, allowing the connection of peripheral USB devices.

Note

- This product supports USB 3.0. When connecting to peripheral devices that support USB 3.0, high-speed data communication is possible.

● Required System Environment

- A PC (including a device with USB host) compliant with USB Specification Revision 3.0 and OS
- EIZO USB cable (UU200SS (USB 3.0))

Attention

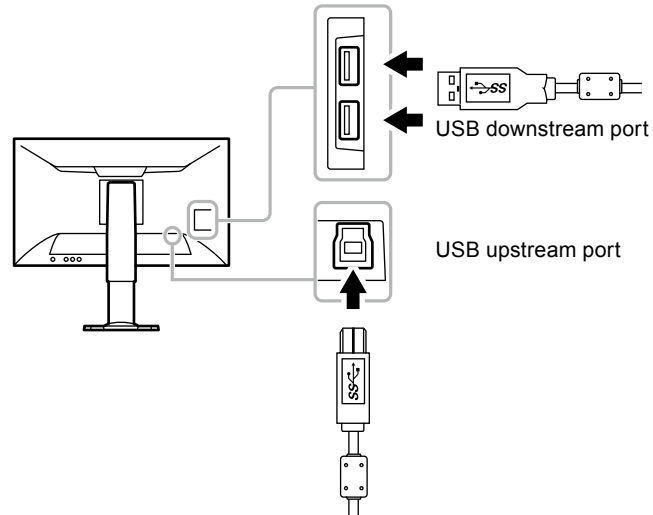
- This monitor may not work depending on the PC, OS, or peripheral devices to be used. For USB compatibility of peripheral devices, contact their manufacturers.
- When the monitor is in power saving mode, devices connected to the USB downstream port will still work. Therefore, power consumption of the monitor varies with connected devices even in power saving mode.
- When the main power of the monitor is off, a device connected to the USB downstream port will not operate.
- If the USB downstream port of the PC and the USB upstream port of the monitor are not connected using a USB cable, a device connected to the USB downstream port will not operate even if the main power switch of the monitor is on. Power will not be supplied.

● Connection Procedure (Setup of USB Function)

1. First, connect the monitor to a PC using the signal cable, then start the PC.
2. Connect the USB cable between the USB downstream port of the PC and the USB upstream port of the monitor.

The USB hub function is set up automatically upon connection of the USB cable.

3. Connect a peripheral USB device to the USB downstream port of the monitor.



Chapter 3 Setting Screens

3-1. Compatible Resolutions/Formats

The monitor supports the following resolutions and signal format.

● DisplayPort Signal Input

The compatible resolutions vary depending on the setting of "Signal Formats" (page 41).

Resolution	Vertical Scan Frequency	FreeSync (High)	FreeSync (Low)	DisplayPort Ver.1.2	DisplayPort Ver.1.1
640 x 480	60Hz / 75Hz	√	√	√	√
640 x 480	100Hz / 120Hz	-	-	√	√
720 x 400	70Hz	√	√	√	√
720 x 480	60Hz	√	√	√	√
720 x 576	50Hz	-	√	√	√
800 x 600	60Hz / 75Hz	√	√	√	√
800 x 600	100Hz / 120Hz	-	-	√	√
1024 x 768	60Hz / 75Hz	√	√	√	√
1024 x 768	120Hz	-	-	√	√
1280 x 720	50Hz	-	√	√	√
1280 x 720	60Hz	√	√	√	√
1280 x 1024	75Hz	√	√	√	√
1280 x 1024	60Hz / 120Hz	-	-	√	√
1680 x 1050	60Hz	-	-	√	√
1920 x 1080	50Hz	-	√	√	√
1920 x 1080	90Hz	-	√	-	-
1920 x 1080	60Hz / 120Hz / 144Hz	√	√	√	√
2560 x 1440 ^{*1}	60Hz	√	√	√	√
2560 x 1440 ^{*1}	90Hz	-	√	-	-
2560 x 1440 ^{*1}	100Hz	√	-	√	-
2560 x 1440 ^{*1}	120Hz / 144Hz	√	√	√	-

*1 Recommended resolution

● HDMI (PC signal), DVI-D Signal Input

Resolution	Vertical Scan Frequency	HDMI	DVI-D
640 x 480	60 Hz / 75 Hz / 120 Hz	√	√
640 x 480	100 Hz	√	-
720 x 400	70 Hz	√	√
720 x 480	60 Hz	√	-
800 x 600	60 Hz / 75 Hz / 120 Hz	√	√
800 x 600	100 Hz	√	-
1024 x 768	60 Hz / 75 Hz / 120 Hz / 144 Hz	√	√
1280 x 720	60 Hz	√	√
1280 x 1024	60 Hz / 75 Hz / 120 Hz / 144 Hz	√	√
1680 x 1050	60 Hz	√	√
1920 x 1080	100 Hz	√	-
1920 x 1080	60 Hz/120 Hz	√	√
1920 x 1080	144 Hz	-	√
2560 x 1440 ^{*1}	60 Hz	√	√

*1 Recommended resolution

● HDMI (video signal) Input

Formats	Resolution	Scanning Method	Vertical Scan Frequency		
			24 Hz	50 Hz	60 Hz
VGA	640 x 480	Progressive	-	-	√
480p	720 x 480	Progressive	-	-	√
480i	720 x 480	Interlaced	-	-	√
576p	720 x 576	Progressive	-	√	-
576i	720 x 576	Interlaced	-	√	-
720p	1280 x 720	Progressive	-	√	√
1080p	1920 x 1080	Progressive	√	√	√
1080i	1920 x 1080	Interlaced	-	√	√

● Audio Signal

2 ch linear PCM (32 kHz / 44.1 kHz / 48 kHz / 88.2 kHz / 96 kHz)

Attention

- DVI signal input is not supported.
-

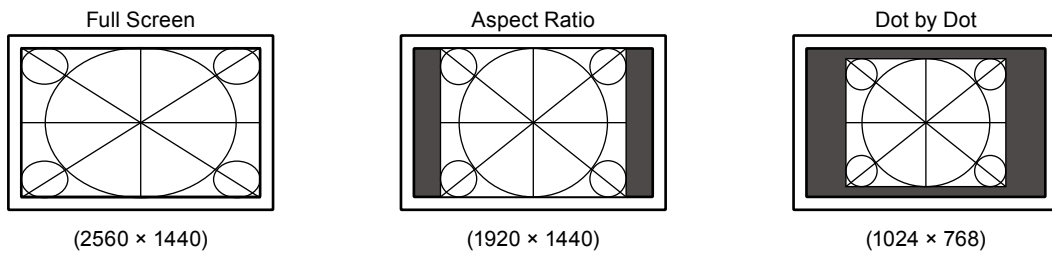
3-2. Screen Size Changing

● DisplayPort Signal Input, DVI-D Signal Input, HDMI (PC signal) Input

The image with the resolution other than the recommended resolution is displayed at full screen size automatically. You can change the screen size by using the "Picture Expansion" function.

Setting	Function
Full Screen	Displays an image in full screen. Images are distorted in some cases because the vertical rate is not equal to the horizontal rate.
Aspect Ratio	Displays an image in full screen. In some cases, a blank horizontal or vertical border appears to equalize the vertical rate and the horizontal rate.
Dot by Dot	Displays images with the specified resolution.

Example: Image size 1024 × 768



Procedure

All operations are to be performed using the control button (see ["Basic Operation of the Setting Menu" \(page 12\)](#)).

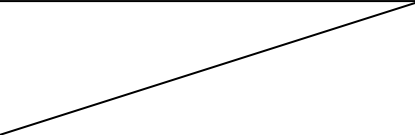
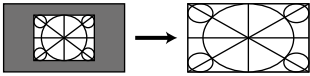
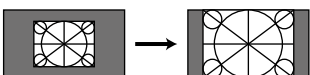
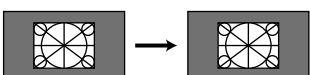
1. Press the control button while the operation guide is displayed.
The Setting menu appears.
2. Choose "Signal" - "Picture Expansion".
3. Select your desired setting in the "Picture Expansion" and press the control button to accept your selection.

Note

- If "Dot by Dot" is selected, display lag of up to two frames may occur.
- The full screen display is selected regardless of the setting when FreeSync ([page 41](#)) is in operation.

● HDMI (video signal) Input

The screen size can be changed using the "Picture Expansion" function.

Setting	Function	Screen Display
Auto	The monitor automatically changes the screen size according to the aspect ratio*1 and resolution information from the external device. This can only be set for HDMI input.	
Full Screen	Displays an image in full screen. Images are distorted in some cases because the vertical rate is not equal to the horizontal rate.	
Aspect Ratio	Displays an image in full screen. In some cases, a blank horizontal or vertical border appears to equalize the vertical rate and the horizontal rate.	
Dot by Dot	The image is displayed without scaling the input signals.	

*1 The aspect ratio information of letterbox cannot be identified automatically.

Procedure

All operations are to be performed using the control button (see "Basic Operation of the Setting Menu" (page 12)).

1. Press the control button while the operation guide is displayed.
The Setting menu appears.
2. Choose "Signal" - "Picture Expansion".
3. Choose your desired setting and press the control button to accept your selection.

Note

- If "Dot by Dot" is selected, display lag of up to two frames may occur.

3-3. To Change the Orientation of the Setting Menu

Change the orientation of the Setting menu when using the monitor screen in the portrait display position.

Adjustable range

0°, 90°, 270°

Procedure

All operations are to be performed using the control button (see "Basic Operation of the Setting Menu" (page 12)).

1. Press the control button while the operation guide is displayed.
The Setting menu appears.
2. Choose "Preferences" - "Menu Rotation".
3. Choose your desired setting and press the control button to accept your setting.

Attention

- Make sure to turn the monitor screen after pulling the screen up to the uppermost position of the stand and tilting the screen upward.
- When using the monitor screen in a portrait position, a graphics board that supports portrait display is required. When placing the monitor in a portrait position, the settings of your graphics board need to be changed. For details, refer to the manual of the graphics board. Please refer to our web site (<http://www.eizoglobal.com>) as well.

Chapter 4 Adjusting Color

4-1. To Select the Display Mode (Color Mode)

This function allows easy selection of a desired mode according to monitor application.

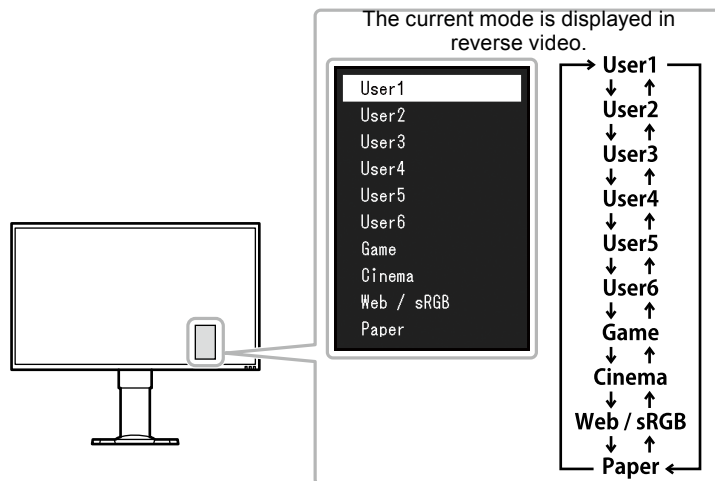
Mode Selection

Mode	Purpose
User1 User2 User3 User4 User5 User6	Select one of these user modes to define a desired set of parameter settings.
Game	Produces a clear-cut view. Suitable for displaying game images.
Cinema	Produces theater screen-like images. Suitable for displaying images from media such as movies.
Web / sRGB	Suitable while displaying a web browser or for color matching with sRGB compatible peripherals.
Paper	Produces a printed paper effect. Suitable for displaying images from media such as books and documents.

Procedure

1. Press the color mode selector (📺) (see “1-2. Controls and Functions” (page 8)) while the operation guide is displayed.

The mode menu appears on the screen.



2. Each time you press the color mode selector (📺), the mode changes.

You can switch the current mode using the control button while the mode menu is being displayed.

Note

- The Setting menu and the Mode menu cannot be displayed at the same time.
- When “G-Ignition” is used, the Color Mode automatically switches to the corresponding setting for the software being used.
- You can make a specific mode not selectable. For details, refer to “5-3. Excluding a Specific Color Mode from Selection” (page 36).

4-2. To Perform Advanced Adjustments

The “Color” menu of the Setting menu allows you to set and save the independent color adjustment for each mode.

Attention

- The monitor will take about 30 minutes before its internal electric components stabilize. Wait 30 minutes or more after turning the monitor power on before starting adjustment.
- The same image may be observed in different colors on multiple monitors due to monitor-specific characteristics. Make fine color adjustments visually when matching colors across multiple monitors.

Note

- G-Ignition and G-Ignition Mobile ([page 10](#)) make color adjustments easier.
G-Ignition allows you to adjust for color via mouse and keyboard.
G-Ignition Mobile allows you to adjust for color via your smartphone.

● Adjustable Settings in Each Mode

The adjustable settings depend on the mode. (Non-adjustable or non-settable function cannot be selected.)

For instructions on how to adjust or set each function, refer to subsequent pages.

√: Adjustable -: Not adjustable

Function		Color Mode				
		User 1 to User 6	Game	Cinema	Web / sRGB	Paper
Brightness		√	√	√	√	√
Contrast		√	√	√	-	-
Temperature		√	√	√	-	√
Gamma		√	√	√	-	-
Advanced Settings	Hue	√	√	√	-	-
	Saturation	√	√	√	-	-
	Gain	√	-	-	-	-
	Black Level	√	√	√	-	-
	Blur Reduction	√	√	√	-	-
	Contrast Enhancer	√	√	√	-	-
Overdrive		√	√	√	-	-
Reset		√	√	√	√	√

4-3. To Adjust Brightness

The screen brightness is adjusted by changing the brightness of the backlight (light source from the LCD back panel).

Setting range

0 to 100

Procedure

All operations are to be performed using the control button (see [“Basic Operation of the Setting Menu” \(page 12\)](#)).

1. Press the control button while the operation guide is displayed.
The Setting menu appears.
2. Choose "Color" - "Brightness".
3. Set your desired value and press the control button to accept your setting.

Note

- You can adjust or set the brightness quickly by pressing the control button left or right while the operation guide is displayed.
 - If you feel that the image is too dark even if the brightness is set to 100, adjust the contrast.
 - Alternatively, you can use G-Ignition (or G-Ignition Mobile) to set.
-

4-4. To Adjust Contrast

The brightness of the screen is adjusted by varying the video signal level.

Adjustable range

0 to 100

Procedure

All operations are to be performed using the control button (see [“Basic Operation of the Setting Menu” \(page 12\)](#)).

1. Press the control button while the operation guide is displayed.
The Setting menu appears.
2. Choose "Color" - "Contrast".
3. Set your desired value and press the control button to accept your setting.

Note

- In the contrast of 50, every color gradation is displayed (for PC input signal only).
 - When adjusting the monitor, it is recommended to perform brightness adjustment, which does not lose gradation characteristics, prior to contrast adjustment.
 - Perform contrast adjustment in the following cases.
 - If the image is too dark even when the brightness is set to 100. (Set the contrast to higher than 50.)
 - Alternatively, you can use G-Ignition (or G-Ignition Mobile) to set.
-

4-5. To Adjust Color Temperature

Color temperature can be adjusted.

The color temperature is normally used to express the hue of "White" and/or "Black" with a numerical value. The value is expressed in degrees "K" (Kelvin).

The screen becomes reddish at low color temperatures and bluish at high color temperatures, similar to the temperatures of a flame. A gain preset value is set for each color temperature setting value.

Adjustable range

Native, 4000 K-10000 K (specified by every 100 K unit)

Procedure

All operations are to be performed using the control button (see ["Basic Operation of the Setting Menu" \(page 12\)](#)).

1. Press the control button while the operation guide is displayed.
The Setting menu appears.
2. Choose "Color" - "Temperature".
3. Set your desired value and press the control button to accept your setting.

Note

- The value shown in "K" is available only as a reference.
 - "Gain" allows you to perform more advanced adjustment (see ["4-9. To Adjust Gain" \(page 30\)](#)).
 - If set to "Native", the image is displayed in the preset color of the monitor (Gain: 100 for each RGB channel).
 - When the gain is changed, the color temperature setting changes to "User".
 - Alternatively, you can use G-Ignition (or G-Ignition Mobile) to set.
-

4-6. To Adjust Gamma

Gamma can be adjusted. While the brightness of the monitor varies depending on the input signal, the variation rate is not proportional to the input signal. Maintaining the balance between the input signal and brightness of the monitor is referred to as "Gamma correction".

Setting	Function
1.6 to 2.8 in 0.1 increments	The larger the number, the higher the contrast.
FPS	Suitable for display FPS games, adjusting low tone sections to be brighter than in RTS.
RTS	Suitable for display RTS games, adjusting low tone sections to be bright.
Power	Helps to sharpen halftone images by increasing their contrast.
sRGB	Used for color-matching the display to sRGB compatible peripherals.
Paper	Produces a printed paper effect.

Procedure

All operations are to be performed using the control button (see ["Basic Operation of the Setting Menu" \(page 12\)](#)).

1. Press the control button while the operation guide is displayed.
The Setting menu appears.
2. Choose "Color" - "Gamma".
3. Set your desired value and press the control button to accept your setting.

Note

- Alternatively, you can use G-Ignition (or G-Ignition Mobile) to set.
-

4-7. To Adjust Hue

Hue can be adjusted.

Adjustable range

-100 to 100

Procedure

All operations are to be performed using the control button (see [“Basic Operation of the Setting Menu” \(page 12\)](#)).

1. Press the control button while the operation guide is displayed.
The Setting menu appears.
2. Choose "Color" - "Advanced Settings" - "Hue".
3. Set your desired value and press the control button to accept your setting.

Attention

- Using this function may make some color gradations unavailable for display.

Note

- Alternatively, you can use G-Ignition (or G-Ignition Mobile) to set.
-

4-8. To Adjust the Color Saturation

Color saturation can be adjusted.

Adjustable range

-100 to 100

Procedure

All operations are to be performed using the control button (see [“Basic Operation of the Setting Menu” \(page 12\)](#)).

1. Press the control button while the operation guide is displayed.
The Setting menu appears.
2. Choose "Color" - "Advanced Settings" - "Saturation".
3. Set your desired value and press the control button to accept your setting.

Attention

- Using this function may make some color gradations unavailable for display.

Note

- The minimum value (-100) changes the screen to monochrome.
 - Alternatively, you can use G-Ignition (or G-Ignition Mobile) to set.
-

4-9. To Adjust Gain

The brightness of each red, green, and blue color component is referred to as “Gain”. The hue of “white” can be changed by adjusting the gain.

Adjustable range

0 to 100

Procedure

All operations are to be performed using the control button (see [“Basic Operation of the Setting Menu” \(page 12\)](#)).

1. Press the control button while the operation guide is displayed.
The Setting menu appears.
2. Choose "Color" - "Advanced Settings" - "Gain".
3. Set your desired value for each of red, green, and blue and press the control button to accept your setting.

Note

- The gain value changes according to the color temperature.
 - When the gain is changed, the color temperature setting changes to “User”.
 - Alternatively, you can use G-Ignition (or G-Ignition Mobile) to set.
-

4-10. To Adjust Black Level

You can adjust the level of brightness at the black part of an image by adjusting the black level. Please use a black test pattern or background for adjustment of the black level.

Adjustable range

0 to 100

Procedure

All operations are to be performed using the control button (see [“Basic Operation of the Setting Menu” \(page 12\)](#)).

1. Press the control button while the operation guide is displayed.
The Setting menu appears.
2. Choose "Color" - "Advanced Settings" - "Black Level".
3. Set your desired value and press the control button to accept your setting.

Note

- After completing black level adjustment, readjust the contrast as appropriate.
 - Alternatively, you can use G-Ignition (or G-Ignition Mobile) to set.
-

4-11. To Reduce Motion Blur

Motion blur, or unsharp images in motion, can be reduced.

Motion blur occurs when the eye recognizes liquid crystal transitions that come from changing screens (frames).

When "Blur Reduction" is set to "On", the backlight flickers in sync with liquid crystal transition so the change cannot be seen, thereby creating clear images with less blur.

Procedure

All operations are to be performed using the control button (see ["Basic Operation of the Setting Menu" \(page 12\)](#)).

1. Press the control button while the operation guide is displayed.
The Setting menu appears.
2. Choose "Color" - "Advanced Settings" - "Blur Reduction".
3. Select "On" and press the control button to accept your selection.

Attention

- To ensure that the blur reduction stays "On", set the signal format setting described in ["Switching Signal Formats" \(page 41\)](#) to "DisplayPort Ver.1.2" or "DisplayPort Ver.1.1".

Note

- Alternatively, you can use G-Ignition (or G-Ignition Mobile) to set.
-

4-12. To Set the Enhancement Ratio of Contrast Enhancer

This function allows you to automatically adjust the contrast according to the darkness or brightness of an image and change in scenes. You can set the level of the adjustment.

Adjustable range

Enhanced, Standard, Off

Procedure

All operations are to be performed using the control button (see ["Basic Operation of the Setting Menu" \(page 12\)](#)).

1. Press the control button while the operation guide is displayed.
The Setting menu appears.
2. Choose "Color" - "Advanced Settings" - "Contrast Enhancer".
3. Choose your desired setting and press the control button to accept your selection.

Attention

- Using this function may make some color gradations unavailable for display.

Note

- Alternatively, you can use G-Ignition (or G-Ignition Mobile) to set.
-

4-13. To Set Overdrive Intensity

This function allows you to set overdrive intensity based on the use of the monitor. For example, you can reduce image lags by setting the adjustment level to “Enhanced” when displaying fast moving images such as game images.

Adjustable range

Enhanced, Standard, Off

Procedure

All operations are to be performed using the control button (see [“Basic Operation of the Setting Menu” \(page 12\)](#)).

1. Press the control button while the operation guide is displayed.
The Setting menu appears.
2. Choose "Color" - "Advanced Settings" - "Overdrive".
3. Choose your desired setting and press the control button to accept your selection.

Note

- Alternatively, you can use G-Ignition (or G-Ignition Mobile) to set.
-

4-14. To Reset the Color Adjustments

This function only resets the color adjustments for the currently selected mode and the setting in [“Chapter 6 Using Smart Function” \(page 42\)](#) to the default settings.

Procedure

All operations are to be performed using the control button (see [“Basic Operation of the Setting Menu” \(page 12\)](#)).

1. Press the control button while the operation guide is displayed.
The Setting menu appears.
2. Choose "Color" - "Reset".
3. Select “OK” and press the control button to accept your selection.

4-15. Setting Color Format

The color format for DisplayPort and HDMI signal can be specified. If the correct color is not displayed, change the setting to other than "Auto".

DisplayPort signal input

Setting	Function
Auto	Automatically identifies the color format of the input signal (recommended).
YUV	Converts the color format of the input signal to a YUV format.
RGB	Converts the color format of the input signal to a RGB format.

HDMI signal input

√: Can be set -: Cannot be set

Setting	Function	PC signal	Video signal
Auto	Automatically identifies the color format of the input signal (recommended).	-	√
YUV 4:2:2	Converts the color format of the input signal to a YUV 4:2:2 format.	√	√
YUV 4:4:4	Converts the color format of the input signal to a YUV 4:4:4 format.	√	√
RGB	Converts the color format of the input signal to a RGB format.	√	√

Procedure

All operations are to be performed using the control button (see ["Basic Operation of the Setting Menu" \(page 12\)](#)).

1. Press the control button while the operation guide is displayed.
The Setting menu appears.
2. Choose "Signal" - "Input Color Format".
3. Choose your desired setting and press the control button to accept your selection.

Attention

- The color format must be set:
 - When a DVI device is connected to the monitor via the HDMI connector port using a DVI-HDMI conversion connector.
- Even if "Auto" is set, correct color might not be displayed. If this happens, change the setting to one where the screen is displayed correctly.

4-16. Setting Grayscale Tones

The grayscale tones can be specified.

Setting	Function
Auto	The monitor automatically switches grayscale tones according to the signal that is input.
Full	The monitor displays the entered grayscale tone as it is.
Limited	The monitor displays the entered grayscale tone in 255 tones.

Procedure

All operations are to be performed using the control button (see [“Basic Operation of the Setting Menu” \(page 12\)](#)).

1. Press the control button while the operation guide is displayed.
The Setting menu appears.
2. Choose "Signal" - "Input Range".
3. Choose your desired setting and press the control button to accept your selection.

Attention

- "Auto" is not available for DVI signal input.

4-17. To Select How to Display Interlaced Signal

The display method can be selected before the interlaced signal is displayed when receiving HDMI signal input. Signals of 24 frames or 30 frames per second for images such as movies, computer graphics, and animations are automatically identified and the optimum images are displayed.

Procedure

All operations are to be performed using the control button (see [“Basic Operation of the Setting Menu” \(page 12\)](#)).

1. Press the control button while the operation guide is displayed.
The Setting menu appears.
2. Choose "Signal" - "Film Detection".
3. Select "On" and press the control button to accept your selection.

Chapter 5 Setting Monitor

5-1. Identifying Input Signal Automatically

This function sets the monitor to automatically identify the input signal.

The monitor switches input signals from HDMI 1, HDMI 2, DisplayPort, to DVI and, when it detects an input signal, displays it on the screen.

Setting	Function
On	The monitor automatically identifies the connector through which signals are input and displays images on the screen accordingly. When an external device enters a power saving mode, any other available signal is displayed automatically.
Off	The monitor displays the signal from the selected connector regardless of whether a signal is input or not. In this case, select the input signal to display using the control button.

Note

- When the main power is turned off and back on again, an input signal is automatically detected regardless of the setting of this function.

Procedure

All operations are to be performed using the control button (see [“Basic Operation of the Setting Menu” \(page 12\)](#)).

1. Press the control button while the operation guide is displayed.
The Setting menu appears.
2. Choose "Preferences" - "Auto Input Detection".
3. Select "On" and press the control button to accept your selection.

5-2. Excluding a Specific Input Signal from Selection

Setting a specific input signal to "Skip" allows it to be skipped when the input signals are switched.

Procedure

All operations are to be performed using the control button (see [“Basic Operation of the Setting Menu” \(page 12\)](#)).

1. Press the control button while the operation guide is displayed.
The Setting menu appears.
2. Choose "Preferences" - "Input Skip".
3. Choose "-" or "Skip" for each input signal and press the control button to accept your selection.

Attention

- You cannot set "Skip" for all input signals.

5-3. Excluding a Specific Color Mode from Selection

Setting a specific color mode to "Skip" allows it to be skipped when the color modes are switched.

Procedure

All operations are to be performed using the control button (see [“Basic Operation of the Setting Menu” \(page 12\)](#)).

1. Press the control button while the operation guide is displayed.
The Setting menu appears.
2. Choose "Preferences" - "Mode Skip".
3. Choose "-" or "Skip" for each color mode and press the control button to accept your selection.

Attention

- You cannot set "Skip" for all color modes.

5-4. Switching Sound Sources

The sound source for DisplayPort signal input or HDMI signal input can be switched to Line input connector (stereo mini jack).

Setting	Function
On	Line input connector (stereo mini jack) is used as a sound source.
Off	DisplayPort or HDMI signal is used as a sound source.

Procedure

All operations are to be performed using the control button (see [“Basic Operation of the Setting Menu” \(page 12\)](#)).

1. Press the control button while the operation guide is displayed.
The Setting menu appears.
2. Choose "Sound" - "Analog Audio Input".
3. Select "On" or "Off" and press the control button to accept your selection.

5-5. Adjusting Volume

This function allows you to adjust the volume.

Adjustable range

0 to 30

Procedure

All operations are to be performed using the control button (see [“Basic Operation of the Setting Menu” \(page 12\)](#)).

1. Press the control button up or down while the operation guide is displayed.
The volume adjustment menu appears.
2. Set your desired value and press the control button to accept your setting.

Note

- The volume setting is common to DisplayPort input, HDMI input and stereo mini jack.
- Alternatively, you can adjust the volume by choosing “Sound” - “Volume”.

Attention

- If an external speaker with a built-in amplifier is attached to the line output connector, the monitor outputs voices directly to the external speaker without processing them. Adjust the volume on the external speaker. You cannot adjust the volume using the button on the monitor.
 - When you try to adjust the volume with all the conditions below, the “This operation is not available on current status.” message is displayed.
 - The headphones are not connected.
 - A speaker with built-in amplifier is attached to the line output connector.
-

5-6. To Adjust the Sound Level

The input sound level can be adjusted.

The volume difference may occur depending on the kinds of input signals, since the average sound level of the external device differs. You can reduce volume differences by adjusting the sound level. For example, if the volume difference of HDMI 1 and HDMI 2 input signals becomes large, you can reduce the volume difference between them by raising the “Sound Level” of the lower volume side.

Adjustable range

-1 to 1

Procedure

All operations are to be performed using the control button (see [“Basic Operation of the Setting Menu” \(page 12\)](#)).

1. Press the control button while the operation guide is displayed.
The Setting menu appears.
2. Choose “Sound” - “Sound Level”.
3. Set your desired value and press the control button to accept your setting.

Attention

- This function is applicable to sound from the monitor speakers and headphones.
-

5-7. Setting the Brightness of Indicators

The brightness of the indicators (power and message indicators) on the front of the monitor can be adjusted.

Adjustable range

Off, 1-7

Procedure

All operations are to be performed using the control button (see [“Basic Operation of the Setting Menu” \(page 12\)](#)).

1. Press the control button while the operation guide is displayed.
The Setting menu appears.
2. Choose "Preferences" - "Indicator".
3. Set your desired value and press the control button to accept your setting.

Note

- The setting is applied to both the power and message indicators.
-

5-8. Setting Language

This function allows you to select a language for the Setting menu or messages.

Adjustable range

English, Deutsch, Français, Español, Italiano, Svenska, Japanese, Simplified Chinese, Traditional Chinese

Procedure

All operations are to be performed using the control button (see [“Basic Operation of the Setting Menu” \(page 12\)](#)).

1. Press the control button while the operation guide is displayed.
The Setting menu appears.
2. Choose "Languages".
3. Select your desired language, then press the control button to accept your selection.

5-9. Resetting the Monitor to the Default Settings

This function resets all adjustments to the default settings.

Attention

- After resetting, you cannot undo the operation.

Note

- For details on default settings, see [“Main Default Settings” \(page 56\)](#).
 - For information on how to reset only color adjustment values, see [“4-14. To Reset the Color Adjustments” \(page 32\)](#).
-

Procedure

All operations are to be performed using the control button (see [“Basic Operation of the Setting Menu” \(page 12\)](#)).

1. Press the control button while the operation guide is displayed.
The Setting menu appears.
2. Choose "Preferences" - "Monitor Reset".
3. Select "OK" and press the control button to accept your selection.

5-10. Checking Monitor Information

This function allows you to display the model name, serial number, version, usage time, resolution, and input signal.

Procedure

All operations are to be performed using the control button (see [“Basic Operation of the Setting Menu” \(page 12\)](#)).

1. Press the control button while the operation guide is displayed.
The Setting menu appears.
2. Choose "Information".

Attention

- When you turn on the monitor for the first time, the usage time may be more than 0 due to a factory inspection.
-

5-11. Configuring Administrator Settings

● Basic Operation of the Administrator Settings Menu

To configure the administrator settings, perform the following operations:

Method

1. Press the Power button to turn off the monitor.
2. While pressing the control button up, press the Power button for at least 2 seconds.
The Administrator Settings menu appears. At this time, the on-screen display of the input signal is not displayed.
3. Select your desired item using the control button.
4. Set it using the control button and press it to accept your setting.
The screen returns to the Administrator Settings menu.
5. Select "Apply" using the control button and press it to accept your selection.
The Administrator Settings menu disappears and the screen changes to its normal view.

● Showing and Hiding the EIZO Logo

When the monitor is turned on, the EIZO logo appears on the screen. You can choose to show or hide the display of the EIZO logo.

Procedure

For details on the basic operation of the Administrator Settings menu, see [“Basic Operation of the Administrator Settings Menu” \(page 40\)](#).

1. Choose "On-Screen Logo" from the Administrator Settings menu.
2. Select "On" or "Off" and press the control button to accept your selection.

● Locking Operation Buttons

This function allows you to lock the buttons on the monitor.

Setting	Function
Off	All buttons are enabled.
Menu	Locks the Settings menu operations using the control button. The Input Signal selector, Color Mode selector and Power button are not locked.
All	Locks all buttons other than the power button. The Power button is active to turn the monitor on or off.

Procedure

For details on the basic operation of the Administrator Settings menu, see [“Basic Operation of the Administrator Settings Menu” \(page 40\)](#).

1. Choose "Key Lock" in the Administrator Settings menu.
2. Choose your desired setting and press the control button to accept your selection.

Note

- The monitor can be operated via G-Ignition (or G-Ignition Mobile) even if the buttons are locked.
-

● Switching Signal Formats

This function allows you to set the compatible resolution, vertical scan frequency, and the DisplayPort version of the monitor when the DisplayPort signal is input. Use this function in the following cases:

- To change the vertical scan frequency range at which FreeSync operates
- To turn off FreeSync

Setting values

Setting	Function
FreeSync (High)	The monitor enters a state that supports FreeSync. The vertical scan frequency range is 56 Hz to 144 Hz.
FreeSync (Low)	The monitor enters a state that supports FreeSync. The vertical scan frequency range is 35 Hz to 90 Hz.
DisplayPort Ver.1.2	The monitor enters a state that does not support FreeSync. The DisplayPort version is changed to 1.2. Select this when FreeSync is not used.
DisplayPort Ver.1.1	The monitor enters a state that does not support FreeSync. The DisplayPort version is changed to 1.1. Select this if the screen is not displayed when "DisplayPort Ver.1.2" is selected while FreeSync is not used.

About FreeSync

AMD FreeSync technology eliminates screen tearing and/or stuttering caused by the normal method of updating the screen, delivering a smooth game playing experience.

Attention

- This function only works for DisplayPort signal input.
- A graphics board that is compatible with FreeSync is required. In addition, FreeSync must be enabled on the graphics board. For details, refer to the manual of the graphics board.

Note

- The following changes occur on the monitor when the monitor enters a state that supports FreeSync.
 - The power indicator of the monitor turns red.
 - The full screen display setting described in [“3-2. Screen Size Changing” \(page 23\)](#) is automatically selected.
 - Blur reduction ([page 31](#)) is automatically set to “Off”.
- For details on the resolution and frequency that can be dealt with by each setting, see [“3-1. Compatible Resolutions/Formats” \(page 21\)](#).

Procedure

For details on the basic operation of the Administrator Settings menu, see [“Basic Operation of the Administrator Settings Menu” \(page 40\)](#).

1. Choose "Signal Format" from the Administrator Settings menu.
2. Choose your desired setting and press the control button to accept your selection.

● Using Compatibility Mode

The screen may not appear correctly when turning power off and back on or when returning from power saving mode. If this happens, set this function to “On”.

Procedure

For details on the basic operation of the Administrator Settings menu, see [“Basic Operation of the Administrator Settings Menu” \(page 40\)](#).

1. Choose "Compatibility Mode" from the Administrator Settings menu.
2. Select “On” and press the control button to accept your selection.

Chapter 6 Using Smart Function

6-1. Adjustable Settings in Each Mode

The adjustable settings depend on the mode. (Non-adjustable or non-settable function cannot be selected.)

For instructions on how to adjust or set each function, refer to subsequent pages.

√: Adjustable - : Not adjustable

Function		Color Mode				
		User 1 to User 6	Game	Cinema	Web / sRGB	Paper
Smart Functions	Smart Resolution	√	√	√	-	√
	Smart Insight	√	√	√	-	-

6-2. Setting the Automatic Correction of Perceived Resolution

"Smart Resolution" tweaks the perceived resolution of the images. This function reduces blurring and enables images to be displayed vividly and clearly.

Adjustable range

1 - 5, Off

Procedure

All operations are to be performed using the control button (see ["Basic Operation of the Setting Menu" \(page 12\)](#)).

1. Press the control button while the operation guide is displayed.
The Setting menu appears.
2. Choose "Smart Functions" - "Smart Resolution".
3. Choose your desired setting and press the control button to accept your selection.

Note

- Alternatively, you can use G-Ignition (or G-Ignition Mobile) to set.
-

6-3. Setting the Automatic Brightness Correction

"Smart Insight Demolition" is used to analyze the images and correct the brightness for each pixel to make dark areas of images and areas that are too bright more visible.

In addition, "Saturation Enhancer" can be used to correct the saturation for each pixel.

You can make less-visible faint areas more visible.

Attention

- "Smart Insight Demolition" detects the displayed scenes and corrects the screen brightness automatically. Therefore, the brightness may change slowly, for example, during scene transitions.
 - If "Smart Insight" is set to "Off", "Saturation Enhancer" cannot be set.
-

Adjustable range

- Smart Insight Demolition
1 - 5, Off
- Saturation Enhancer
1 - 10, Off

Procedure

All operations are to be performed using the control button (see ["Basic Operation of the Setting Menu" \(page 12\)](#)).

Procedure

1. Press the control button while the operation guide is displayed.
The Setting menu appears.
2. Choose "Smart Functions" - "Smart Insight".
3. Select your desired setting in the "Smart Insight" menu.
4. To complete the setting, press the control button to accept the setting.
To continuously set "Saturation Enhancer", proceed to step 5.
5. Choose "Saturation Enhancer" in the "Smart Functions" sub menu.
6. Choose your desired setting and press the control button to accept your selection.

6-4. Checking the Setting Status

The setting status of the "Smart Functions" menu can be checked on the demo screen.

Switching to the demo mode

All operations are to be performed using the control button (see ["Basic Operation of the Setting Menu" \(page 12\)](#)).

1. Press the control button while the operation guide is displayed.
The Setting menu appears.
2. Choose "Smart Insight Demo".
3. Select "On" in the "Smart Insight Demo" menu and press the control button to accept your selection.
 - Left half of screen: The settings of the "Smart Functions" menu are applied.
 - Right half of screen: The settings of the "Smart Functions" menu are not applied.

Attention

- If "Smart Insight Demo" is set to "On", you can only make settings of the "Smart Functions".
-

Note

- During the demo mode, the "Smart Functions" menu can be displayed to change each setting.
 - To return to normal display from the demo screen, choose "Smart Functions" - "Smart Insight Demo" - "Off".
-

Chapter 7 Power Saving Functions

7-1. Setting Power Saving

● Monitor

This function allows you to specify whether to set the monitor into the power saving mode, depending on the state of an external device connected to it. When the monitor has shifted to the power saving mode, the images on the screen are not displayed.

Attention

- Turning off the main power switch or unplugging the power cord completely shuts off power supply to the monitor.
- Power consumption varies even when the stereo mini jack cable is connected.

Note

- The monitor changes to the power saving mode about 15 seconds after the signal input ceases to be detected.

Procedure

All operations are to be performed using the control button (see [“Basic Operation of the Setting Menu” \(page 12\)](#)).

1. Press the control button while the operation guide is displayed.
The Setting menu appears.
2. Choose "Preferences" - "Power Save".
3. Select "On" or "Off" and press the control button to accept your selection.

Power Saving System

When the external device connected is a PC

PC	Monitor	Power indicator
On	Operating	White or red
Power saving mode	Power saving mode	Orange
Power Off	Power saving mode	Orange

When the external device connected is not a PC

Ext. Device	Monitor	Power indicator
Power On	Operating	White
Power Off	Power saving mode	Orange

Exiting the power saving mode

If the monitor receives input, it automatically exits power saving mode and returns to the normal display mode.

7-2. Enabling/Disabling Automatic Brightness Adjustment

The ambient light sensor on the front side of the monitor detects the environmental brightness to adjust the screen brightness automatically and comfortably by using the Auto EcoView function.

Attention

- Be careful not to block the sensor on the lower side of the monitor when using the Auto EcoView function.
-

Procedure

All operations are to be performed using the control button (see [“Basic Operation of the Setting Menu” \(page 12\)](#)).

1. Press the control button while the operation guide is displayed.
The Setting menu appears.
 2. Choose "Preferences" - "EcoView Settings" - "Auto EcoView".
 3. Select "Standard", "High", or "Off" and press the control button to accept your selection.
-


Note

- As "Brightness" in the Setting menu is changed, the auto adjustment range for Auto EcoView is also changed.
 - Set to "High" if you feel a little brighter with "Standard" setting status.
-

Chapter 8 Troubleshooting

If a problem still remains after applying the suggested remedies, contact your local EIZO representative. Please refer to our web site (<http://gaming.eizo.com>) as well.

8-1. No Picture

Problem	Possible cause and remedy
1. No images are displayed <ul style="list-style-type: none"> Power indicator does not light up. 	<ul style="list-style-type: none"> Check whether the power cord is connected correctly. Turn the main power switch on. Turn off the main power, and then turn it on again a few minutes later. Press .
<ul style="list-style-type: none"> Power indicator lights up white or red. 	<ul style="list-style-type: none"> Increase “Brightness”, “Contrast”, or “Gain” in the Setting menu (see “4-2. To Perform Advanced Adjustments” (page 26)).
<ul style="list-style-type: none"> Power indicator lights up orange. 	<ul style="list-style-type: none"> Check whether the signal cable is connected properly. Check whether the external device is turned on. Operate the mouse or keyboard. Switch the input signals by pressing the input signal selector.
2. A message is displayed	This message appears when the signal is not input correctly even when the monitor functions correctly.
Example: <div data-bbox="316 1021 630 1120" style="border: 1px solid black; padding: 5px; margin: 10px 0;"> DisplayPort Signal Error </div>	<ul style="list-style-type: none"> The message shows that the input signal is out of the specified range. Try to use the following corrective actions for DisplayPort, DVI-D, or HDMI (PC signals) input. <ul style="list-style-type: none"> Check whether the PC is configured to meet the resolution and vertical scan frequency requirements of the monitor (see “3-1. Compatible Resolutions/Formats” (page 21)). Reboot the PC. Select an appropriate setting using the graphics board’s utility or other functions. For details, refer to the manual of the graphics board.

8-2. Imaging Problems

Problem	Possible cause and remedy
1. The screen is too bright or too dark.	<ul style="list-style-type: none"> Adjust the “Brightness” or “Contrast” in the Setting menu (see “4-2. To Perform Advanced Adjustments” (page 26)). (The LCD monitor backlight has a limited life span. When the screen becomes dark or begins to flicker, contact your local EIZO representative.) If the screen is too bright, try changing the Auto EcoView setting to “On” (see “7-2. Enabling/Disabling Automatic Brightness Adjustment” (page 45)). The monitor detects the environmental brightness to adjust the screen brightness automatically.
2. Characters are blurred.	<ul style="list-style-type: none"> Check whether the PC is configured to meet the resolution requirements of the monitor (see “3-1. Compatible Resolutions/Formats” (page 21)).
3. Afterimages appear	<ul style="list-style-type: none"> Afterimages are particular to LCD monitors. Avoid displaying the same image for a long time. Use the screen saver or power saving function to avoid displaying the same image for extended periods of time.
4. Green/red/blue/white dots or defective dots remain on the screen.	<ul style="list-style-type: none"> This is due to LCD panel characteristics and not a malfunction.
5. Interference patterns or pressure marks remain on the screen.	<ul style="list-style-type: none"> Leave the monitor with a white or black screen. The symptom may disappear.
6. Noise appears on the screen.	<ul style="list-style-type: none"> In the Setting menu, set “Overdrive” to “Off” (see “4-13. To Set Overdrive Intensity” (page 32)). When entering the HDCP signals, the normal images may not be displayed immediately.
7. The screen is whitish or blackish.	<ul style="list-style-type: none"> Use “Black Level” (see “4-10. To Adjust Black Level” (page 30)), and “Contrast” (see “4-4. To Adjust Contrast” (page 27)) in the Setting menu to adjust it.
8. The color shown on the display is not correct (for DisplayPort or HDMI input).	<ul style="list-style-type: none"> Change the color format of the video signal in “Signal” – “Input Color Format” under the Setting menu (see “4-15. Setting Color Format” (page 33)).
9. The screen flashes (for HDMI input).	<ul style="list-style-type: none"> Transmittable signals differ on the category of the HDMI cable. Check whether the cable support High Speed.
10. The screen is whitish or blackish (for DisplayPort or HDMI input).	<ul style="list-style-type: none"> Use “Signal” – “Input Range” under the Setting menu to adjust it (see “4-16. Setting Grayscale Tones” (page 34)).

8-3. Other Problems

Problem	Possible cause and remedy
1. The Setting menu does not appear.	<ul style="list-style-type: none"> • Check whether the operation lock function is active (see “Locking Operation Buttons” (page 40)).
2. No audio output.	<ul style="list-style-type: none"> • Check whether the stereo mini jack cable is connected properly. • Check the current external device and audio playback software to see whether they are configured correctly. • If DisplayPort or HDMI input is used, check the current external device and the “Analog Audio Input” setting in the Setting menu (see “5-4. Switching Sound Sources” (page 36)). • Monitor speaker <ul style="list-style-type: none"> - Check whether a speaker with built-in amplifier is attached to the line output connector. - Check whether volume is set to 0. • Headphones <ul style="list-style-type: none"> - Check whether volume is set to 0. • Speaker with built-in amplifier attached to the line output connector <ul style="list-style-type: none"> - Check whether the headphones are connected.
3. The volume of the speaker with built-in amplifier attached to the line output connector cannot be adjusted.	<ul style="list-style-type: none"> • The operation of this product does not allow you to adjust the volume of the external speaker because its Line Out outputs voices without processing them. Adjust the volume on the external speaker.
4. The “This operation is not available on current status.” message is displayed.	<ul style="list-style-type: none"> • This message appears when you try to adjust the volume with a speaker with a built-in amplifier is attached to the line output connector. Adjust the volume on the external speaker.
5. USB devices connected to the monitor do not work.	<ul style="list-style-type: none"> • Check whether the USB cable is connected correctly (see “2-4. Making Use of USB (Universal Serial Bus)” (page 19)). • Change the USB port to another one. If the PC or peripheral devices work correctly by changing the USB port, contact your local EIZO representative. (Refer to the manual of the PC for details.) • Reboot the PC. • If the peripheral devices work correctly when the PC and peripheral devices are connected directly, contact your local EIZO representative. • Check whether the PC and OS are USB compliant. (For USB compliance of the respective devices, consult their manufacturers.) • Check the PC’s BIOS setting for USB when using Windows. (Refer to the manual of the PC for details.)

Chapter 9 Attaching/Detaching the Parts

9-1. Optional Arm

An optional arm (or an optional stand) can be attached by removing the stand. Please refer to our web site for the corresponding optional arm (or optional stand). <http://www.eizoglobal.com>

Attention

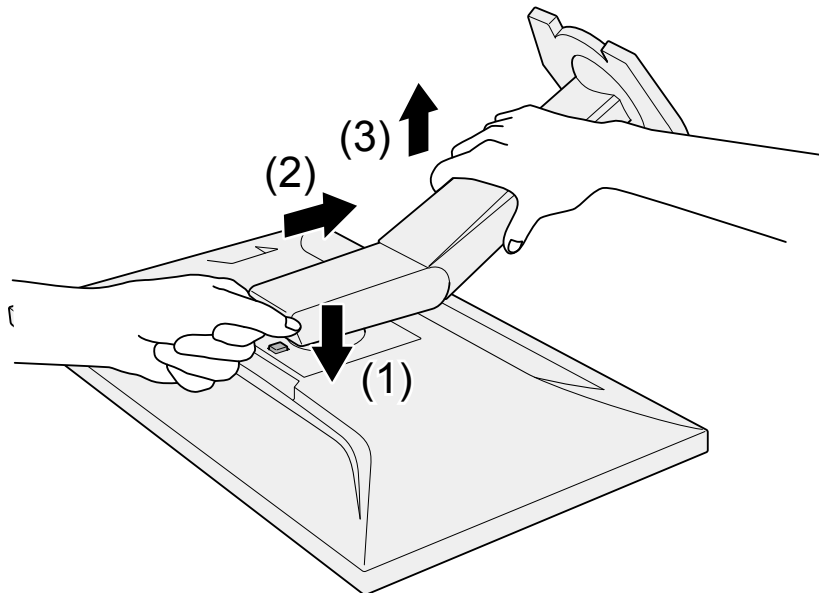
- When attaching an arm or stand, follow the instructions in the respective User's Manual.
- When using another manufacturer's arm or stand, confirm the following in advance and select one conforming to the VESA standard. Use the optional VESA mount screws when attaching.
 - Clearance between the screw holes: 100 mm × 100 mm
 - External dimensions of VESA mount for the arm or stand: 122 mm x 122 mm (max.)
 - Plate thickness: 2.6 mm
 - Strong enough to support weight of the monitor unit (excluding the stand) and attachments such as cables.
- When using an arm or stand, attach it to meet the following tilt angles of the monitor.
 - Up 45°, down 45° (horizontal display, and vertical display rotated 90 degrees clockwise)
- Connect the cables after attaching an arm or stand.
- The monitor and arm or stand are heavy. Dropping them may result in injury or equipment damage.

● Attaching the Optional Arm (Optional Stand)

1. Lay the LCD monitor on a soft cloth spread over on a stable surface with the panel surface facing down.

2. Remove the stand.

As shown below, keep the lock button pressed down (1) and slide the stand towards the stand base until it stops (2). Then, lift the stand up (3).



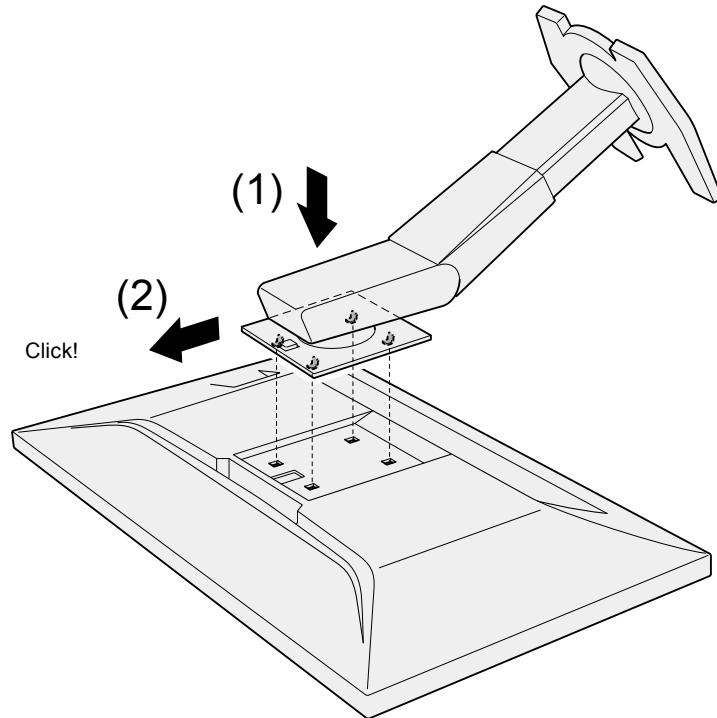
3. Attach the arm or stand to the monitor.

Use the optional VESA mount screws when attaching the arm or stand.

● Attaching the Original Stand

- 1. Detach the fixing screws on the optional arm (or optional stand) and remove the optional arm (or optional stand).**
- 2. Lay the LCD monitor on a soft cloth spread over on a stable surface with the panel surface facing down.**
- 3. Attach the original stand.**

As shown below, insert the four tabs on the stand into the square holes on the back panel (1) and slide the stand towards the upper portion of the monitor until you hear a click (2).

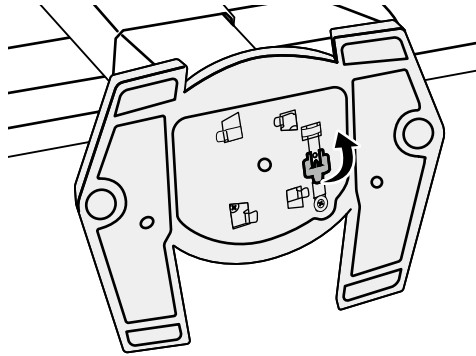


9-2. Stand Base

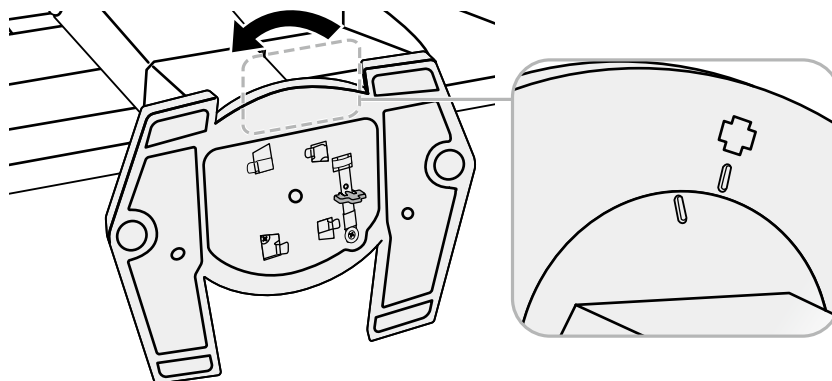
● Detachment Procedure

The stand base that was attached during setup can be detached using the following procedures.

1. Lay the LCD monitor on a soft cloth spread over on a stable surface with the panel surface facing down.
2. Raise the lever on the bottom of the stand base.



3. Turn the stand base in the counterclockwise direction to detach it.

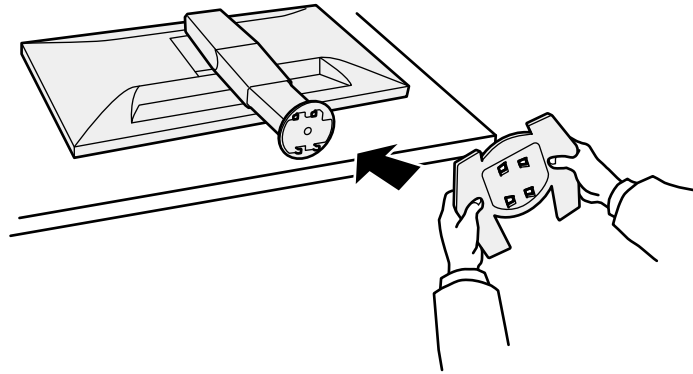


● Attachment Procedure

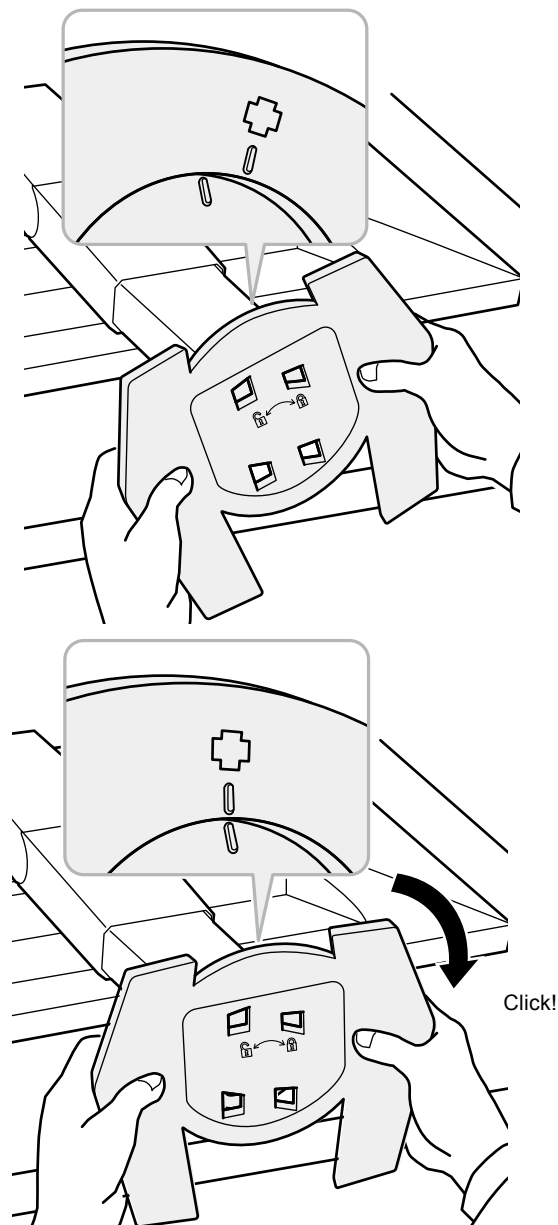
The once removed the stand base can be attached to the monitor again with the following procedures.

1. Lay the LCD monitor on a soft cloth spread over on a stable surface with the panel surface facing down.

2. Attach the stand base onto the stand brace.



3. Turn the stand base clockwise until it makes a clicking sound.

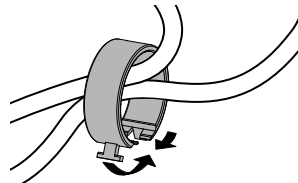


9-3. Cable Holder

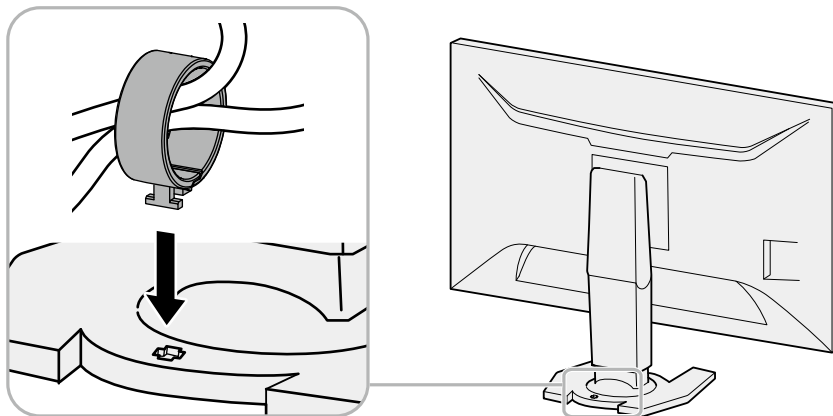
A cable holder is supplied with this product. Use the cable holder to organize the cables connected to the monitor.

● Attachment Procedure

1. Pass the cables through the cable holder.
2. Shut the bottom of the cable holder.

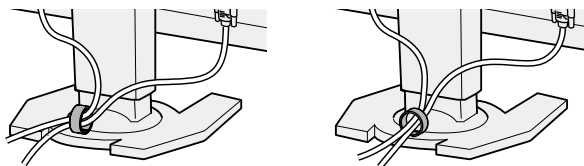


3. While holding the shut section, insert the cable holder into the stand base.



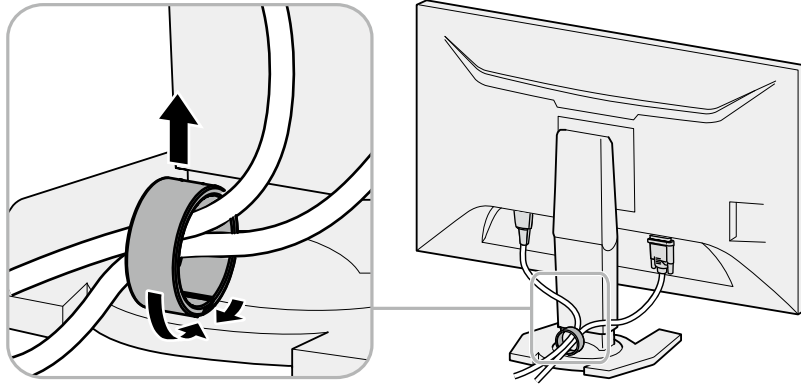
Note

- The cable holder can be inserted either perpendicular or parallel to the stand. Change the direction of the cable holder according to the condition of the cables.



● Detachment Procedure

1. Shut the bottom of the cable holder.
2. While holding the shut section, lift the cable holder upward to remove it from the stand base.



Chapter 10 Specifications

Specifications

LCD Panel	Type	IPS (Anti-Glare)
	Backlight	LED
	Size	68.5 cm (27.0 inch) (68.5 cm diagonal)
	Resolution	2560 dots x 1440 lines
	Display Size (H x V)	597 mm x 336 mm
	Pixel Pitch	0.233 mm
	Display Colors	8-bit colors: 16.77 million colors
	Viewing Angle (H x V, typical)	178° / 178°
	Maximum Brightness	350 cd/m ²
	Response Time (typical)	Gray-to-gray ^{*1} : 4 ms (Overdrive setting: Enhanced)
	Contrast Ratio	1000:1
Video Signals	Input Terminals	DisplayPort (HDCP) x 1 HDMI (HDCP) TypeA ^{*2} x 2 DVI-D (Single Link / Dual Link, HDCP) x 1
	Digital Scanning Frequency (H / V)	DisplayPort: H : 31 kHz - 222 kHz V : 49 Hz - 144 Hz • FreeSync (High) : 56 Hz - 144 Hz • FreeSync (Low) : 35 Hz - 90 Hz
		HDMI: 15 kHz - 158 kHz / 23 Hz - 144 Hz DVI : 31 kHz - 159 kHz / 59 Hz - 144 Hz
	Max. Dot Clock	DisplayPort: 587 MHz HDMI: 286 MHz DVI : 326 MHz
Audio	Audio Input Format (DisplayPort, HDMI)	2 ch linear PCM (32 kHz / 44.1 kHz / 48 kHz / 88.2 kHz / 96 kHz)
	Speakers	1.0 W + 1.0 W (8 Ω)
	Headphones	2 mW + 2 mW (32 Ω)
	Input Terminals	LINE IN: Stereo mini jack x 1 DisplayPort x 1 (shared with video signals), HDMI Type A ^{*2} x 2 (shared with video signals)
	Output Terminals	Headphones: Stereo mini jack x 1 LINE OUT: Stereo mini jack x 1
USB	Port	Upstream port x 1, downstream port x 2
	Standard	USB Specification Revision 3.0
	Communication Speed	5 Gbps (super), 480 Mbps (high), 12 Mbps (full), 1.5 Mbps (low)
	Supply Current	Downstream: Max. 900 mA per port
Bluetooth	Standard	Bluetooth Low Energy
	Frequency Range	2.4 GHz ISM band
Power supply	Input	100 - 240 VAC ±10 %, 50 / 60 Hz 0.90 A - 0.45 A
	Maximum Power Consumption	87 W or less
	Power Save Mode	0.5 W or less (DisplayPort input, no USB device connected)
	Standby Mode	0.5 W or less (when no USB device is connected)
	Power consumption when the main power is off	0 W

Physical Specifications	Dimensions	618.8 mm × 405.1 to 550.1 mm × 253.2 mm (W × H × D) (Tilt: 35°) 618.8 mm × 393.7 to 548.7 mm × 197.9 mm (W × H × D) (Tilt: 0°)
	Dimensions (Without Stand)	618.8 mm × 362.1 mm × 56.3 mm (W × H × D)
	Net Weight	Approx. 7.1 kg
	Net Weight (Without Stand)	Approx. 4.6 kg
	Height Adjustment Range	145 mm (Tilt: 35°) / 155 mm (Tilt: 0°)
	Tilt	Up 35°, down 5°
Operating Environmental Requirements	Temperature	5 °C to 35 °C
	Humidity	20 % to 80 % R.H. (no condensation)
	Air Pressure	540 hPa to 1,060 hPa
Transportation/Storage Environmental Requirements	Temperature	-20 °C to 60 °C
	Humidity	10 % to 90 % R.H. (no condensation)
	Air Pressure	200 hPa to 1,060 hPa

*1 Average value of response time in the gray-to-gray area.

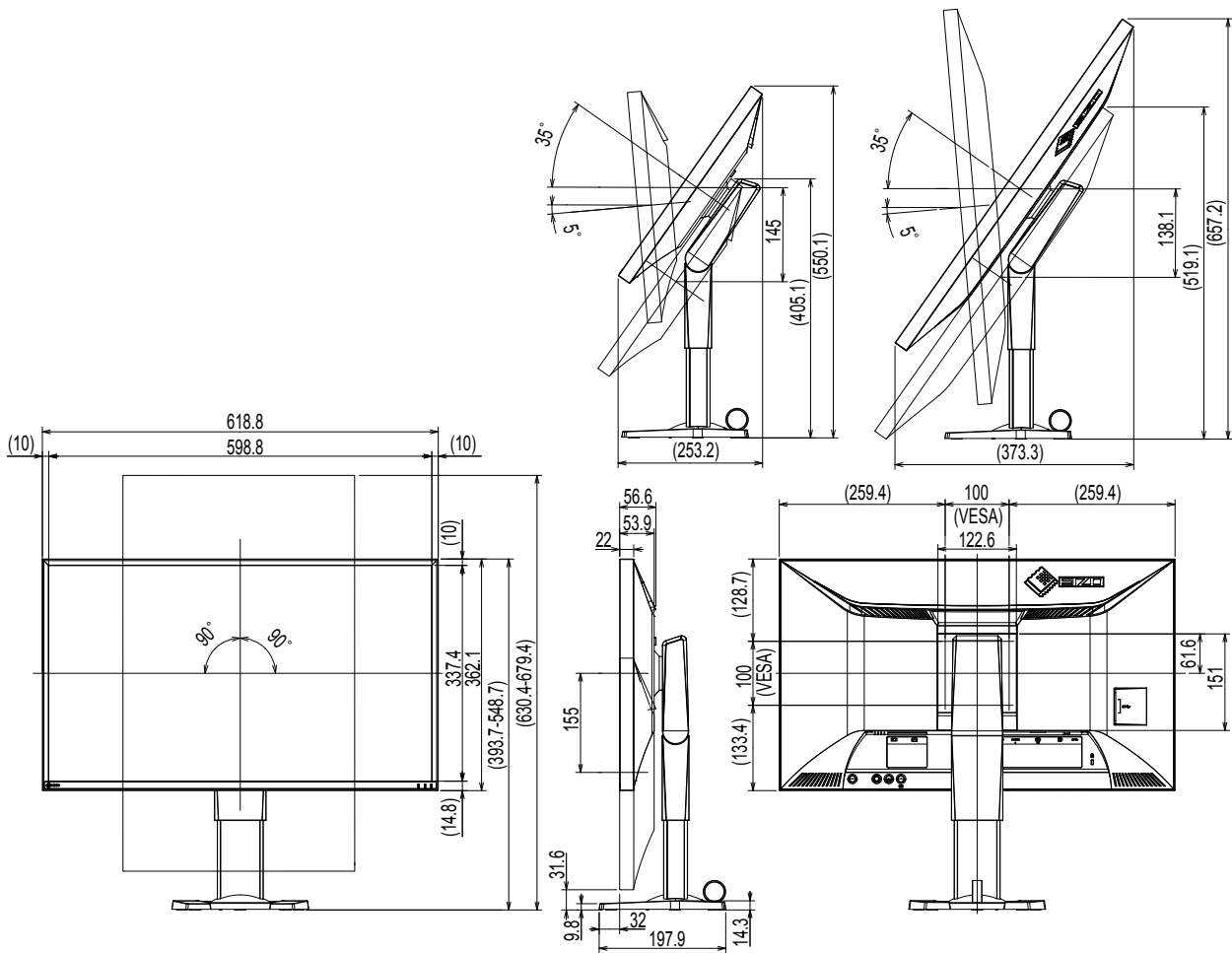
*2 HDMI CEC (or mutual control) is not supported.

Main Default Settings

Color Mode	HDMI1 input: User3 HDMI2 input: User5 DVI input: User1 DisplayPort input: User1
Picture Expansion	DisplayPort input: Aspect Ratio HDMI (PC signal) input: Aspect Ratio DVI-D input: Aspect Ratio HDMI (video signal) input: Auto
Sound Level	0
Bluetooth Function	Off
Auto EcoView	Standard
Auto Input Detection	Off
Power Save	On
Indicator	4
Languages	English
On-Screen Logo	On
Key Lock	Off
Signal Format	FreeSync (High)

Outside Dimensions

Unit: mm



Accessories

Signal cable	DD200DL (DVI-DVI) (Dual Link)
Signal cable	PM200 (Mini DisplayPort-DisplayPort)
Signal cable	HH200HS (HDMI-HDMI)
Cleaning Kit	EIZO "ScreenCleaner"

For the latest information about accessories, refer to our web site.

<http://www.eizoglobal.com>

Chapter 11 Glossary

Color Space

YUV and RGB, etc. are available. YUV expresses the color by using the luminance (Y), the color difference of Blue (U), and the color difference of Red (V).

RGB does this by using the gradation of the 3 colors, Red (R), Green (G), and Blue (B).

DisplayPort

This is the interface standard for image signals standardized in accordance with VESA. It was developed with the aim of replacing the conventional DVI and analog interfaces, and it can transmit high resolution signals and sound signals, which DVI does not support. The standard size and mini size connectors have been standardized.

DVI (Digital Visual Interface)

DVI is a digital interface standard. DVI allows direct transmission of the PC's digital data without loss.

This adopts the TMDS transmission system and DVI connectors. There are two types of DVI connectors. One is a DVI-D connector for digital signal input only. The other is a DVI-I connector for both digital and analog signal inputs.

DVI DMPM (DVI Digital Monitor Power Management)

DVI DMPM is a digital interface power saving function. The "Monitor ON (operating mode)" and "Active Off (power saving mode)" are indispensable for DVI DMPM as the monitor's power mode.

FPS (First Person Shooter)

This refers to shooting games where the player(s) moves through the world in the game with a first-person perspective as the main character, fighting enemies.

FreeSync

FreeSync is a display synchronization technology developed by Advanced Micro Devices (AMD) designed for flat panel displays. The refresh timing is dynamically changed according to the degree of load required for image processing carried out by the PC, to prevent motion images from becoming unnatural, or the screen from being incompletely updated in a high load situation. To use FreeSync, the compatible monitor and the graphics board are required.

Gain

This is used to adjust each color parameter for red, green and blue. An LCD monitor displays the color by the light passing through the panel color filter. Red, green and blue are the three primary colors. All the colors on the screen are displayed by combining these three colors. The color tone can be changed by adjusting the light intensity (volume) passing through each color's filter.

Gamma

Generally, the monitor brightness varies nonlinearly with the input signal level, which is called "Gamma Characteristic". When the gamma value is low, the middle tone area is displayed brighter, and darker when high. Changes to the gamma value will not affect contrast. A gamma value appropriate for the display content should be selected.

HDCP (High-bandwidth Digital Content Protection)

Digital signal coding system developed to copy-protect the digital contents, such as video, music, etc.

This helps to transmit the digital contents safely by coding the digital contents sent via the DVI or HDMI connector on the output side and decoding them on the input side.

Any digital contents cannot be reproduced if both of the equipments on the output and input sides are not applicable to HDCP system.

HDMI (High-Definition Multimedia Interface)

HDMI is a digital interface standard, developed for consumer electrical appliance or AV device.

This standard is issued on the basis of the DVI standard which is one of an interface specification for the connection between a PC and a monitor. The projected image, sound and control signal without compressed enable to be transmitted with one cable.

Overdrive

This technology enhances response speed by increasing the potential difference at the time of motion of liquid-crystal pixels, and it is used for liquid-crystal TV sets and others in general. It provides clear-cut three-dimensional display with little afterimage, by improving response speed of the intermediate graduation range that frequently appears in moving images.

Resolution

The LCD panel consists of numerous pixels of specified size, which are illuminated to form images. This monitor consists of horizontal 2560 pixels and 1440 vertical pixels. At a resolution of 2560 × 1440, all pixels are illuminated as a full screen (1:1).

RTS (Real-time Strategy)

This refers to games where the player(s) competes while strategizing under conditions that progress in real time.

sRGB (Standard RGB)

International standard for color reproduction and color space among peripheral devices (such as monitors, printers, digital cameras, scanners). As a form of simple color matching for the Internet, colors can be displayed using tones close to those of the transmission and reception devices.

Temperature

Color temperature is a method to measure the white color tone, generally indicated in degrees Kelvin. The screen becomes reddish at a low temperature, and bluish at a high temperature, like the flame temperature.

5000 K: Slightly reddish white

6500 K: White referred to as daylight-balanced color

9300 K: Slightly bluish white

TMDS (Transition Minimized Differential Signaling)

A signal transmission system for digital interface.

Appendix

Trademark

The terms HDMI and HDMI High-Definition Multimedia Interface, and the HDMI Logo are trademarks or registered trademarks of HDMI Licensing, LLC in the United States and other countries.

The DisplayPort Compliance Logo and VESA are registered trademarks of the Video Electronics Standards Association.

Acrobat, Adobe, Adobe AIR, and Photoshop are registered trademarks of Adobe Systems Incorporated in the United States and other countries.

AMD Athlon, AMD Opteron, and FreeSync are trademarks of Advanced Micro Devices, Inc.

Apple, ColorSync, iMac, iPad, iPhone, Mac, MacBook, Mac OS, and QuickTime are registered trademarks of Apple Inc.

iOS is a name of Apple Inc.'s operating system. iOS is a trademark or registered trademark of Cisco Systems, Inc. in the U.S. and other countries and is used under license.

ColorMunki, Eye-One, and X-Rite are registered trademarks or trademarks of X-Rite Incorporated in the United States and/or other countries.

ColorVision and ColorVision Spyder2 are registered trademarks of DataColor Holding AG in the United States.

Spyder3 and Spyder4 are trademarks of DataColor Holding AG.

ENERGY STAR is a registered trademark of the United States Environmental Protection Agency in the United States and other countries.

GRACoL and IDEAlliance are registered trademarks of International Digital Enterprise Alliance.

Linux is a registered trademark of Linus Torvalds.

NextWindow is a trademark of NextWindow Ltd.

Intel, Intel Core, Pentium, and Thunderbolt are trademarks of Intel Corporation in the U.S. and/or other countries.

PlayStation is a registered trademark of Sony Computer Entertainment Inc.

PSP and PS3 are trademarks of Sony Computer Entertainment Inc.

RealPlayer is a registered trademark of RealNetworks, Inc.

Red Hat is a registered trademark of Red Hat, Inc.

TouchWare is a trademark of 3M Touch Systems, Inc.

Windows, Windows Media, Windows Vista, SQL Server, Xbox 360, and Internet Explorer are registered trademarks of Microsoft Corporation in the United States and other countries.

Android and YouTube are registered trademarks of Google Inc.

Firefox is a registered trademark of the Mozilla Foundation.

Kensington and MicroSaver are registered trademarks of ACCO Brands Corporation.

OpenGL is a registered trademark of Silicon Graphics, Inc. in the United States and other countries.

The Bluetooth word mark and logos are registered trademarks owned by Bluetooth SIG, Inc. and any use of such marks by EIZO Corporation is under license.

Twitter is a registered trademark of Twitter Inc. in the United States and/or other countries.

The SuperSpeed USB Trident logo is a registered trademark of USB Implementers Forum, Inc.



EIZO, the EIZO Logo, ColorEdge, DuraVision, FlexScan, FORIS, RadiCS, RadiForce, RadiNET, Raptor, and ScreenManager are registered trademarks of EIZO Corporation in Japan and other countries.

ColorNavigator, EcoView NET, EIZO EasyPIX, EIZO Monitor Configurator, EIZO ScreenSlicer, G-Ignition, Re/Vue, Screen Administrator and UniColor Pro are trademarks of EIZO Corporation.

All other company and product names are trademarks or registered trademarks of their respective owners.

License / Copyright

A round gothic bold bit map font designed by Ricoh is used for the characters displayed on this product.

FCC Declaration of Conformity

For U.S.A. , Canada, etc. (rated 100-120 Vac) Only

FCC Declaration of Conformity

We, the Responsible Party

EIZO Inc.

5710 Warland Drive, Cypress, CA 90630

Phone: (562) 431-5011

declare that the product

Trade name: EIZO

Model: FORIS FS2735

is in conformity with Part 15 of the FCC Rules. Operation of this product is subject to the following two conditions: (1) this device may not cause harmful interference, and (2) this device must accept any interference received, including interference that may cause undesired operation.

This equipment has been tested and found to comply with the limits for a Class B digital device, pursuant to Part 15 of the FCC Rules. These limits are designed to provide reasonable protection against harmful interference in a residential installation. This equipment generates, uses, and can radiate radio frequency energy and, if not installed and used in accordance with the instructions, may cause harmful interference to radio communications. However, there is no guarantee that interference will not occur in a particular installation. If this equipment does cause harmful interference to radio or television reception, which can be determined by turning the equipment off and on, the user is encouraged to try to correct the interference by one or more of the following measures.

- * Reorient or relocate the receiving antenna.
- * Increase the separation between the equipment and receiver.
- * Connect the equipment into an outlet on a circuit different from that to which the receiver is connected.
- * Consult the dealer or an experienced radio/TV technician for help.

Changes or modifications not expressly approved by the party responsible for compliance could void the user's authority to operate the equipment.

Note

Use the attached specified cable below or EIZO signal cable with this monitor so as to keep interference within the limits of a Class B digital device.

- AC Cord
- Shielded Signal Cable (enclosed)

Canadian Notice

This Class B digital apparatus complies with Canadian ICES-003.

Cet appareil numérique de la classe B est conforme à la norme NMB-003 du Canada.

FCC CAUTION / Canadian Notice

FCC CAUTION

Changes or modifications not expressly approved by the party responsible for compliance could void the user's authority to operate the equipment.

This transmitter must not be co-located or operated in conjunction with any other antenna or transmitter.

Canadian Notice

This device complies with Industry Canada license-exempt RSS standard(s). Operation is subject to the following two conditions: (1) this device may not cause interference, and (2) this device must accept any interference, including interference that may cause undesired operation of the device.

Le présent appareil est conforme aux CNR d'Industrie Canada applicables aux appareils radio exempts de licence. L'exploitation est autorisée aux deux conditions suivantes : (1) l'appareil ne doit pas produire de brouillage, et (2) l'appareil doit accepter tout brouillage subi, même si le brouillage est susceptible d'en compromettre le fonctionnement.

CE Declaration of Conformity

This equipment complies with the essential requirements of the European Union directive 2014/53/EU.

БЪЛГАРСКИ	С настоящото EIZO Corporation декларира, че този тип радиосъоръжение FORIS FS2735 е в съответствие с Директива 2014/53/EC.	Lietuvių	Aš, EIZO Corporation, patvirtinu, kad radijo įrenginių tipas FORIS FS2735 atitinka Direktyvą 2014/53/ES.
ČEŠTINA	Tímto EIZO Corporation prohlašuje, že typ rádiového zařízení FORIS FS2735 je v souladu se směrnicí 2014/53/EU.	Malti	B'dan, EIZO Corporation, niddikjara li dan it-tip ta' tagħmir tar-radju FORIS FS2735 huwa konformi mad-Direttiva 2014/53/UE.
DANSK	Hermed erklærer EIZO Corporation, at radioudstyr typen FORIS FS2735 er i overensstemmelse med direktiv 2014/53/EU.	Magyar	EIZO Corporation igazolja, hogy a FORIS FS2735 típusú rádióberendezés megfelel a 2014/53/EU irányelvnek.
Deutsch	Hiermit erkläre EIZO Corporation, dass der Funkanlagen typ FORIS FS2735 der Richtlinie 2014/53/EU entspricht.	Nederlands	Hierbij verklaar ik, EIZO Corporation, dat het type radioapparatuur FORIS FS2735 conform is met Richtlijn 2014/53/EU.
Eesti	Käesolevaga deklareerib EIZO Corporation, et käesolev raadioseadme tüüp FORIS FS2735 vastab direktiivi 2014/53/EL nõuetele.	Norsk	Med dette erklærer EIZO Corporation at radioustyrstypen FORIS FS2735 er i samsvar med direktiv 2014/53/EU.
English	Hereby, EIZO Corporation declares that the radio equipment type FORIS FS2735 is in compliance with Directive 2014/53/EU.	Polski	EIZO Corporation niniejszym oświadcza, że typ urządzenia radiowego FORIS FS2735 jest zgodny z dyrektywą 2014/53/UE.
Español	Por la presente, EIZO Corporation declara que el tipo de equipo radioeléctrico FORIS FS2735 es conforme con la Directiva 2014/53/UE.	Português	O(a) abaixo assinado(a) EIZO Corporation declara que o presente tipo de equipamento de rádio FORIS FS2735 está em conformidade com a Diretiva 2014/53/UE.
Ελληνικά	Με την παρούσα ο/η EIZO Corporation, δηλώνει ότι ο ραδιοεξοπλισμός FORIS FS2735 πληροί την οδηγία 2014/53/EE.	Română	Prin prezenta, EIZO Corporation declară că tipul de echipamente radio FORIS FS2735 este în conformitate cu Directiva 2014/53/UE.
Français	Le soussigné, EIZO Corporation, déclare que l'équipement radioélectrique du type FORIS FS2735 est conforme à la directive 2014/53/UE.	Slovenščina	EIZO Corporation potrjuje, da je tip radijske opreme FORIS FS2735 skladen z Direktivo 2014/53/EU.
HRVATSKI	EIZO Corporation ovime izjavljuje da je radijska oprema tipa FORIS FS2735 u skladu s Direktivom 2014/53/EU.	Slovenčina	EIZO Corporation týmto vyhlasuje, že rádiové zariadenie typu FORIS FS2735 je v súlade so smernicou 2014/53/EÚ.
Íslenska	Hér með lýsir EIZO Corporation því yfir að útlarpsbúnaðurinn af tegund FORIS FS2735 sé í samræmi við tilskipun 2014/53/ESB.	Suomi	EIZO Corporation vakuuttaa, että radio laitetyyppi FORIS FS2735 on direktiivin 2014/53/EU mukainen.
Italiano	Il fabbricante, EIZO Corporation, dichiara che il tipo di apparecchiatura radio FORIS FS2735 è conforme alla direttiva 2014/53/UE.	Svenska	Härmed försäkrar EIZO Corporation att denna typ av radioutrustning FORIS FS2735 överensstämmer med direktiv 2014/53/EU.
Latviešu	Ar šo EIZO Corporation deklarē, ka radioiekārta FORIS FS2735 atbilst Direktīvai 2014/53/ES.		

LIMITED WARRANTY

LIMITED WARRANTY

EIZO Corporation (hereinafter referred to as “**EIZO**”) and distributors authorized by EIZO (hereinafter referred to as the “**Distributors**”) warrant, subject to and in accordance with the terms of this limited warranty (hereinafter referred to as the “**Warranty**”), to the original purchaser (hereinafter referred to as the “**Original Purchaser**”) who purchased the product specified in this document (hereinafter referred to as the “**Product**”) from EIZO or Distributors, that EIZO and Distributors shall, at their sole discretion, either repair or replace the Product at no charge if the Original Purchaser becomes aware within the Warranty Period (defined below) that the Product malfunctions or is damaged in the course of normal use of the Product in accordance with the description in the instruction manual attached to the Product (hereinafter referred to as the “**User’s Manual**”).

The period of this Warranty is limited to (i) five (5) years from the date of purchase of the Product; or, limited to the expiration of (ii) 30,000 hours of its use of the Product (hereinafter referred to as the “**Warranty Period**”). EIZO and Distributors shall bear no liability or obligation with regard to the Product in relation to the Original Purchaser or any third parties other than as provided under this Warranty.

EIZO and Distributors will cease to hold or store any parts (excluding design parts) of the Product upon the expiration of five (5) years after the production of such parts is discontinued. In repairing the monitor, EIZO and Distributors will use renewal parts which comply with our QC standards. If the unit cannot be repaired due to its condition or the stockout of a relevant part, EIZO and Distributors may offer the replacement by a product with equivalent performance instead of repairing it.

The Warranty is valid only in the countries or territories where the Distributors are located. The Warranty does not restrict any legal rights of the Original Purchaser.

Notwithstanding any other provision of this Warranty, EIZO and Distributors shall have no obligation under this Warranty whatsoever in any of the cases as set forth below:

- (a) Any defect of the Product caused by freight damage, modification, alteration, abuse, misuse, accident, incorrect installation, disaster, faulty maintenance and/or improper repair by third party other than EIZO and Distributors;
- (b) Any incompatibility of the Product due to possible technical innovations and/or regulations;
- (c) Any deterioration of the sensor;
- (d) Any deterioration of display performance caused by the deterioration of expendable parts such as the LCD panel and/or backlight, etc. (e.g. changes in brightness, changes in brightness uniformity, changes in color, changes in color uniformity, defects in pixels including burnt pixels, etc.);
- (e) Any defect of the Product caused by external equipment;
- (f) Any defect of the Product on which the original serial number has been altered or removed;
- (g) Any defect of the Product caused by liquid leaking from battery;
- (h) Any normal deterioration of the product, particularly that of consumables, accessories, and/or attachments (e.g. batteries, buttons, rotating parts, remote control, cables, User’s Manual, etc.); and
- (i) Any deformation, discoloration, and/or warp of the exterior of the product including that of the surface of the LCD panel.

To obtain service under the Warranty, the Original Purchaser must deliver the Product, freight prepaid, in its original package or other adequate package affording an equal degree of protection, assuming the risk of damage and/or loss in transit, to the local Distributor. The Original Purchaser must present proof of purchase of the Product and the date of such purchase when requesting services under the Warranty.

The Warranty Period for any replaced and/or repaired product under this Warranty shall expire at the end of the original Warranty Period.

EIZO OR DISTRIBUTORS ARE NOT RESPONSIBLE FOR ANY DAMAGE TO, OR LOSS OF, DATA OR OTHER INFORMATION STORED IN ANY MEDIA OR ANY PART OF ANY PRODUCT RETURNED TO EIZO OR DISTRIBUTORS FOR REPAIR.

EIZO AND DISTRIBUTORS MAKE NO FURTHER WARRANTIES, EXPRESSED OR IMPLIED, WITH RESPECT TO THE PRODUCT AND ITS QUALITY, PERFORMANCE, MERCHANTABILITY OR FITNESS FOR ANY PARTICULAR USE. IN NO EVENT SHALL EIZO OR DISTRIBUTORS BE LIABLE FOR ANY INCIDENTAL, INDIRECT, SPECIAL, CONSEQUENTIAL OR OTHER DAMAGE WHATSOEVER (INCLUDING, WITHOUT LIMITATION, DAMAGES FOR LOSS OF PROFIT, BUSINESS INTERRUPTION, LOSS OF BUSINESS INFORMATION, OR ANY OTHER PECUNIARY LOSS) ARISING OUT OF THE USE OR INABILITY TO USE THE PRODUCT OR IN ANY CONNECTION WITH THE PRODUCT, WHETHER BASED ON CONTRACT, TORT, NEGLIGENCE, STRICT LIABILITY OR OTHERWISE, EVEN IF EIZO OR DISTRIBUTORS HAVE BEEN ADVISED OF THE POSSIBILITY OF SUCH DAMAGES. THIS EXCLUSION ALSO INCLUDES ANY LIABILITY WHICH MAY ARISE OUT OF THIRD PARTY CLAIMS AGAINST THE ORIGINAL PURCHASER. THE ESSENCE OF THIS PROVISION IS TO LIMIT THE POTENTIAL LIABILITY OF EIZO AND DISTRIBUTORS ARISING OUT OF THIS LIMITED WARRANTY AND/OR SALES.

BEGRENZTE GARANTIE

EIZO Corporation (im Weiteren als „**EIZO**“ bezeichnet) und die Vertragsimporteure von EIZO (im Weiteren als „**Vertrieb(e)**“ bezeichnet) garantieren dem ursprünglichen Käufer (im Weiteren als „**Erstkäufer**“ bezeichnet), der das in diesem Dokument vorgegebene Produkt (im Weiteren als „**Produkt**“ bezeichnet) von EIZO oder einem Vertrieb erworben hat, gemäß den Bedingungen dieser beschränkten Garantie (im Weiteren als „**Garantie**“ bezeichnet), dass EIZO und der Vertrieb nach eigenem Ermessen das Produkt entweder kostenlos reparieren oder austauschen, falls der Erstkäufer innerhalb der Garantiefrist (weiter unten festgelegt) eine Fehlfunktion bzw. Beschädigung des Produkts feststellt, die während des normalen Gebrauchs des Produkts gemäß den Anweisungen des zum Lieferumfang des Produkts gehörenden Benutzerhandbuchs (im Weiteren als „**Benutzerhandbuch**“ bezeichnet) aufgetreten ist.

Die Dauer der Garantieleistung beträgt (i) fünf (5) Jahre ab dem Erstverkaufsdatum des Produkts oder (ii) 30.000 Betriebsstunden des Produkts (im Weiteren als „**Garantiefrist**“ bezeichnet). EIZO und die Vertriebe übernehmen über den Rahmen dieser Garantie hinaus hinsichtlich des Produkts keinerlei Haftung oder Verpflichtung dem Erstkäufer oder Dritten gegenüber.

Nach Ablauf von fünf (5) Jahren nach Ende der Produktion solcher Teile werden EIZO und Vertriebshändler keine Teile (mit Ausnahme von Konstruktionsteilen) mehr vorhalten und lagern. EIZO und seine Vertriebspartner verpflichten sich, bei einer etwaigen Reparatur des Monitors ausschließlich Produkte gemäß den EIZO-Qualitätssicherungsstandards zu verwenden. Wenn das Gerät aufgrund seines Zustands oder eines Fehlbestands bei einem entsprechenden Teil nicht repariert werden kann, können EIZO und Vertriebshändler statt der Reparatur des Geräts den Austausch gegen ein Produkt mit gleichwertiger Leistung anbieten.

Diese Garantie gilt nur in Ländern oder Gebieten, in denen sich Vertriebe befinden. Die gesetzlichen Gewährleistungsrechte des Erstkäufers gegenüber dem Verkäufer werden durch diese Garantie nicht berührt.

EIZO und die Vertriebe besitzen im Rahmen dieser Garantie keinerlei Verpflichtung in den folgenden Fällen:

- (a) Produktdefekte, die auf Frachtschäden, Modifikation, Nachgestaltung, Missbrauch, Fehlbedienung, Unfälle, unsachgemäße Installation, Naturkatastrophen, fehlerhafte Wartung und/oder unsachgemäße Reparatur durch eine andere Partei als EIZO und die Vertriebe zurückzuführen sind.
- (b) Eine Inkompatibilität des Produkts aufgrund von technischen Neuerungen und/oder neuen Bestimmungen, die nach dem Kauf in Kraft treten.
- (c) Jegliche Verschlechterung des Sensors.
- (d) Jegliche Verschlechterung der Bildschirmleistung, die durch Verschleißteile wie das LCD-Panel und/oder die Hintergrundbeleuchtung usw. hervorgerufen werden (z.B. Veränderungen von Helligkeit oder Helligkeitsverteilung, Veränderungen von Farbe oder Farbverteilung, Pixeldefekte einschließlich von durchgebrannten Pixeln usw.).
- (e) Produktdefekte, die durch externe Geräte verursacht werden.
- (f) Jeglicher Defekt eines Produkts, dessen ursprüngliche Seriennummer geändert oder entfernt wurde.
- (g) Produktdefekte, die durch Austritt von Batterieflüssigkeit verursacht werden.
- (h) Normale Abnutzung des Produkts, insbesondere von Verbrauchsteilen, Zubehörteilen und/oder Beilagen (z.B. Batterien, Tasten, drehbare Teile, Fernbedienung, Kabel, Benutzerhandbuch usw.); sowie
- (i) Verformungen, Verfärbungen und/oder Verziehungen am Produktäußeren, einschließlich der Oberfläche des LCD-Panels.

Bei Inanspruchnahme der Garantieleistung ist der Erstkäufer verpflichtet, das Produkt auf eigene Kosten und in der Originalverpackung bzw. einer anderen geeigneten Verpackung, die einen gleichwertigen Schutz gegen Transportschäden bietet, an den örtlichen Vertrieb zu übersenden, wobei der Erstkäufer das Transportrisiko gegenüber Schäden und/oder Verlust trägt. Zum Zeitpunkt der Inanspruchnahme der Garantieleistung muss der Erstkäufer einen Verkaufsbeleg vorweisen, auf dem das Kaufdatum angegeben ist.

Die Garantiefrist für ein im Rahmen dieser Garantie ausgetauschtes und/oder repariertes Produkt erlischt nach Ablauf der ursprünglichen Garantiefrist.

EIZO ODER DIE EIZO-VERTRAGSIMPORTEURE HAFTEN NICHT FÜR ZERSTÖRTE DATENBESTÄNDE ODER DIE KOSTEN DER WIEDERBESCHAFFUNG DIESER DATENBESTÄNDE AUF JEDLICHEN DATENTRÄGERN ODER TEILEN DES PRODUKTS, DIE IM RAHMEN DER GARANTIE BEI EIZO ODER DEN EIZO-VERTRAGSIMPORTEUREN ZUR REPARATUR EINGEREICHT WURDEN.

EIZO UND DIE EIZO-VERTRAGSIMPORTEURE GEBEN WEDER EXPLIZITE NOCH IMPLIZITE GARANTIEEN IN BEZUG AUF DIESES PRODUKT UND SEINE QUALITÄT, LEISTUNG, VERKÄUFLICHKEIT ODER EIGNUNG FÜR EINEN BESTIMMTEN ZWECK. AUF KEINEN FALL SIND EIZO ODER DIE EIZO-VERTRAGSIMPORTEURE VERANTWORTLICH FÜR JEDLICHE ZUFÄLLIGE, INDIREKTE, SPEZIELLE, FOLGE- ODER ANDERE SCHÄDEN JEDLICHER ART (EINSCHLIESSLICH OHNE JEDE BEGRENZUNG SCHÄDEN BEZÜGLICH PROFITVERLUST, GESCHÄFTSUNTERBRECHUNG, VERLUST VON GESCHÄFTSINFORMATION ODER JEDLICHE ANDEREN FINANZIELLEN EINBUSSEN), DIE DURCH DIE VERWENDUNG DES PRODUKTES ODER DIE UNFÄHIGKEIT ZUR VERWENDUNG DES PRODUKTES ODER IN JEDLICHER BEZIEHUNG MIT DEM PRODUKT, SEI ES BASIEREND AUF VERTRAG, SCHADENSERSATZ, NACHLAESSIGKEIT, STRIKTE HAFTPFLICHT ODER ANDEREN FORDERUNGEN ENTSTEHEN, AUCH WENN EIZO UND DIE EIZO-VERTRAGSIMPORTEURE IM VORAUS ÜBER DIE MÖGLICHKEIT SOLCHER SCHÄDEN INFORMIERT WURDEN. DIESER AUSSCHLUSS ENTHÄLT AUCH JEDE HAFTPFLICHT, DIE AUS FORDERUNGEN DRITTER GEGEN DEN ERSTKÄUFER ENTSTEHEN KANN. ZWECK DIESER KLAUSEL IST ES, DIE HAFTUNG VON EIZO UND DEN VERTRIEBEN GEGENÜBER FORDERUNGEN ZU BEGRENZEN, DIE AUS DIESER BESCHRÄNKTEN GARANTIE UND/ODER DEM VERKAUF ENTSTEHEN KÖNNEN.

GARANTIE LIMITÉE

EIZO Corporation (ci-après dénommé « **EIZO** ») et les distributeurs autorisés par EIZO (ci-après dénommés « **Distributeurs** »), sous réserve et conformément aux termes de cette garantie limitée (ci-après dénommée « **Garantie** »), garantissent à l'acheteur initial (ci-après dénommé « **Acheteur initial** ») du produit spécifié dans la présente (ci-après dénommé « **Produit** ») acheté auprès d'EIZO ou de Distributeurs agréés EIZO, que EIZO et ses Distributeurs auront pour option de réparer ou remplacer gratuitement le Produit si l'Acheteur initial constate, pendant la Période de garantie (définie ci-dessous), qu'il y a un dysfonctionnement ou que le Produit a subi un dommage dans le cadre d'une utilisation normale du Produit conformément à la description du mode d'emploi qui accompagne le Produit (ci-après dénommé « **Manuel d'utilisation** »).

La période de cette Garantie est limitée à (i) cinq (5) ans à partir de la date d'achat du Produit ; ou, limitée jusqu'à l'expiration de (ii) 30 000 heures d'utilisation du Produit (ci-après dénommée « **Période de Garantie** »). EIZO et ses Distributeurs déclinent toute responsabilité ou obligation concernant ce Produit face à l'Acheteur initial ou à toute autre personne à l'exception de celles stipulées dans la présente Garantie.

EIZO et ses Distributeurs cesseront de conserver ou de stocker des pièces (à l'exception des pièces de conception) du Produit à l'expiration d'une période de cinq (5) ans après l'arrêt de la production de ces pièces. Pour réparer le moniteur, EIZO et ses distributeurs utiliseront des pièces de rechange conformes à nos normes de contrôle qualité. Si l'unité ne peut pas être réparée en raison de son état ou de la rupture de stock d'une pièce adéquate, EIZO et ses Distributeurs peuvent proposer le remplacement par un produit aux performances équivalentes au lieu de le réparer.

La Garantie est valable uniquement dans les pays ou les territoires où se trouvent les Distributeurs. La Garantie ne limite aucun des droits reconnus par la loi à l'Acheteur initial.

Nonobstant toute autre clause de cette Garantie, EIZO et ses Distributeurs n'auront d'obligation dans le cadre de cette Garantie pour aucun des cas énumérés ci-dessous :

- (a) Tout défaut du Produit résultant de dommages occasionnés lors du transport, d'une modification, d'une altération, d'un abus, d'une mauvaise utilisation, d'un accident, d'une installation incorrecte, d'un désastre, d'un entretien et/ou d'une réparation incorrects effectués par une personne autre que EIZO ou ses Distributeurs ;
- (b) Toute incompatibilité du Produit résultant d'améliorations techniques et/ou réglementations possibles ;
- (c) Toute détérioration du capteur ;
- (d) Toute détérioration des performances d'affichage causée par la détérioration des éléments consommables tels que le panneau LCD et/ou le rétroéclairage, etc. (par exemple des changements de luminosité, des changements de l'uniformité de la luminosité, des modifications de couleur, des changements de l'uniformité des couleurs, des défauts de pixels y compris des pixels brûlés, etc.);
- (e) Tout défaut du Produit causé par un appareil externe ;
- (f) Tout défaut d'un Produit sur lequel le numéro de série original a été altéré ou supprimé ;
- (g) Tout défaut du Produit causé par un écoulement du liquide contenu dans les piles ;
- (h) Toute détérioration normale du Produit, particulièrement celle des consommables, des accessoires et/ou des pièces reliées au Produit (piles, touches, éléments pivotants, télécommande, câbles, Manuel d'utilisation etc.), et
- (i) Toute déformation, décoloration, et/ou gondolage de l'extérieur du Produit, y compris celle de la surface du panneau LCD.

Pour bénéficier d'un service dans le cadre de cette Garantie, l'Acheteur initial doit renvoyer le Produit port payé, dans son emballage d'origine ou tout autre emballage approprié offrant un degré de protection équivalent, au Distributeur local, et assumera la responsabilité des dommages et/ou perte possibles lors du transport. L'Acheteur initial doit présenter une preuve d'achat du Produit comprenant sa date d'achat pour bénéficier de ce service dans le cadre de la Garantie.

La Période de garantie pour tout Produit remplacé et/ou réparé dans le cadre de cette Garantie expirera à la fin de la Période de garantie initiale.

EIZO OU SES DISTRIBUTEURS NE SAURAIENT ÊTRE TENUS RESPONSABLES DES DOMMAGES OU PERTES DE DONNÉES OU D'AUTRES INFORMATIONS STOCKÉES DANS UN MÉDIA QUELCONQUE OU UNE AUTRE PARTIE DU PRODUIT RENVOYÉ À EIZO OU AUX DISTRIBUTEURS POUR RÉPARATION.

AUCUNE AUTRE GARANTIE, EXPLICITE OU TACITE, N'EST OFFERTE PAR EIZO ET SES DISTRIBUTEURS CONCERNANT LE PRODUIT ET SES QUALITÉS, PERFORMANCES, QUALITÉ MARCHANDE OU ADAPTATION À UN USAGE PARTICULIER. EN AUCUN CAS, EIZO OU SES DISTRIBUTEURS NE SERONT RESPONSABLES DES DOMMAGES FORTUITS, INDIRECTS, SPÉCIAUX, INDUITS, OU DE TOUT AUTRE DOMMAGE QUEL QU'IL SOIT (Y COMPRIS, SANS LIMITATION, LES DOMMAGES RÉSULTANT D'UNE PERTE DE PROFIT, D'UNE INTERRUPTION D'ACTIVITÉS, D'UNE PERTE DE DONNÉES COMMERCIALES, OU DE TOUT AUTRE MANQUE À GAGNER) RÉSULTANT DE L'UTILISATION OU DE L'INCAPACITÉ D'UTILISER LE PRODUIT OU AYANT UN RAPPORT QUELCONQUE AVEC LE PRODUIT, QUE CE SOIT SUR LA BASE D'UN CONTRAT, D'UN TORT, D'UNE NÉGLIGENCE, D'UNE RESPONSABILITÉ STRICTE OU AUTRE, MÊME SI EIZO OU SES DISTRIBUTEURS ONT ÉTÉ AVERTIS DE LA POSSIBILITÉ DE TELS DOMMAGES. CETTE LIMITATION INCLUT AUSSI TOUTE RESPONSABILITÉ QUI POURRAIT ÊTRE SOULEVÉE LORS DES RÉCLAMATIONS D'UN TIERS CONTRE L'ACHETEUR INITIAL. L'ESSENCE DE CETTE CLAUSE EST DE LIMITER LA RESPONSABILITÉ POTENTIELLE DE EIZO ET DE SES DISTRIBUTEURS RÉSULTANT DE CETTE GARANTIE LIMITÉE ET/OU DES VENTES.

GARANTÍA LIMITADA

EIZO Corporation (en lo sucesivo “EIZO”) y sus distribuidores autorizados (en lo sucesivo los “Distribuidores”), con arreglo y de conformidad con los términos de esta garantía limitada (en lo sucesivo la “Garantía”), garantizan al comprador original (en lo sucesivo el “Comprador original”) que compró el producto especificado en este documento (en lo sucesivo el “Producto”) a EIZO o a sus Distribuidores, que EIZO y sus Distribuidores, a su propio criterio, repararán o sustituirán el Producto de forma gratuita si el Comprador original detecta dentro del periodo de la Garantía (indicado posteriormente) que el Producto no funciona correctamente o que se ha averiado durante el uso normal del mismo de acuerdo con las indicaciones del manual de instrucciones suministrado con el Producto (en lo sucesivo el “Manual del usuario”).

El periodo de validez de esta Garantía está limitado a (i) cinco (5) años a partir de la fecha de compra del Producto o (ii) a 30.000 horas de uso del Producto (en adelante designado como el “Periodo de Garantía”). EIZO y sus Distribuidores no tendrán ninguna responsabilidad ni obligación con respecto al Producto para con el Comprador original ni con terceros que no sean las estipuladas en la presente Garantía.

EIZO y sus distribuidores dejarán de tener o almacenar cualquier pieza del producto (excepto piezas del diseño) una vez expirado el periodo de cinco (5) años después de que hayan dejado de fabricarse tales piezas. Para la reparación del monitor, EIZO y los distribuidores utilizarán repuestos que cumplan con nuestros estándares de control de calidad. Si no se puede reparar la unidad debido a su estado o si se han agotado las existencias de una pieza importante, EIZO y sus distribuidores podrán ofrecerle sustituirlo por un producto con rendimiento equivalente en lugar de repararlo.

La Garantía es válida sólo en los países y territorios donde están ubicados los Distribuidores. La Garantía no restringe ningún derecho legal del Comprador original.

A pesar de las estipulaciones de esta Garantía, EIZO y sus Distribuidores no tendrán obligación alguna bajo esta Garantía en ninguno de los casos expuestos a continuación:

- (a) Cualquier defecto del Producto causado por daños en el transporte, modificación, alteración, abuso, uso incorrecto, accidente, instalación incorrecta, desastre, mantenimiento incorrecto y/o reparación indebida realizada por un tercero que no sea EIZO o sus Distribuidores.
- (b) Cualquier incompatibilidad del Producto debida a posibles innovaciones técnicas y/o reglamentaciones.
- (c) Cualquier deterioro del sensor.
- (d) Cualquier deterioro en el rendimiento de la visualización causado por fallos en las piezas consumibles como el panel LCD y/o la "Backlight", etc. (p. ej. cambios de brillo, cambios de uniformidad del brillo, cambios de color, cambios de uniformidad del color, defectos de píxeles, incluyendo píxeles muertos, etc.).
- (e) Cualquier defecto del Producto causado por un equipo externo.
- (f) Cualquier defecto del Producto en el que haya sido alterado o borrado el número de serie original.
- (g) Cualquier defecto del Producto causado por fugas de líquido de las pilas.
- (h) Cualquier deterioro normal del Producto, y en particular de las piezas consumibles, accesorios y demás (p. ej. pilas, botones, piezas giratorias, mando a distancia, cables, Manual del usuario, etc.).
- (i) Cualquier deformación, decoloración y/o alabeo del exterior del Producto incluida la superficie del panel LCD.

Para obtener servicio en los términos de esta Garantía, el Producto deberá ser enviado por el Comprador original, a su Distribuidor local, con el transporte previamente pagado, en el embalaje original u otro embalaje adecuado que ofrezca el mismo grado de protección, asumiendo el riesgo de daños y/o pérdida del Producto durante el transporte. El Comprador original deberá presentar un comprobante de compra del Producto en el que se refleje la fecha de compra del mismo cuando lo solicite el servicio de Garantía.

El Periodo de garantía para cualquier Producto reemplazado y/o reparado en los términos de esta Garantía expirará al vencer el Periodo de garantía original.

EIZO O LOS DISTRIBUIDORES AUTORIZADOS DE EIZO NO SE RESPONSABILIZAN DE NINGÚN DAÑO O PÉRDIDA QUE PUEDAN SUFRIR LOS DATOS U OTRA INFORMACIÓN ALMACENADA EN CUALQUIER MEDIO O CUALQUIER PARTE DE CUALQUIER PRODUCTO DEVUELTO A EIZO O A LOS DISTRIBUIDORES DE EIZO PARA SU REPARACIÓN.

EIZO Y LOS DISTRIBUIDORES AUTORIZADOS DE EIZO NO OFRECEN NINGUNA OTRA GARANTÍA, IMPLÍCITA NI EXPLÍCITA, CON RESPECTO AL PRODUCTO Y A SU CALIDAD, RENDIMIENTO, COMERCIABILIDAD E IDONEIDAD PARA CUALQUIER USO EN PARTICULAR. EN NINGÚN CASO SERÁN EIZO O LOS DISTRIBUIDORES AUTORIZADOS DE EIZO RESPONSABLES DE NINGÚN DAÑO EMERGENTE, INDIRECTO, ESPECIAL, INHERENTE O CUALQUIERA QUE SEA (INCLUYENDO, SIN LIMITACIÓN, DAÑOS POR LUCRO CESANTE, INTERRUPCIÓN DE LA ACTIVIDAD COMERCIAL, PÉRDIDA DE INFORMACIÓN COMERCIAL O CUALQUIER OTRA PÉRDIDA PECUNIARIA) QUE SE DERIVE DEL USO O IMPOSIBILIDAD DE USO DEL PRODUCTO O EN RELACIÓN CON EL PRODUCTO, YA SEA BASADO EN CONTRATO, POR AGRAVIO, NEGLIGENCIA, ERICTA RESPONSABILIDAD O CUALQUIERA QUE SEA, AUN CUANDO SE HAYA ADVERTIDO A EIZO O A LOS DISTRIBUIDORES DE EIZO DE LA POSIBILIDAD DE TALES DAÑOS. ESTA EXCLUSIÓN TAMBIÉN ABARCA CUALQUIER RESPONSABILIDAD QUE PUEDA DERIVARSE DE RECLAMACIONES HECHAS POR UN TERCERO CONTRA EL COMPRADOR ORIGINAL. LA ESENCIA DE ESTA ESTIPULACIÓN ES LIMITAR LA RESPONSABILIDAD POTENCIAL DE EIZO Y LOS DISTRIBUIDORES QUE PUDIERA DERIVARSE DE ESTA GARANTÍA LIMITADA Y/O VENTAS.

GARANZIA LIMITATA

EIZO Corporation (a cui si farà riferimento da qui in poi con “**EIZO**”) ed i Distributori autorizzati da EIZO (a cui si farà riferimento da qui in poi con “**Distributori**”) garantiscono, secondo i termini di questa garanzia limitata (a cui si farà riferimento da qui in poi con “**Garanzia**”) all’acquirente originale (a cui si farà riferimento da qui in poi con “**Acquirente originale**”) che ha acquistato il prodotto specificato in questo documento (a cui si farà riferimento da qui in poi con “**Prodotto**”) da EIZO o dai suoi Distributori, che EIZO e i distributori, a loro discrezione, ripareranno o sostituiranno il Prodotto senza addebito se l’Acquirente originale trova, entro il periodo della Garanzia (definito sotto), che il Prodotto malfunziona e si è danneggiato nel corso del suo normale utilizzo osservando le indicazioni del manuale di istruzioni allegato al Prodotto (a cui si farà riferimento da qui in poi con “**Manuale utente**”).

La presente Garanzia è limitata a (i) cinque (5) anni a partire dalla data d’acquisto del Prodotto o (ii) allo scadere di 30.000 ore d’utilizzo del Prodotto (a cui si farà riferimento da qui in poi con “**Periodo di Garanzia**”). EIZO e i suoi Distributori non si assumono alcuna responsabilità e non hanno alcun obbligo riguardo al Prodotto verso l’Acquirente originale o terzi diversi da quelli relativi a questa Garanzia.

EIZO e i distributori cesseranno lo stoccaggio dei componenti (tranne le parti relative al progetto) del prodotto dopo cinque (5) anni dall’interruzione della produzione di tali componenti. Per la riparazione del monitor, EIZO e i Distributori utilizzeranno parti di ricambio conformi ai nostri standard di controllo della qualità. Se l’unità non può essere riparata a causa delle sue condizioni o dell’esaurimento scorte di un componente rilevante, EIZO e i distributori potrebbero offrire la sostituzione con un prodotto con prestazioni equivalenti piuttosto ripararlo.

La Garanzia è valida soltanto nei paesi dove ci sono i Distributori EIZO. La Garanzia non limita alcun diritto legale dell’Acquirente originale.

Indipendentemente da qualsiasi altra condizione di questa Garanzia, EIZO e i suoi Distributori non avranno alcun obbligo derivante da questa Garanzia in ognuno dei casi elencati di seguito:

- (a) Qualsiasi difetto del Prodotto causato da danni di trasporto, modifiche, alterazioni, abusi, usi impropri, incidenti, installazione errata, calamità, manutenzione errata e/o riparazioni improprie eseguite da terze parti che non siano EIZO o i suoi Distributori.
- (b) Qualsiasi incompatibilità del Prodotto dovuta a possibili innovazioni tecniche e/o normative.
- (c) Qualsiasi deterioramento del sensore.
- (d) Qualsiasi deterioramento delle prestazioni dello schermo causato dal deterioramento delle parti consumabili, come il pannello LCD e/o la retroilluminazione, ecc. (per esempio: i cambiamenti di luminosità, cambiamenti di uniformità della luminosità, i cambiamenti di colore, i cambiamenti di uniformità del colore, i difetti dei pixel, inclusi i pixel bruciati, ecc.).
- (e) Qualsiasi difetto del Prodotto causato da apparecchiature esterne.
- (f) Qualsiasi difetto del Prodotto in cui il numero di serie originale sia stato alterato o rimosso.
- (g) Qualsiasi difetto del Prodotto causato dalla fuoriuscita di liquido dalle pile.
- (h) Qualsiasi normale deterioramento del Prodotto, in particolar modo nelle sue parti di consumo, accessori, e/o attacchi (per esempio: pile, tasti, parti rotanti, telecomando, cavi, Manuale dell’utente, ecc.).
- (i) Qualsiasi tipo di deformazione, scolorimento, e/o di involucro esterno del Prodotto inclusa la superficie del pannello LCD.

Per ricevere assistenza tecnica con questa Garanzia, l’Acquirente originale deve inviare il Prodotto, con trasporto pre-pagato, nella sua confezione originale o altra confezione adeguata che fornisce un livello analogo di protezione, assumendosi il rischio di danni e/o perdita in transito, al Distributore locale. L’Acquirente originale deve presentare la prova di acquisto che stabilisce la data di acquisto del Prodotto quando richiede servizio sotto Garanzia.

Il Periodo di garanzia per qualsiasi Prodotto sostituito e/o riparato sotto questa Garanzia scade alla fine del Periodo di garanzia originale.

EIZO O I SUOI DISTRIBUTORI NON SONO RESPONSABILI PER QUALSIASI DANNO O PERDITA DI DATI O ALTRE INFORMAZIONI MEMORIZZATI SU QUALSIASI SUPPORTO O QUALSIASI PARTE DI QUALSIASI PRODOTTO INVIATO A EIZO O I SUOI DISTRIBUTORI PER RIPARAZIONI.

EIZO E I SUOI DISTRIBUTORI NON OFFRONO ALCUNA GARANZIA ADDIZIONALE, IMPLICITA O ESPLICITA, RIGUARDO IL PRODOTTO E LA SUA QUALITÀ, PRESTAZIONI, VENDIBILITÀ O APPROPRIATEZZA PER QUALSIASI USO PARTICOLARE. IN NESSUN CASO EIZO O I DISTRIBUTORI EIZO AUTORIZZATI SARANNO RESPONSABILI PER QUALSIASI DANNO ACCIDENTALE, INDIRECTO, SPECIALE, CONSEGUENTE O DI QUALSIASI ALTRA NATURA (INCLUSI, SENZA LIMITI, DANNI PER PERDITA DI PROFITTI, INTERRUZIONE DELLE ATTIVITÀ, PERDITA DI INFORMAZIONI D’AFFARI O QUALSIASI ALTRA PERDITA PECUNIARIA) DERIVANTI DALL’USO O DALL’IMPOSSIBILITÀ DI USARE IL PRODOTTO O IN QUALSIASI RELAZIONE AL PRODOTTO, SIA SU BASE DI CONTRATTO, TORTO, NEGLIGENZA, STRETTA RESPONSABILITÀ O ALTRIMENTI, ANCHE SE EIZO O I DISTRIBUTORI EIZO AUTORIZZATI SONO STATI AVVERTITI DELLA POSSIBILITÀ DI TALI DANNI. QUESTA ESCLUSIONE INCLUDE ANCHE QUALSIASI RESPONSABILITÀ CHE POSSA INSORGERE DA RECLAMI DI TERZI CONTRO L’ACQUIRENTE ORIGINALE. L’ESSENZA DI QUESTO PROVVEDIMENTO È LIMITARE LA RESPONSABILITÀ POTENZIALE DI EIZO E DEI DISTRIBUTORI DERIVANTE DA QUESTA GARANZIA LIMITATA E/O DALLE VENDITE.

BEGRÄNSAD GARANTI

EIZO Corporation (nedan kallat "**EIZO**") och EIZOs auktoriserade distributörer (nedan kallade "**Distributörer**") garanterar i enlighet med villkoren i denna begränsade garanti (nedan kallad "**Garantin**") den ursprunglige köparen (nedan kallad den "**Ursprunglige köparen**") som köpte den i dokumentet specificerade produkten (nedan kallad "**Produkten**") från EIZO eller Distributörer, att EIZO eller Distributörer enligt eget gottfinnande kostnadsfritt antingen reparera eller byta ut den defekta Produkten om den Ursprunglige köparen inom Garantiperioden (definieras nedan) upptäcker att Produkten fungerar felaktigt eller skadas under normal användning av Produkten i enlighet med beskrivningen i bruksanvisningen (nedan kallad "**Bruksanvisning**").

Giltighetsperioden för denna garanti är begränsad till (i) fem (5) år från datumet för Produktens inköp eller, om detta inträffar tidigare, begränsat till utlöpanget av (ii) 30 000 timmars användning av Produkten (häri kallad "**Garantiperioden**"). EIZO och Distributörer ska inte under några villkor ha något annat ansvar än vad som anges i denna garanti gällande Produkten i relation till den Ursprunglige köparen eller tredje part.

EIZO och dess leverantörer slutar lagerföra delar (utom designdelar) till produkten fem (5) år efter att delen i fråga slutar tillverkas. När skärmen repareras använder EIZO och distributörer reservdelar som uppfyller våra kvalitetsstandarder. Om enheten inte kan repareras på grund av skicket eller att en del inte finns i lager kan EIZO och dess leverantörer erbjuda sig att byta ut produkten mot en produkt med likvärdig prestanda istället för att reparera den.

Garantin är endast giltig i de länder där det finns Distributörer. Garantin begränsar inte några av den Ursprunglige köparens lagstadgade rättigheter.

Oavsett andra villkor i denna garanti ska inte EIZO Distributörer under några villkor ha något ansvar i något av de fall som beskrivs nedan:

- (a) När någon bristfällighet hos Produkten kan härledas till att ha uppstått vid frakt, modifiering, ändring, felaktigt handhavande, olycka, felaktig installation, katastrof, felaktigt underhåll och/eller felaktig reparation utförd av tredje part annan än EIZO och Distributörer.
- (b) Alla former av inkompatibilitet hos Produkten på grund av möjliga tekniska innovationer och/eller bestämmelser.
- (c) Alla försämringar av sensorn.
- (d) Alla försämringar av bildens prestanda beroende på förbrukningsdelar så som LCD-panel och/eller bakgrundsbelysning etc. (t.ex. ändringar i ljusstyrka, jämnhet i ljusstyrka, färg, färgjämnhet, defekta pixlar och/eller fast lysande pixlar etc.).
- (e) Alla defekter hos Produkten som orsakats av extern utrustning.
- (f) Alla defekter hos Produkten på vilken det ursprungliga serienumret har ändrats eller avlägsnats.
- (g) Alla produktfel som orsakas av vätska som läcker från batteriet.
- (h) All normal försämring av Produkten, speciellt förbrukningsartiklar, tillbehör och/eller yttre delar (t.ex. batterier, knappar, roterande delar, fjärrkontroll, kablar, Bruksanvisningen etc.).
- (i) Varje deformation, missfärgning och/eller skevhet av Produktens yttre inklusive ytan på LCD-panelen.

För att erhålla service under denna garanti måste den Ursprunglige köparen (med hänseende till risken för skada och/eller förlust under transport) leverera Produkten till närmaste Distributör med förebetalad frakt, i dess ursprungliga förpackning eller annan fullgod förpackning som ger likvärdigt skydd. Den Ursprunglige köparen måste kunna visa inköpsbevis för Produkten som klargör Produktens inköpsdatum vid begäran av garantiservice.

Garantiperioden för alla utbytta och/eller reparerade produkter under denna garanti skall upphöra vid utgången av den ursprungliga Garantiperioden.

EIZO ELLER DISTRIBUTÖRER ÄR INTE ANSVARIGA FÖR NÅGON FORM AV SKADA ELLER FÖRLUST AV DATA ELLER ANNAN INFORMATION SOM HAR LAGRATS I NÅGON FORM AV MEDIA ELLER ANNAN DEL AV NÅGON PRODUKT SOM HAR RETURNERATS TILL EIZO ELLER DISTRIBUTÖRER FÖR REPARATION.

EIZO OCH DISTRIBUTÖRERNA GARANTERAR INGET, UTTRYCKLIGEN ELLER UNDERFÖRSTÅTT, VAD BETRÄFFAR PRODUKTEN OCH DESS KVALITET, PRESTANDA, SÄLJBARHET ELLER LÄMPLIGHET FÖR NÅGON FORM AV SPECIELL ANVÄNDNING. UNDER INGA OMSTÄNDIGHETER SKALL EIZO ELLER DISTRIBUTÖRERNA HÅLLAS ANSVARIGA FÖR NÅGRA SOM HELST UNDERORDNADE, INDIREKTA, SPECIELLA, DÄRAV FÖLJANDE ELLER ÖVRIGA SKADOR (INKLUSIVE, UTAN BEGRÄNSNING TILL, SKADOR FÖR FÖRLUST AV INKOMST, AVBRUTEN AFFÄRSRÖRELSE, FÖRLUST AV AFFÄRSINFORMATION ELLER ANNAN SÄRSKILD FÖRLUST) SOM UPPSTÅTT SOM ETT RESULTAT AV ANVÄNDNING ELLER OFÖRMÅGA ATT ANVÄNDA PRODUKTEN ELLER I NÅGON FORM AV ANSLUTNING TILL PRODUKTERNA, VARE SIG DETTA GRUNDAS PÅ KONTRAKT, ÅTALBAR HANDLING, FÖRSUMLIGHET, ANSVARSSKYLDIGHET ELLER ANNAT, ÄVEN OM EIZO ELLER DISTRIBUTÖRERNA HAR INFORMERATS BETRÄFFANDE MÖJLIGHET ATT SÅDANA SKADOR FÖRELIGGER. DETTA UNDANTAG OMFATTAR ÄVEN ALL FORM AV ANSVARSSKYLDIGHET SOM KAN UPPSTÅ GENOM EN TREDJE PARTS ANSPRÅK GENTEMOT DEN URSPRUNGLIGE KÖPAREN. GRUNDBESTÄNDSDELEN I BESTÄMMELEN ÄR ATT BEGRÄNSA DET EVENTUELLA ANSVARSTAGANDET FÖR EIZO OCH DISTRIBUTÖRERNA SOM KAN UPPSTÅ GENOM DENNA BEGRÄNSADE GARANTI OCH/ELLER FÖRSÄLJNING.

ΠΕΡΙΟΡΙΣΜΕΝΗ ΕΓΓΥΗΣΗ

Η EIZO Corporation (στο εξής «**EIZO**») και οι διανομείς που εξουσιοδοτεί η EIZO (στο εξής «**Διανομείς**») παρέχουν εγγύηση, υποκείμενη και σύμφωνα με τους όρους της παρούσας περιορισμένης εγγύησης (στο εξής «**Εγγύηση**»), στον αρχικό αγοραστή (στο εξής «**Αρχικός Αγοραστής**») ο οποίος αγόρασε το προϊόν που καθορίζεται στο παρόν έγγραφο (στο εξής «**Προϊόν**») από την EIZO ή τους Διανομείς, η οποία εξασφαλίζει ότι η EIZO και οι Διανομείς, σύμφωνα με τη διακριτή ευχέρειά τους, είτε θα επισκευάσουν είτε θα αντικαταστήσουν το Προϊόν χωρίς χρέωση εάν ο Αρχικός Αγοραστής αντιληφθεί εντός της Περιόδου Εγγύησης (ορίζεται κατωτέρω) ότι το Προϊόν δυσλειτουργεί ή έχει υποστεί βλάβη κατά τη διάρκεια κανονικής χρήσης του Προϊόντος σύμφωνα με την περιγραφή στο εγχειρίδιο χρήσης που συνοδεύει το Προϊόν (στο εξής «**Εγχειρίδιο Χρήστη**»).

Η περίοδος της παρούσας Εγγύησης είναι (i) πέντε (5) έτη από την ημερομηνία αγοράς του Προϊόντος, ή, στη λήξη των (ii) 30.000 ωρών χρήσης του Προϊόντος (στο εξής «**Περίοδος Εγγύησης**»). Η EIZO και οι Διανομείς δεν φέρουν καμία ευθύνη ή υποχρέωση όσον αφορά το Προϊόν σε σχέση με τον Αρχικό Αγοραστή ή οποιοδήποτε τρίτο μέρος, ούτε άλλη ευθύνη διαφορετική από αυτήν που παρέχεται στην παρούσα Εγγύηση.

Η EIZO και οι διανομείς της θα πάψουν να διατηρούν αποθέματα εξαρτημάτων (εκτός από τα εξαρτήματα σχεδιασμού) του προϊόντος μόλις περάσουν πέντε (5) χρόνια αφότου διακοπεί η παραγωγή των εν λόγω εξαρτημάτων. Κατά την επισκευή της οθόνης, η EIZO και οι Διανομείς θα χρησιμοποιήσουν ανταλλακτικά επισκευής που συμμορφώνονται με τα πρότυπά μας για τη Διασφάλιση Ποιότητας. Αν δεν είναι εφικτή η επισκευή της μονάδας λόγω της κατάστασής της ή λόγω έλλειψης αποθεμάτων κάποιου σχετικού εξαρτήματος, η EIZO και οι διανομείς της ενδέχεται να σας προσφέρουν τη δυνατότητα αντικατάστασής της με προϊόν ισοδύναμων επιδόσεων αντί να την επισκευάσουν.

Η Εγγύηση ισχύει μόνο σε χώρες ή περιοχές όπου βρίσκονται οι Διανομείς. Η Εγγύηση δεν περιορίζει οποιαδήποτε νόμιμα δικαιώματα του Αρχικού Αγοραστή.

Λαμβανομένης υπόψη κάθε διάταξης της παρούσας Εγγύησης, η EIZO και οι Διανομείς δεν θα έχουν καμία απολύτως υποχρέωση σύμφωνα με την παρούσα Εγγύηση σε οποιαδήποτε από τις περιπτώσεις που διατυπώνονται κατωτέρω:

- (α) Τυχόν ελάττωμα του Προϊόντος που προκαλείται από ζημία κατά τη μεταφορά, τροποποίηση, αλλαγή, κατάχρηση, λανθασμένη χρήση, ατύχημα, λανθασμένη εγκατάσταση, καταστροφή, εσφαλμένη συντήρηση ή/και λανθασμένη επισκευή από τρίτο μέρος εκτός της EIZO και των Διανομέων,
- (β) Τυχόν ασυμβατότητα του Προϊόντος λόγω πιθανών τεχνικών καινοτομιών ή/και κανονισμών,
- (γ) Τυχόν επιδείνωση του αισθητήρα,
- (δ) Τυχόν επιδείνωση της απόδοσης οθόνης που προκαλείται από τη φθορά αναλώσιμων εξαρτημάτων όπως της οθόνης LCD ή/και του φωτός υποβάθρου, κτλ. (π.χ. αλλαγές στη φωτεινότητα, αλλαγές στην ομοιομορφία φωτεινότητας, αλλαγές στο χρώμα, αλλαγές στην ομοιομορφία χρώματος, ελαττώματα σε pixel περιλαμβανομένων των καμένων pixel, κτλ.),
- (ε) Τυχόν ελάττωμα του Προϊόντος που προκαλείται από εξωτερικό εξοπλισμό,
- (στ) Τυχόν ελάττωμα του Προϊόντος στο οποίο έχει τροποποιηθεί ή αφαιρεθεί ο γνήσιος αριθμός σειράς,
- (ζ) Τυχόν ελάττωμα του Προϊόντος που προκαλείται από διαρροή υγρού από την μπαταρία,
- (η) Τυχόν φυσιολογική φθορά του προϊόντος, ιδιαίτερα αυτής των αναλώσιμων, των αξεσουάρ ή/και των προσαρτημάτων (π.χ. μπαταρίες, κουμπιά, περιστρεφόμενα μέρη, τηλεχειριστήριο, καλώδια, Εγχειρίδιο Χρήστη, κτλ.), και
- (θ) Τυχόν παραμόρφωση, αποχρωματισμό ή/και διαστρέβλωση του εξωτερικού μέρους του προϊόντος, περιλαμβανομένης της επιφάνειας της οθόνης LCD.

Ο Αρχικός Αγοραστής για να δικαιούται υπηρεσίες επισκευής σύμφωνα με την Εγγύηση, θα πρέπει να παραδώσει το Προϊόν, με πληρωμένα τα μεταφορικά έξοδα, στην αρχική του συσκευασία ή σε άλλη επαρκή συσκευασία με ισότιμο βαθμό προστασίας, αναλαμβάνοντας τον κίνδυνο βλάβης ή/και απώλειας κατά τη μεταφορά, στον τοπικό Διανομέα. Ο Αρχικός Αγοραστής όταν ζητά υπηρεσίες επισκευής σύμφωνα με την Εγγύηση, θα πρέπει να προσκομίζει την απόδειξη αγοράς του Προϊόντος και την ημερομηνία της αγοράς.

Η Περίοδος Εγγύησης για οποιοδήποτε αντικατεστημένο ή/και επισκευασμένο προϊόν σύμφωνα με την παρούσα Εγγύηση λήγει στο τέλος της αρχικής Περιόδου Εγγύησης.

Η EIZO Ή ΟΙ ΔΙΑΝΟΜΕΙΣ ΔΕΝ ΕΥΘΥΝΟΝΤΑΙ ΓΙΑ ΟΠΟΙΟΔΗΠΟΤΕ ΒΛΑΒΗ Ή ΑΠΩΛΕΙΑ ΔΕΔΟΜΕΝΩΝ Ή ΑΛΛΩΝ ΠΛΗΡΟΦΟΡΙΩΝ ΠΟΥ ΑΠΟΘΗΚΕΥΟΝΤΑΙ ΣΕ ΟΠΟΙΟΔΗΠΟΤΕ ΜΕΣΟ Ή ΟΠΟΙΟΔΗΠΟΤΕ ΑΛΛΟ ΜΕΡΟΣ ΣΕ ΟΠΟΙΟΔΗΠΟΤΕ ΠΡΟΪΟΝ ΠΟΥ ΕΠΙΣΤΡΕΦΕΤΑΙ ΣΤΗΝ EIZO Ή ΣΕ ΔΙΑΝΟΜΕΑ ΓΙΑ ΕΠΙΣΚΕΥΗ.

Η EIZO ΚΑΙ ΟΙ ΔΙΑΝΟΜΕΙΣ ΔΕΝ ΠΑΡΕΧΟΥΝ ΚΑΜΙΑ ΠΕΡΑΙΤΕΡΩ ΕΓΓΥΗΣΗ, ΡΗΤΗ Ή ΣΥΝΕΠΑΓΟΜΕΝΗ, ΟΣΟΝ ΑΦΟΡΑ ΤΟ ΠΡΟΪΟΝ ΚΑΙ ΤΗΝ ΠΟΙΟΤΗΤΑ, ΤΗΝ ΑΠΟΔΟΣΗ, ΤΗΝ ΕΜΠΟΡΕΥΣΙΜΟΤΗΤΑ Ή ΤΗΝ ΚΑΤΑΛΛΗΛΟΤΗΤΑ ΤΟΥ ΓΙΑ ΟΠΟΙΟΔΗΠΟΤΕ ΣΥΓΚΕΚΡΙΜΕΝΗ ΧΡΗΣΗ. ΣΕ ΚΑΜΙΑ ΠΕΡΙΠΤΩΣΗ Η EIZO Ή ΟΙ ΔΙΑΝΟΜΕΙΣ ΔΕΝ ΘΑ ΕΥΘΥΝΟΝΤΑΙ ΓΙΑ ΚΑΜΙΑ ΑΠΟΛΥΤΩΣ ΤΥΧΑΙΑ, ΕΜΜΕΣΗ, ΕΙΔΙΚΗ, ΣΥΝΕΠΑΓΟΜΕΝΗ Ή ΑΛΛΗ ΒΛΑΒΗ (ΠΕΡΙΛΑΜΒΑΝΟΜΕΝΩΝ, ΜΕΤΑΞΥ ΑΛΛΩΝ, ΒΛΑΒΩΝ Ή ΑΠΩΛΕΙΑΣ ΚΕΡΔΩΝ, ΔΙΑΚΟΠΗΣ ΕΠΙΧΕΙΡΗΜΑΤΙΚΩΝ ΠΡΑΣΤΗΡΙΟΤΗΤΩΝ, ΑΠΩΛΕΙΑΣ ΕΠΙΧΕΙΡΗΜΑΤΙΚΩΝ ΠΛΗΡΟΦΟΡΙΩΝ Ή ΤΥΧΟΝ ΑΛΛΗΣ ΧΡΗΜΑΤΙΚΗΣ ΑΠΩΛΕΙΑΣ) ΠΟΥ ΠΡΟΚΥΠΤΕΙ ΑΠΟ ΤΗ ΧΡΗΣΗ Ή ΤΗΝ ΑΝΙΚΑΝΟΤΗΤΑ ΧΡΗΣΗΣ ΤΟΥ ΠΡΟΪΟΝΤΟΣ Ή ΤΥΧΟΝ ΑΛΛΗΣ ΣΥΝΔΕΣΗΣ ΜΕ ΤΟ ΠΡΟΪΟΝ, ΕΙΤΕ ΒΑΣΙΖΕΤΑΙ ΣΕ ΣΥΜΒΟΛΑΙΟ, ΒΛΑΒΗ, ΑΜΕΛΕΙΑ, ΑΥΣΤΗΡΗ ΕΥΘΥΝΗ Ή ΕΙΔΑΛΛΩΣ, ΑΚΟΜΗ ΚΙ ΕΑΝ Η EIZO Ή ΟΙ ΔΙΑΝΟΜΕΙΣ ΕΝΗΜΕΡΩΘΟΥΝ ΓΙΑ ΤΗΝ ΠΙΘΑΝΟΤΗΤΑ ΤΕΤΟΙΩΝ ΖΗΜΙΩΝ. Η ΕΞΑΙΡΕΣΗ ΑΥΤΗ ΠΕΡΙΛΑΜΒΑΝΕΙ ΕΠΙΣΗΣ ΟΠΟΙΟΔΗΠΟΤΕ ΕΥΘΥΝΗ ΕΝΔΕΧΕΤΑΙ ΝΑ ΠΡΟΚΥΨΕΙ ΑΠΟ ΑΞΙΩΣΕΙΣ ΤΡΙΤΟΥ ΜΕΡΟΥΣ ΚΑΤΑ ΤΟΥ ΑΡΧΙΚΟΥ ΑΓΟΡΑΣΤΗ. Η ΟΥΣΙΑ ΤΟΥ ΟΡΟΥ ΑΥΤΟΥ ΕΙΝΑΙ ΝΑ ΠΕΡΙΟΡΙΣΕΙ ΤΗΝ ΠΙΘΑΝΗ ΕΥΘΥΝΗ ΤΗΣ EIZO ΚΑΙ ΤΩΝ ΔΙΑΝΟΜΕΩΝ ΠΟΥ ΠΡΟΚΥΠΤΕΙ ΑΠΟ ΤΗΝ ΠΑΡΟΥΣΑ ΕΓΓΥΗΣΗ Ή/ΚΑΙ ΤΙΣ ΠΩΛΗΣΕΙΣ.

ОГРАНИЧЕННАЯ ГАРАНТИЯ

EIZO Corporation (называемая в дальнейшем “EIZO”) и авторизованные EIZO дистрибуторы (называемые в дальнейшем “Дистрибуторы”) гарантируют, в соответствии с условиями и пунктами этой ограниченной гарантии (называемой в дальнейшем “Гарантия”), первичному покупателю (называемому в дальнейшем “Первоначальный покупатель”), который приобрел у EIZO или Дистрибуторов продукт, указанный в этом документе (называемый в дальнейшем “Продукт”), что EIZO или Дистрибуторы на свое усмотрение либо бесплатно отремонтируют, либо бесплатно заменят Продукт, если Первоначальный покупатель признает в пределах Гарантийного срока (определенного ниже), что Продукт неисправен или он поврежден процессе нормального использования продукта в соответствии с описанием в инструкции по эксплуатации, прилагаемой к Продукту (называемой в дальнейшем “Руководство пользователя”).

Гарантийный период ограничен сроком (i) пять (5) лет от даты приобретения Продукта или ограничен сроком (ii) 30 000 часов использования Продукта (называемый в дальнейшем “Гарантийный период”). EIZO и Дистрибуторы не несут никакой ответственности и не берут обязательств относительно Продукта по отношению к Первоначальному покупателю или по отношению к любым третьим сторонам, кроме обязательств, оговоренных в этой Гарантии.

Компания EIZO и ее дистрибуторы хранят детали изделия (за исключением деталей внешней конструкции) не более 5 (пять) лет после прекращения его выпуска. В случае ремонта монитора EIZO и Дистрибуторы будут использовать запчасти, которые соответствуют нашим стандартам QC (контроль качества). Если устройство невозможно отремонтировать из-за его состояния или отсутствия нужной детали, то вместо ремонта компания EIZO и ее дистрибуторы могут предлагать замену неисправного устройства на устройство с аналогичными характеристиками.

Гарантия действительна только в странах или регионах, где расположены Дистрибуторы. Гарантия не ограничивает никакие законные права Первоначального покупателя.

Несмотря на другие условия этой Гарантии EIZO и Дистрибуторы не несут никаких обязательств согласно этой Гарантии в любом из перечисленных ниже случаев:

- (а) Любые дефекты Продукта, вызванные повреждениями при перевозке, модификацией, изменением, неправильным обращением, неправильным использованием, авариями, неправильной установкой, стихийными бедствиями, неправильным уходом и/или неправильным ремонтом третьей стороной, отличной от EIZO или Дистрибуторов;
- (б) Любые несовместимости Продукта из-за технических усовершенствований и/или изменения технических норм;
- (в) Любое повреждение датчика;
- (г) Любые ухудшения работы дисплея, вызванные изнашиванием невосстановимых частей, таких как панель ЖКД и/или подсветка и т.д. (например, изменение в яркости, изменение в равномерности яркости, изменение в цветности, изменение в равномерности цветности, изменение в пикселях, включая выгоревшие пиксели и т.д.);
- (д) Любые дефекты Продукта, вызванные внешним оборудованием;
- (е) Любые дефекты Продукта, при которых оригинальный серийный номер был изменен или удален;
- (ж) Любые дефекты Продукта, вызванные протеканием батареек;
- (з) Любые естественные ухудшения продукта, в частности, вызванные износом расходных частей, принадлежностей и/или приспособлений (например, батареек, кнопок, вращающихся частей, пульта дистанционного управления, кабелей, Руководства пользователя и т.д.); и
- (и) Любые деформации, изменения цвета и/или коробления внешней поверхности продукта, включая поверхность панели ЖКД.

Чтобы получить техническое обслуживание в рамках Гарантии, Первоначальный покупатель должен доставить Продукт местному Дистрибутору, оплатив перевозку, в его оригинальной упаковке или в другой соответствующей упаковке, обеспечивающей равноценную степень защиты, принимая во внимание риск повреждения и/или утерю при транспортировке. При запросе технического обслуживания в рамках Гарантии Первоначальный покупатель должен предоставить свидетельство покупки продукта и даты покупки.

Гарантийный период для любого замененного и/или отремонтированного продукта в рамках Гарантии истекает в конце завершения срока действия оригинального Гарантийного периода.

EIZO или ДИСТРИБУТОРЫ НЕ НЕСУТ ОТВЕТСТВЕННОСТИ ЗА ЛЮБЫЕ ПОВРЕЖДЕНИЯ ИЛИ УТЕРЮ ДАННЫХ ИЛИ ДРУГОЙ ИНФОРМАЦИИ, ХРАНЯЩИХСЯ НА КАКИХ-ЛИБО НОСИТЕЛЯХ ИНФОРМАЦИИ ИЛИ НА ЛЮБЫХ ДРУГИХ ЧАСТЯХ ПРОДУКТА, КОТОРЫЙ ВОЗВРАЩЕН EIZO или ДИСТРИБУТОРАМ ДЛЯ РЕМОНТА.

EIZO и ДИСТРИБУТОРЫ НЕ ДАЮТ НИКАКОЙ ДАЛЬНЕЙШЕЙ ГАРАНТИИ, ВЫРАЖЕННОЙ ИЛИ ПОДРАЗУМЕВАЕМОЙ, ОТНОСИТЕЛЬНО ПРОДУКТА И ЕГО КАЧЕСТВА, ТЕХНИЧЕСКИХ ХАРАКТЕРИСТИК, ТОВАРНОСТИ ИЛИ СООТВЕТСТВИЯ ДЛЯ КАКОГО-ЛИБО ОПРЕДЕЛЕННОГО ИСПОЛЬЗОВАНИЯ. НИ ПРИ КАКИХ УСЛОВИЯХ EIZO или ДИСТРИБУТОРЫ НЕ НЕСУТ ОТВЕТСТВЕННОСТИ ЗА ЛЮБОЙ СЛУЧАЙНЫЙ, КОСВЕННЫЙ, СПЕЦИАЛЬНЫЙ, ПОБОЧНЫЙ ИЛИ ИНОЙ УЩЕРБ (ВКЛЮЧАЯ, БЕЗ ОГРАНИЧЕНИЙ, УЩЕРБ ИЗ-ЗА НЕПОЛУЧЕННОЙ ПРИБЫЛИ, ПРЕРЫВАНИЯ БИЗНЕСА, ПОТЕРИ КОММЕРЧЕСКОЙ ИНФОРМАЦИИ ИЛИ ЛЮБЫЕ ДРУГИЕ ФИНАНСОВЫЕ ПОТЕРИ), ВОЗНИКШИЙ ИЗ-ЗА ИСПОЛЬЗОВАНИЯ ИЛИ НЕВОЗМОЖНОСТИ ИСПОЛЬЗОВАТЬ ПРОДУКТ ИЛИ В ЛЮБОЙ ДРУГОЙ СВЯЗИ С ПРОДУКТОМ, ЛИБО ОСНОВАННЫЙ НА КОНТРАКТНЫХ ОТНОШЕНИЯХ, ГРАЖДАНСКИХ ПРАВОНАРУШЕНИЯХ, НЕБРЕЖНОСТИ, ПРИЧИНЕНИЯ УЩЕРБА ТРЕТЬЕЙ СТОРОНЕ ИЛИ ЧЕМ-ЛИБО ЕЩЕ, ДАЖЕ ЕСЛИ EIZO или ДИСТРИБУТОРЫ БЫЛИ УВЕДОМЛЕНЫ О ВОЗМОЖНОСТИ ТАКОГО УЩЕРБА. ЭТО ИСКЛЮЧЕНИЕ ТАКЖЕ ВКЛЮЧАЕТ ЛЮБЫЕ ОБЯЗАТЕЛЬСТВА, КОТОРЫЕ МОГУТ ВОЗНИКНУТЬ В РЕЗУЛЬТАТЕ ТРЕБОВАНИЙ ТРЕТЬЕЙ СТОРОНЫ В ОТНОШЕНИИ ПЕРВОНАЧАЛЬНОГО ПОКУПАТЕЛЯ. СУЩЕСТВОМ ЭТОГО ПОЛОЖЕНИЯ ЯВЛЯЕТСЯ ОГРАНИЧЕНИЕ ПОТЕНЦИАЛЬНОЙ ОТВЕТСТВЕННОСТИ EIZO и ДИСТРИБУТОРОВ, ВОЗНИКАЮЩЕЙ ИЗ-ЗА ЭТОЙ ОГРАНИЧЕННОЙ ГАРАНТИИ И/ИЛИ ПРОДАЖ.

有限责任保证书

EIZO Corporation (以下简称“EIZO”)和 EIZO 授权的经销商 (以下简称“经销商”), 接受并依照本有限责任保证书 (以下简称“保证书”)之条款, 向从 EIZO 和经销商购买本文中所规定产品 (以下简称“产品”)的原买方 (以下称“原买方”)提供保证:在保证期内 (规定如下), 如果原买方发现按本产品所附使用说明书 (以下简称“用户手册”)所述方式正常使用本产品过程中, 本产品出现故障或损坏, EIZO 和经销商根据其独立的判断免费修理或更换该产品。

本保证期限定为(i)自本产品购买之日起的五(5)年期间或限定为到达(ii)使用本产品 3 万小时的期限(以下简称“保证期限”)。EIZO 和经销商将不向原买方或任何第三方承担本保证书所规定之外的与本产品有关任何责任或义务。

零件停产五(5)年后, EIZO 及其经销商不再保留或保存产品的任何零件 (设计零件除外)。维修显示器时, EIZO 与经销商将使用符合我方质量控制标准的替换零件。若由于自身条件或缺少相关零件而不能修理设备, EIZO 和经销商可提供性能相同的更换产品, 而无需维修。

本保证书仅对于设有经销商的国家或地区有效。本保证书并不限定原买方的任何法律权利。

无论本保证书的任何其他条款如何规定, 对于任何下列情况之一, EIZO 和经销商将不承担本保证书规定责任:

- (a) 由于运输损害、改装、改动、滥用、误用、意外事故、错误安装、灾害、维护不善和 / 或由除 EIZO 和经销商以外的第三方进行不适当的修理造成本产品的任何故障。
- (b) 由于可能发生的技术变更和 / 或调整造成本产品的任何不兼容性。
- (c) 传感器的任何劣化。
- (d) 由于诸如液晶显示屏 (LCD) 和 / 或背灯等消耗品部件的老化造成的任何显示性能低劣 (如亮度变化、亮度均一性变化、色彩变化、色彩均一性变化、如烧伤像素等像素缺陷)。
- (e) 因外部设备造成本产品的任何故障。
- (f) 因本产品的原序号被改变或消除造成本产品的任何故障。
- (g) 因电池液体泄漏造成本产品的任何故障。
- (h) 本产品的任何正常老化, 尤其是消耗品、附件和 / 或附加装置 (如电池、按钮、旋转部件、遥控器、电缆、用户手册等)、以及
- (i) 本产品表面包括液晶显示屏 (LCD) 表面的任何变形、变色和 / 翘曲。

为了获得本保证书规定的服务, 原买方必须使用原包装或其他具有同等保护程度的适当包装将本产品运送到当地的经销商, 并且预付运费, 承担运输中的损坏和 / 或损失的风险。要求提供本保证书规定的服务时, 原买方必须提交购买本产品和标明此购买日期的证明。

按本保证书规定进行了更换和 / 或修理的任何产品的保证期限, 将在原保证期限结束时终止。

在返回给 EIZO 和经销商进行修理后, 任何产品的任何媒体或任何部件中储存的数据或其他信息发生任何损坏或损失, 对此 EIZO 和经销商将不承担责任。

对于本产品及其质量、性能、可销售性以及对于特殊用途的适合性, EIZO 和经销商不提供其他任何明示或暗示的保证。因使用本产品或无法使用本产品或因与本产品有任何关系 (无论是否根据合同) 而造成:任何附带的、间接的、特殊的、随之发生的或其他的损害 (包括但不限于: 利润损失、业务中断、业务信息丢失或其他任何金钱损失) 以及侵权行为、过失、严格赔偿责任或其他责任, 即使已经向 EIZO 和经销商提出了发生这些损害的可能性, 对此 EIZO 和经销商概不承担责任。本免责条款还包括因第三方向原买方提出索赔而可能发生的任何责任。本条款的本质是限定由于本有限责任保证书和 / 或销售本产品所发生的 EIZO 和经销商的潜在责任。

Recycling Information

Recycling Information

This product, when disposed of, is supposed to be collected and recycled according to your country's legislation to reduce environmental burden. When you dispose of this product, please contact a distributor or an affiliate in your country.

The contact addressees are listed on the EIZO website below.

<http://www.eizoglobal.com>

For recycling information for customers in Switzerland, please refer to the following website.

<http://www.swico.ch>

Informationen zum Thema Recycling

Dieses Produkt muss gemäß den Vorschriften Ihres Landes zur Entlastung der Umwelt recyclet werden. Wenden Sie sich bei der Entsorgung dieses Produkts an einen Verteiler oder eine Tochtergesellschaft in Ihrem Land.

Die Adressen zur Kontaktaufnahme sind auf der unten angegebenen Website von EIZO aufgeführt.

<http://www.eizoglobal.com>

Kunden in der Schweiz entnehmen Informationen zum Recycling der folgenden Website:

<http://www.swico.ch>

Informations sur le recyclage

Ce produit doit être jeté aux points de collecte prévus à cet effet et recyclé conformément à la législation de votre pays, afin de réduire l'impact sur l'environnement. Lorsque vous jetez ce produit, veuillez contacter un distributeur ou une société affiliée de votre pays.

Les adresses des distributeurs sont répertoriées sur le site Web EIZO ci-dessous.

<http://www.eizoglobal.com>

Pour les clients en Suisse, veuillez consulter le site Web suivant afin d'obtenir des informations sur le recyclage.

<http://www.swico.ch>

Información sobre reciclaje

Este producto debe desecharse y reciclarse según la legislación del país para reducir el impacto medioambiental. Cuando desee deshacerse de este producto, póngase en contacto con un distribuidor o una filial de su país.

Encontrará las direcciones de contacto en el sitio web de EIZO que se indica a continuación.

<http://www.eizoglobal.com>

Informazioni sul riciclaggio

Per lo smaltimento e il riciclaggio del presente prodotto, attenersi alle normative vigenti nel proprio paese per ridurre l'impatto ambientale. Per lo smaltimento, rivolgersi ad un distributore o un affiliato presenti nel proprio paese.

Gli indirizzi sono elencati nel sito Web EIZO riportato di seguito.

<http://www.eizoglobal.com>

Per informazioni sul riciclaggio per i clienti in Svizzera, consultare il sito Web riportato di seguito.

<http://www.swico.ch>

Återvinningsinformation

När denna produkt kasseras ska den hanteras och återvinnas enligt landets föreskrifter för att reducera miljöpåverkan. När du kasserar produkten ska du kontakta en distributör eller representant i ditt land.

Kontaktadresserna listas på EIZO-webbplatsen nedan.

<http://www.eizoglobal.com>

Πληροφορίες ανακύκλωσης

Το προϊόν αυτό, όταν απορρίπτεται, πρέπει να συλλέγεται και να ανακυκλώνεται σύμφωνα με τη νομοθεσία της χώρας σας έτσι ώστε να μην επιβαρύνει το περιβάλλον. Για να απορρίψετε το προϊόν, επικοινωνήστε με έναν αντιπρόσωπο ή μια θυγατρική εταιρεία στη χώρα σας.

Οι διευθύνσεις επικοινωνίας αναγράφονται στην τοποθεσία web της EIZO παρακάτω.
<http://www.eizoglobal.com>

Сведения по утилизации

По истечении срока службы данного продукта его следует принести на сборный пункт и утилизировать в соответствии с действующими предписаниями в вашей стране, чтобы уменьшить вредное воздействие на окружающую среду. Прежде чем выбросить данный продукт, обратитесь к дистрибьютору или в местное представительство компании в вашей стране.

Контактные адреса можно найти на веб-узле EIZO.

<http://www.eizoglobal.com>

Informatie over recycling

Wanneer u dit product wilt weggooien, moet het uit milieu-overwegingen worden verzameld en gerecycled volgens de betreffende wetgeving van uw land. Wanneer u dit product wilt weggooien, moet u contact opnemen met een distributeur of een partner in uw land.

De contactadressen worden vermeld op de volgende EIZO-website.

<http://www.eizoglobal.com>

Informação sobre reciclagem

Este produto, quando o deitar fora, deve ser recolhido e reciclado de acordo com a legislação do seu país para reduzir a poluição. Quando deitar fora este produto, contacte um distribuidor ou uma filial no seu país.

Os endereços de contacto estão listados no website do EIZO, abaixo.

<http://www.eizoglobal.com>

Oplysninger om genbrug

Dette produkt forventes ved bortskaffelse at blive indsamlet og genbrugt i overensstemmelse med lovgivningen i dit land for at reducere belastningen af miljøet. Når du bortskaffer denne produkt, skal du kontakte en distributør eller et tilknyttet selskab i dit land.

Adresserne på kontaktpersonerne er angivet på EIZO's websted nedenfor.

<http://www.eizoglobal.com>

Kierrätystä koskevia tietoja

Tuote tulee hävittää kierrättämällä maan lainsäädännön mukaisesti ympäristön kuormittumisen vähentämiseksi. Kun hävität tuotteen, ota yhteyttä jälleenmyyjään tai tytäryhtiöön maassasi.

Yhteystiedot löytyvät EIZOn Internet-sivustolta.

<http://www.eizoglobal.com>

Wykorzystanie surowców wtórnych

Ten produkt po zużyciu powinien być zbierany i przetwarzany zgodnie z krajowymi przepisami dotyczącymi ochrony środowiska. Wyrzucając ten produkt, należy skontaktować się z lokalnym dystrybutorem lub partnerem. Adresy kontaktowe można znaleźć we wskazanej poniżej witrynie internetowej firmy EIZO.

<http://www.eizoglobal.com>

Informace o recyklaci

Při likvidaci produktu musí být produkt vyzvednut a recyklován podle zákonů příslušné země, aby nedocházelo k zatěžování životního prostředí. Zbavujete-li se produktu, kontaktujte distributora nebo pobočku ve své zemi. Kontaktní adresy jsou uvedeny na následující webové stránce společnosti EIZO.
<http://www.eizoglobal.com>

Ringlussevõtu alane teave

Keskkonnakoormuse vähendamiseks tuleks kasutatud tooted kokku koguda ja võtta ringlusse vastavalt teie riigi seadustele. Kui kõrvaldate käesoleva toote, võtke palun ühendust turustaja või filiaaliga oma riigis. Kontaktisikud on toodud EIZO veebilehel järgmisel aadressil:
<http://www.eizoglobal.com>

Újrahasznosítási információ

Jelen terméket, amikor eldobjuk, az illető ország törvényei alapján kell összegyűjteni és újrahasznosítani, hogy csökkentsük a környezet terhelését. Amikor ezt a terméket eldobja, kérjük lépjen kapcsolatba egy országon belüli forgalmazóval vagy társvállalkozással.
A kapcsolat címei az EIZO alábbi weboldalán találhatók felsorolva:
<http://www.eizoglobal.com>

Podatki o recikliranju

Ob koncu uporabe odslužen izdelek izročite na zbirno mesto za recikliranje v skladu z okoljevarstveno zakonodajo vaše države. Prosimo, da se pri odstranjevanju izdelka obrnete na lokalnega distributerja ali podružnico.
Kontaktne naslovi so objavljeni na spodaj navedenih spletnih straneh EIZO:
<http://www.eizoglobal.com>

Informácie o recyklácii

Pri likvidácii musí byť tento výrobok recyklovaný v súlade s legislatívou vašej krajiny, aby sa znížilo zaťaženie životného prostredia. Keď sa chcete zbaviť tohto výrobku, kontaktujte prosím distribútora alebo pobočku vo vašej krajine.
Zoznam kontaktných adries je uvedený na nasledovnej webovej stránke firmy EIZO:
<http://www.eizoglobal.com>

Pārstrādes informācija

Utilizējot šo produktu, tā savākšana un pārstrāde veicama atbilstoši jūsu valsts likumdošanas prasībām attiecībā uz slodzes uz vidi samazināšanu. Lai veiktu šī produkta utilizāciju, sazinieties ar izplatītāju vai pārstāvniecību jūsu valstī.
Kontaktadrese ir norādītas zemāk minētajā EIZO tīmekļa vietnē.
<http://www.eizoglobal.com>

Informacja apie gražinamąjį perdirbimą

Šalinant (išmetant) šiuos gaminius juos reikia surinkti ir perdirbti gražinamuoju būdu pagal jūsų šalies teisės aktus, siekiant sumažinti aplinkos teršimą. Kai reikia išmesti šį gaminį, kreipkitės į jūsų šalyje veikiančią gaminių pardavimo atstovybę arba jos filiaalą.
Kontaktiniai adresatai nurodyti EIZO interneto svetainėje.
<http://www.eizoglobal.com>

Информация относно рециклиране

При изхвърлянето на този продукт се предлага събирането и рециклирането му съобразно законите на вашата страна за да се намали замърсяването на околната среда. Когато искате да се освободите от този продукт, моля свържете се с търговския му представител или със съответните органи отговарящи за това във вашата страна.

Данните за връзка с нас са описани на следния Интернет сайт на EIZO:
<http://www.eizoglobal.com>

Informație referitoare la reciclare

Acest produs, când debarasat, trebuie colectat și reciclat conform legislației țării respective ca să reducem sarcina mediului. Când se debarasează de acest produs, vă rugăm să contactați un distribuitor sau un afiliat al țării respective.

Adresele de contact le găsiți pe pagina de web al EIZO:
<http://www.eizoglobal.com>

معلومات عن إعادة التدوير

عند التخلص من هذا المنتج، من الضروري تجميعه وإعادة تدويره وفقاً للقوانين المتبعة في بلدك لتقليل العبء المسلط على البيئة. عندما تتخلص من هذا المنتج، يرجى الاتصال بموزع أو طرف متنسب إليه في بلدك. عناوين الاتصال مدرجة في موقع ايزو EIZO ادناه على شبكة الانترنت.

<http://www.eizoglobal.com>

Geri Dönüşüm Bilgisi

Bu ürünün, atılacağı zaman, ülkenizin çevre kirliliğinin azaltılması konusundaki mevzuatına göre toplanması ve yeniden değerlendirilmesi gerekmektedir. Ürünü atacağınız zaman lütfen ülkenizdeki bir distribütör veya ilgili kuruluşla temasa geçiniz.

İrtibat adresleri aşağıdaki EIZO web sitesinde verilmiştir.
<http://www.eizoglobal.com>

