

DuraVision® FDH3601

Color LCD Monitor

English

Deutsch

Français

中文

Setup Manual

Important: Please read this Setup Manual and the User's Manual stored (on the CD-ROM) carefully to familiarize yourself with safe and effective usage. Please retain this manual for future reference.

Installationshandbuch

Wichtig: Lesen Sie dieses Handbuch zur Einrichtung und das Benutzerhandbuch (auf der CD-ROM) aufmerksam durch, um sich mit der sicheren und effizienten Bedienung vertraut zu machen. Bewahren Sie dieses Handbuch zum späteren Nachschlagen auf.

Manuel d'installation

Important : Veuillez lire attentivement ce Manuel d'installation ainsi que le Manuel d'utilisation (inclus sur le CD-ROM) afin de vous familiariser avec ce produit et de l'utiliser efficacement et en toute sécurité. Veuillez conserver ce manuel pour référence ultérieure.

设定手册

重要事项: 请仔细阅读本设定手册和用户手册（储存在光盘上），以便掌握如何安全、有效地使用本产品。请保留本手册，以备日后参考。



Compatible Resolutions

Kompatible Auflösungen

Résolutions compatibles

兼容的分辨率

The monitor supports the following resolutions.

Der Monitor unterstützt die folgenden Auflösungen.

Ce moniteur prend en charge les résolutions suivantes.

本显示器支持下列分辨率。

√ : Supported

| Resolution | Applicable signal | Dot Clock: | Vertical Scan Frequency | 4096×2160 Mode | | 4096×2048 Mode | | 3840×2160 Mode | |
|-------------------------|-------------------|------------------------------|-------------------------|-----------------|--------------|-----------------|-----------------|-----------------|-----------------|
| | | | | DVI | Display Port | DVI | Display Port | DVI | Display Port |
| 640×480 | VGA | DVI: 310 MHz (Max.) | 60 Hz | √ | √ | √ | √ | √ | √ |
| 720×400 | VGA TEXT | | 70 Hz | √ | √ | √ | √ | √ | √ |
| 800×600 | VESA | | 60 Hz | √ | √ | √ | √ | √ | √ |
| 1024×768 | VESA | | 60 Hz | √ | √ | √ | √ | √ | √ |
| 1280×1024 | VESA | | 60 Hz | √ | √ | √ | √ | √ | √ |
| 1600×1200 | VESA | | 60 Hz | √ | √ | √ | √ | √ | √ |
| 1920×1200 | VESA CVT RB | | 60 Hz | √ ^{*3} | √ | √ ^{*3} | √ | √ ^{*3} | √ |
| 1920×1200 | VESA CVT | | 60 Hz | √ ^{*4} | √ | √ ^{*4} | √ | √ ^{*4} | √ |
| 1920×2160 | VESA CVT RB | Display Port: 290 MHz (Max.) | 30 Hz | - | - | - | - | √ ^{*3} | - |
| 1920×2160 | VESA CVT RB | | 60 Hz | - | - | - | - | √ ^{*4} | √ ^{*2} |
| 2048×2048 | VESA CVT RB | | 30 Hz | - | - | √ ^{*3} | - | - | - |
| 2048×2048 | VESA CVT RB | | 60 Hz | - | - | √ ^{*4} | √ ^{*2} | - | - |
| 2048×2160 | VESA CVT RB | | 30 Hz | √ ^{*3} | - | - | - | - | - |
| 2048×2160 ^{*1} | DP | | 60 Hz | - | √ | - | - | - | - |
| 2048×2160 ^{*1} | VESA CVT RB | | 60 Hz | √ ^{*4} | - | - | - | - | - |

*1 Recommended resolution.

*1 Empfohlene Auflösung.

*1 Résolution recommandée

*1 推荐的分辨率。

*2 It is also appropriate for the 10 bit.

*2 Es ist auch für 10 Bit geeignet.

*2 Il est aussi approprié pour le 10 bits.

*2 同样适合 10 位。

*3 Single Link

*4 Dual Link

A graphics board in conformance with the VESA standards is required.

Eine Grafikkarte ist erforderlich, die Anforderungen der Standards VESA erfüllt.

Une carte vidéo conforme aux normes VESA est requise.









需要符合 VESA 标准的显卡。

DuraVision® FDH3601

Color LCD Monitor

SAFETY SYMBOLS

This manual and this product use the safety symbols below. They denote critical information. Please read them carefully.

| | | | |
|---|---|---|---|
|  | WARNING Failure to abide by the information in a WARNING may result in serious injury and can be life threatening. |  | CAUTION Failure to abide by the information in a CAUTION may result in moderate injury and/or property or product damage. |
|  | Indicates an attention to be required. For example, the symbol  illustrates the hazard type such as “the risk of electric shock”. | | |
|  | Indicates a prohibited action. For example, the symbol  illustrates a particular prohibited action such as “Do not disassemble”. | | |
|  | Indicates a mandatory action that must be followed. For example, the symbol  illustrates the notification of general prohibition such as “Grounding the unit”. | | |

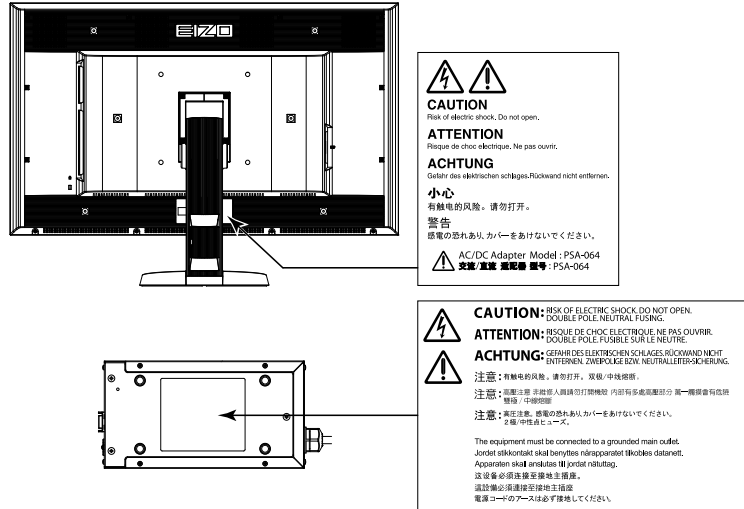
No part of this manual may be reproduced, stored in a retrieval system, or transmitted, in any form or by any means, electronic, mechanical, or otherwise, without the prior written permission of EIZO Corporation. EIZO Corporation is under no obligation to hold any submitted material or information confidential unless prior arrangements are made pursuant to EIZO Corporation’s receipt of said information. Although every effort has been made to ensure that this manual provides up-to-date information, please note that EIZO monitor specifications are subject to change without notice.

⚠ PRECAUTIONS

● IMPORTANT

- To personal safety and proper maintenance, please read carefully this section and the caution statements on the monitor.

Location of the Caution Statements



⚠ WARNING

If the unit begins to emit smoke, smells like something is burning, or makes strange noises, disconnect all power connections immediately and contact your dealer for advice.

Attempting to use a malfunctioning unit may result in fire, electric shock, or equipment damage.

Do not open the cabinet or modify the unit.

Opening the cabinet or modifying the unit may result in fire, electric shock, or burn.



Do not turn the bushing for fixing the AC adapter power cable.

Not doing so may result in fire, electric shock, or equipment damage.



Refer all servicing to qualified service personnel.

Do not attempt to service this product yourself as opening or removing covers may result in fire, electric shock, or equipment damage.

Keep small objects or liquids away from the unit.

Small objects accidentally falling through the ventilation slots into the cabinet or spillage into the cabinet may result in fire, electric shock, or equipment damage. If an object or liquid falls/spills into the cabinet, unplug the unit immediately. Have the unit checked by a qualified service engineer before using it again.



Place the unit at the strong and stable place.

A unit placed on an inadequate surface may fall and result in injury or equipment damage. If the unit falls, disconnect the power immediately and ask your dealer for advice. Do not continue using a damaged unit. Using a damaged unit may result in fire or electric shock.



WARNING

Use the unit in an appropriate location.

Not doing so may result in fire, electric shock, or equipment damage.

- Do not place outdoors.
- Do not place in a transportation system (ship, aircraft, train, automobile, etc.) where it may be affected by strong vibration or shock.
- Do not place in a dusty or humid environment.
- Do not place in a location where water is splashed on the screen (bathroom, kitchen, etc.).
- Do not place in a location where the steam comes directly on the screen.
- Do not place near heat generating devices or a humidifier.
- Do not place in a location where the product is subject to direct sunlight.
- Do not place in an inflammable gas environment.



To avoid danger of suffocation, keep the plastic packing bags away from babies and children.

Use the enclosed AC adapter.

The enclosed AC adapter (PSA-064) is for use with this product only. Do not use the AC adapter with other equipment. Connecting to power sources that do not match the power ratings of the AC adapter may result in fire or electric shock.

Use the enclosed power cord and connect to the standard power outlet of your country.

Be sure to remain within the rated voltage of the power cord. Not doing so may result in fire or electric shock.

Power supply: 100-240Vac 50/60Hz

To disconnect the power cord or adapter power cable, grasp the plug firmly and pull.

Tugging on the cord or cable may damage and result in fire or electric shock.



The equipment must be connected to a grounded main outlet.

Failure to do so may result in fire or electric shock.



Use the correct voltage.

- The unit is designed for use with a specific voltage only. Connection to another voltage than specified in this User's Manual may cause fire, electric shock, or equipment damage.
Power supply: 100-240Vac 50/60Hz
- Do not overload your power circuit, as this may result in fire or electric shock.

Handle the power cord and AC adapter with care.

Do not place heavy objects on, pull or tie the power cord or the AC adapter. Use of a damaged cord or AC adapter may result in fire or electric shock.



Never touch the plug, AC adapter or power cord during a thunderstorm.

Touching them may result in electric shock.



When attaching an arm stand, please refer to the user's manual of the arm stand and install the unit securely.

Not doing so may cause the unit to become unattached, which may result in injury or equipment damage. When the unit is dropped, please ask your dealer for advice. Do not continue using a damaged unit. Using a damaged unit may result in fire or electric shock.

When reattaching the tilt stand, please use the same screws and tighten them securely.

Do not touch a damaged LCD panel directly with bare hands.

The liquid crystal that may leak from the panel is poisonous if it enters the eyes or mouth. If any part of the skin or body comes in direct contact with the panel, please wash thoroughly. If some physical symptoms result, please consult your doctor.



Fluorescent backlight lamps contain mercury (the products that have LED backlight lamps contain no mercury), dispose according to local, state or federal laws.

CAUTION

Handle with care when carrying the unit.

Disconnect the power cord and cables when moving the unit. Moving the unit with the cord attached is dangerous. It may result in injury.

Carry or place the unit according to the correct specified methods.

- When carrying the unit, grasp and hold firmly as shown in the illustration below.
- Do not unpack or carry the unit only by a single person, since the large size unit is so heavy.

Dropping the unit may result in injury or equipment damage.



Do not block the ventilation slots on the cabinet.

- Do not place any objects on the ventilation slots.
- Do not install the unit in a closed space.
- Do not use the unit laid down or upside down.

Blocking the ventilation slots prevents proper airflow and may result in fire, electric shock, or equipment damage.



Do not touch the plug or AC adapter with wet hands.

Doing so may result in electrical shock.



Use an easily accessible power outlet.

This will ensure that you can disconnect the power quickly in case of a problem.

Mind that the AC adapter becomes hot during use.

- Do not cover or place anything on top of the AC adapter. Do not place the AC adapter on top of things that trap heat such as carpets, blankets, etc. Keep the AC adapter away from direct sunlight and heat sources such as heaters. Not doing so may result in fire.
- Do not touch with bare hands. Doing so may result in burns.
- Before moving the monitor, be sure to turn off the power switch, disconnect the power plug from the power outlet, and wait until it has cooled completely.

Do not suspend the AC adapter in midair.

Using it while suspended in midair may result in fire or electric shock.



Periodically clean the area around the power plug and the ventilation slot of the AC adapter.

Dust, water, or oil on the plug may result in fire.

Unplug the unit before cleaning it.

Cleaning the unit while it is plugged into a power outlet may result in electric shock.

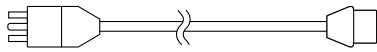
If you plan to leave the unit unused for an extended period, disconnect the power cord from the wall socket after turning off the power switch for the safety and the power conservation.

Package Contents

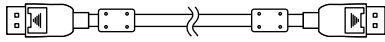
Check that all the following items are included in the packaging box. If any items are missing or damaged, contact your local dealer.

Note

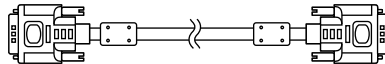
- Please keep the packaging box and materials for future movement or transport of the monitor.
 - Monitor
 - Power cord
 - AC adapter (PSA-064)
 - EIZO LCD Utility Disk (CD-ROM)
 - Setup Manual (this manual)
 - VESA Mounting Screws: M6 × 16: 4 pcs.
 - Power cord holder
 - Recycling Information



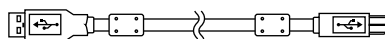
- Digital signal cable (DisplayPort) : PP200 × 2 pcs.



- Digital signal cable (Dual Link) : DD200-DL × 2 pcs.

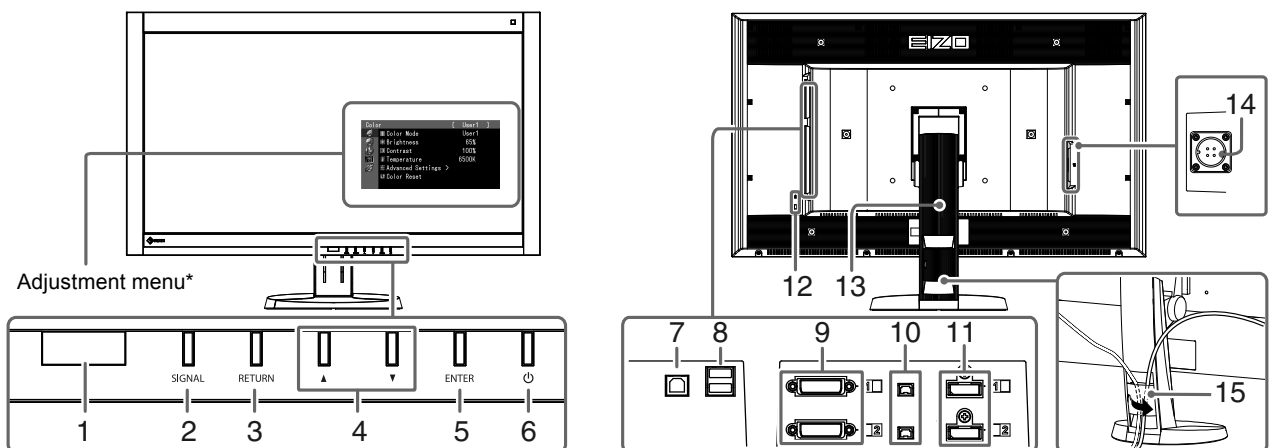


- EIZO USB cable: MD-C93



Controls and Functions

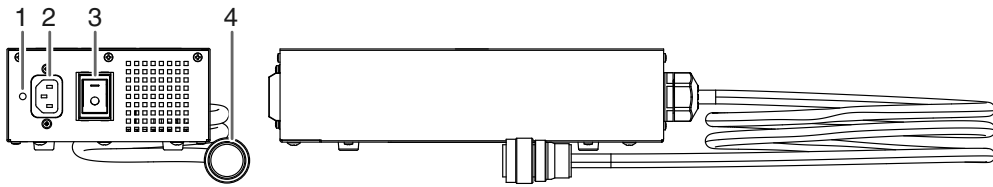
Monitor



| | |
|-----------------------------------|---|
| 1. EcoView Sense sensor | Detects the movement of a person in front of the monitor. |
| 2. SIGNAL button | Switches input signals for display. |
| 3. RETURN button | Cancels the setting/adjustment and exits the Adjustment menu. |
| 4. ▲▼ button | Chooses and increases/decreases adjustment settings for advanced adjustment using the Adjustment menu. |
| 5. ENTER button | Displays the Adjustment menu, determines an item on the menu screen, and saves values adjusted. |
| 6. ⏻ button | <ul style="list-style-type: none"> • Turns the power on or off. • Indicates the monitor's operation status. Green: Operating, Orange: Power saving mode, Off: AC adapter main power/power off |
| 7. USB port (Up) | Connects the USB cable to use USB Hub function. |
| 8. USB port (Down) | Connects a peripheral USB device. |
| 9. Input signal connector | DVI-D connector |
| 10. DC5V Output | Supplies electrical power to the external devices. |
| 11. Input signal connector | DisplayPort connector |
| 12. Security lock slot | Complies with Kensington's MicroSaver security system. |
| 13. Stand | Used to adjust the height and angle of the monitor screen. |
| 14. Power connector | Used to connect the AC adapter power cable. |
| 15. Cable holder | Covers the monitor cables. |

* For instructions for use, refer to the User's Manual (on the CD-ROM).

AC adapter (PSA-064)



| | |
|--------------------------------------|---|
| 1. Power cord holder attachment hole | Used to attach the power cord holder. |
| 2. Power connector | Connects the power cord. |
| 3. Main power switch | Turns the main power on or off. |
| 4. Power cable | Connects with the power connector on the monitor. |

Connecting Cables

Attention

- Check that the monitor and the PC are powered off.
- When replacing the current monitor with this monitor, be sure to change the PC settings for resolution and vertical scan frequency to those that are available for this monitor. Refer to the compatible resolution table (back of cover page) before connecting the PC.

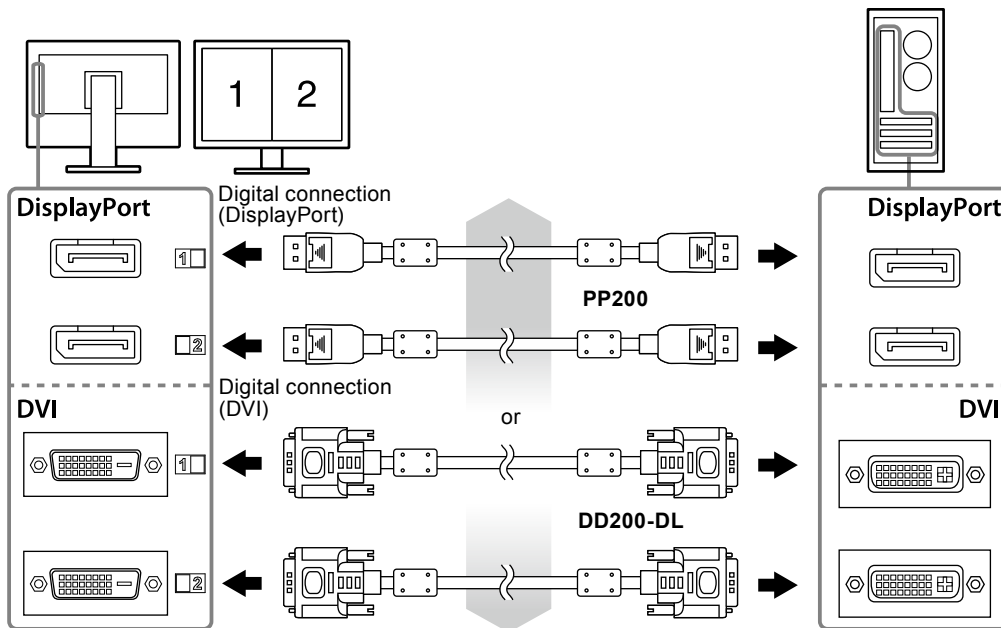
Note

- When connecting multiple PCs to this product, refer to the User's Manual (on the CD-ROM).

1. Connect the signal cables to the input signal connectors and PC.

Check the shape of the connectors, and connect the cables.

After connecting the signal cable, tighten the screws of the connectors to secure the coupling.



2. Connect the AC adapter power cable to the power connector on the monitor.

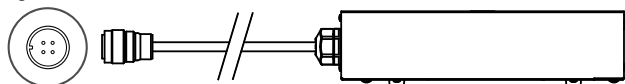
Attention

- Do not remove or connect the cable while the AC adapter main power is on.
- Do not install the AC adapter in the wrong orientation. The side with the EIZO logo should face up.

Check the shape of the monitor connector, and connect the power cable.

Tighten the screw for fixing the power cable to secure the power cable.

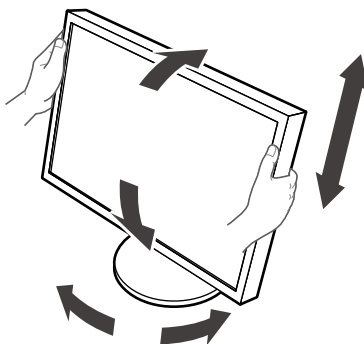
Connecting to the Monitor



3. Plug the power cord into a power outlet and the power connector on the AC adapter.

Adjusting the Screen Height and Angle

Hold left and right edge of the monitor with both hands, and adjust the screen height, tilt and swivel of the screen to the best condition for working.

**Attention**

- Be sure that the cables are correctly connected.

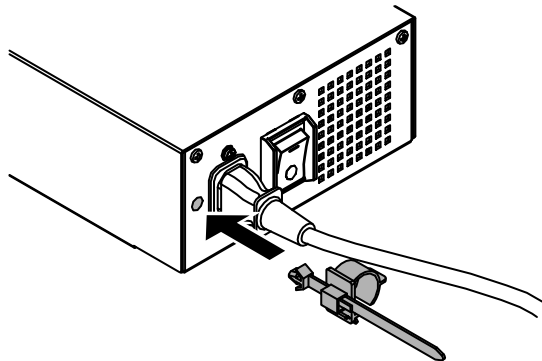
Attaching a Power Cord Holder

Attach the power cord holder to prevent the power cord from falling off.

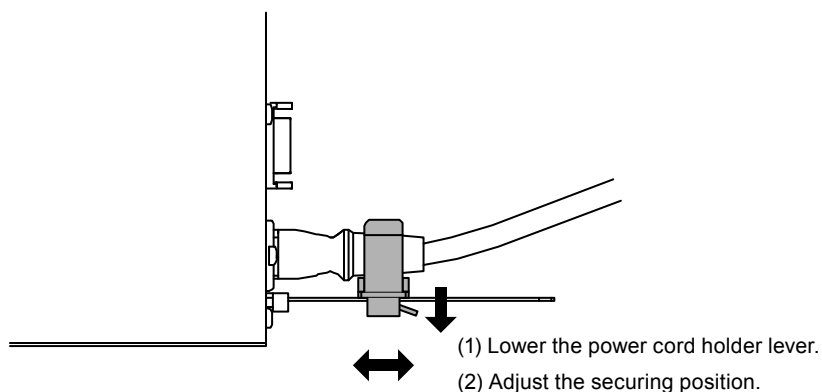
Attention

- Be sure to attach the power cord holder when the main power to the AC adapter is off or before the power cable is plugged into the power outlet.

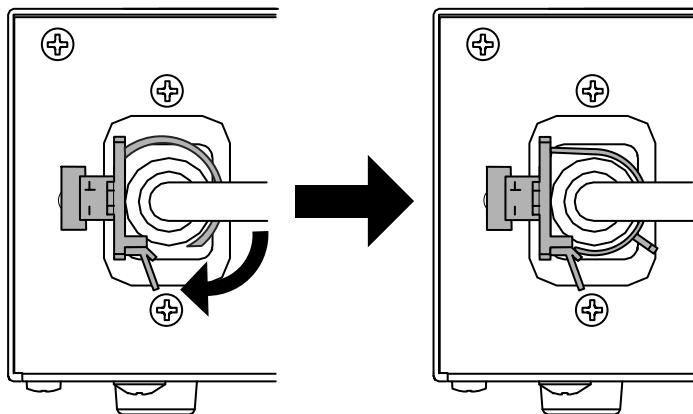
1. Attach the supplied power cord holder to the power cord attachment hole on the AC adapter.



2. Adjust the position to secure the power cord holder referring to the figure shown below.



3. Secure the power cord holder to prevent the power cord from falling off.



*Check that the power cord holder is secured.

Displaying Screens

1. Turn on the AC adapter main power.

-: On, ○: Off

2. Press to turn on the monitor.

The monitor's power indicator lights up green.

3. Turn on the PC.


The screen image appears.

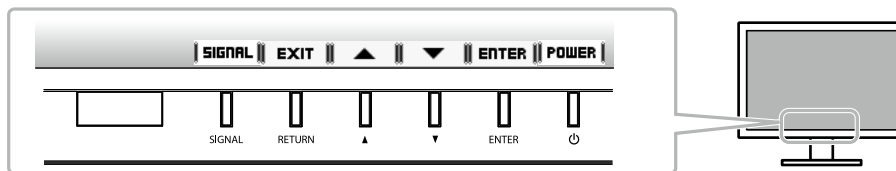
If an image does not appear, refer to “No picture” (page 10) for additional advice.

Attention

- Turn off the monitor and PC after using them.
- For the maximum power saving, it is recommended that the Power button be turned off. Turning off the AC adapter main power switch or unplugging the power cord completely shuts off power supply to the monitor.

Showing Button Guide

Press the front buttons (except  button), the button guide appears above the button.




Note

- The button guide will continue to appear while the Adjustment menu is showing.
- The button guide is displayed differently depending on the selected menu or status.

No picture

If a problem still remains after applying the suggested remedies, contact your local dealer.









| Problem | Possible cause and remedy |
|--|---|
| <p>1. No picture</p> <ul style="list-style-type: none"> Power indicator does not light. <hr/> <ul style="list-style-type: none"> Power indicator is lighting green. <hr/> <ul style="list-style-type: none"> Power indicator is lighting orange. <hr/> <ul style="list-style-type: none"> Power indicator flashes orange and green. | <ul style="list-style-type: none"> Check whether the power cord and the adapter power cable are connected properly. Turn the AC adapter main power switch on. Press . Turn off the AC adapter main power, and then turn it on again a few minutes later. Increase "Brightness", "Contrast", or "Gain" in the Adjustment menu. Switch the input signal with SIGNAL. Operate the mouse or keyboard. Check whether the PC is turned on. When the EcoView Sense sensor is set at a value from "Level-1" to "Level-4", the monitor may have shifted to the power saving mode. Come near to the monitor. There is a problem in the device that uses DisplayPort connection. Solve the problem, turn off the monitor, and then turn it on again. Refer to the user's manual of the device that uses DisplayPort connection for details. |
| <p>2. The message below appears.</p> <ul style="list-style-type: none"> This message appears when no signal is input. Example: <div data-bbox="316 1012 627 1355" data-label="Image"> </div> <ul style="list-style-type: none"> The message shows that the input signal is out of the specified frequency range. (Such signal frequency is displayed in magenta.) Example: <div data-bbox="316 1496 627 1888" data-label="Image"> </div> <p>fD: Dot clock fH: Horizontal scan frequency fV: Vertical scan frequency</p> | <p>This message appears when the signal is not input correctly even when the monitor functions properly.</p> <ul style="list-style-type: none"> The message shown left may appear, because some PCs do not output the signal soon after power-on. Check whether the PC is turned on. Check whether the signal cable is connected properly. Switch the input signal with SIGNAL. <hr/> <ul style="list-style-type: none"> Check whether the PC is configured to meet the resolution and vertical scan frequency requirements of the monitor (see "Compatible Resolutions"). Reboot the PC. Select an appropriate display mode using the graphics board's utility. Refer to the manual of the graphics board for details. |

DuraVision® FDH3601

LCD-Farbmonitor

SICHERHEITSSYMBOL

In diesem Handbuch und für dieses Produkt werden die unten aufgeführten Sicherheitssymbole verwendet. Sie geben Hinweise auf äußerst wichtige Informationen. Bitte lesen Sie diese Informationen sorgfältig durch.

|  VORSICHT |  ACHTUNG |
|---|--|
| Die Nichtbefolgung von unter VORSICHT angegebenen Anweisungen kann schwere Verletzungen oder sogar lebensbedrohende Situationen zur Folge haben. | Die Nichtbeachtung unter ACHTUNG angegebener Informationen kann mittelschwere Verletzungen und/oder Schäden oder Veränderungen des Produkts zur Folge haben. |
|  Weist auf eine zu beachtende Warnung hin. Beispiel: Das Symbol  steht für Gefahr, z. B. „Risiko eines Stromschlags“. | |
|  Weist auf eine unerlaubte Vorgehensweise hin. Beispiel: Das Symbol  weist auf eine verbotene Vorgehensweise hin, z. B. „Nicht auseinander nehmen“. | |
|  Weist auf eine zwingend zu befolgende Vorgehensweise hin. Beispiel: Das Symbol  steht für einen allgemeinen Hinweis z. B. „Erden des Geräts“. | |

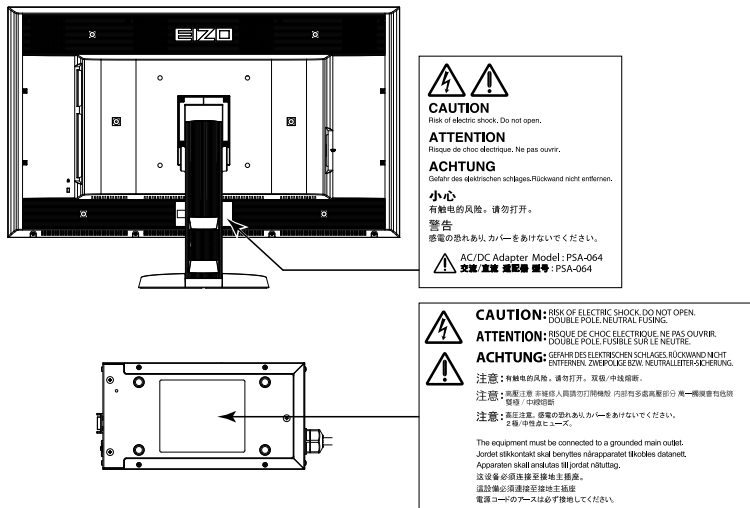
Kein Teil dieses Handbuchs darf ohne die vorherige schriftliche Zustimmung von EIZO Corporation in irgendeiner Form oder mit irgendwelchen Mitteln – elektronisch, mechanisch oder auf andere Weise – reproduziert, in einem Suchsystem gespeichert oder übertragen werden. EIZO Corporation ist in keiner Weise verpflichtet, zur Verfügung gestelltes Material oder Informationen vertraulich zu behandeln, es sei denn, es wurden mit EIZO Corporation beim Empfang der Informationen entsprechende Abmachungen getroffen. Obwohl größte Sorgfalt aufgewendet wurde, um zu gewährleisten, dass die Informationen in diesem Handbuch dem neuesten Stand entsprechen, ist zu beachten, dass die Spezifikationen der Monitore von EIZO ohne vorherige Ankündigung geändert werden können.

VORSICHTSMASSNAHMEN

● Wichtig

- Lesen Sie diesen Abschnitt und die Warnhinweise am Monitor sorgfältig durch, um Personensicherheit und richtige Wartung zu gewährleisten.

Stelle der Warnungshinweise



VORSICHT

Wenn das Gerät Rauch entwickelt, verbrannt riecht oder merkwürdige Geräusche produziert, ziehen Sie sofort alle Netzkabel ab, und bitten Sie Ihren Fachhändler um Rat.

Der Versuch, mit einem fehlerhaften Gerät zu arbeiten, kann Feuer, einen elektrischen Schlag oder eine Beschädigung des Geräts verursachen.

Öffnen Sie nicht das Gehäuse, und nehmen Sie keine Änderungen am Gerät vor.

Dadurch werden möglicherweise Feuer, elektrischer Schlag oder Verbrennungen verursacht.



Drehen Sie nicht die Buchse zur Befestigung des Netzteil-Netzkabels.

Zu widerhandlungen führen möglicherweise zu Feuer, zu einem elektrischen Schlag oder zur Beschädigung des Gerätes.



Überlassen Sie die Wartung qualifiziertem Servicepersonal.

Führen Sie Wartungsarbeiten an diesem Produkt nicht selbst durch, da das Öffnen oder Entfernen von Abdeckungen möglicherweise Feuer, einen Stromschlag oder Schäden am Gerät verursacht.

Halten Sie Flüssigkeiten und kleine Gegenstände vom Gerät fern.

Flüssigkeiten oder kleine Gegenstände können aus Versehen durch die Lüftungsschlitze in das Gehäuse gelangen und somit Feuer, einen elektrischen Schlag oder eine Beschädigung des Geräts verursachen. Sollte ein Gegenstand oder eine Flüssigkeit in das Gehäuse gelangt sein, ist sofort das Netzkabel des Geräts abzuziehen. Lassen Sie das Gerät in diesem Fall von einem qualifizierten Servicetechniker überprüfen, bevor Sie wieder damit arbeiten.



Stellen Sie das Gerät auf eine feste, stabile Fläche.

Ein an einer ungeeigneten Stelle aufgestelltes Gerät kann herunterfallen und dabei Verletzungen oder Geräteschäden verursachen.

Fällt das Gerät herunter, ziehen Sie sofort das Netzkabel ab, und wenden Sie sich an Ihren Fachhändler.

Arbeiten Sie nicht mit einem beschädigten Gerät, da Brand- und Stromschlaggefahr besteht.



VORSICHT

Verwenden Sie das Gerät an einem geeigneten Platz.

Andernfalls könnte das Gerät beschädigt werden, und es besteht Brand- und Stromschlaggefahr.

- Verwenden Sie das Gerät nicht im Freien.
- Geben Sie das Gerät nicht als Transportgut auf (per Schiff, Flugzeug, Zug, Auto usw.), da es dort starken Vibrationen oder Stößen ausgesetzt werden kann.
- Installieren Sie es nicht in staubiger oder feuchter Umgebung.
- Stellen Sie das Gerät nicht an einem Ort ab, an dem Wasser auf den Bildschirm spritzen könnte (Bad, Küche usw.).
- Stellen Sie es nicht an einen Platz, an dem Licht direkt auf den Bildschirm fällt.
- Stellen Sie es nicht in die Nähe eines Wärme erzeugenden Geräts oder eines Luftbefeuchters.
- Stellen Sie ihn nicht an einem Platz auf, wo das Produkt direkter Sonneneinstrahlung ausgesetzt ist.
- Nicht in feuergefährlicher Umgebung aufstellen (z. B. Gas).



Zur Vermeidung von Erstickungsgefahr bewahren Sie die Kunststoffverpackungstüten außer Reichweite von Säuglingen und Kleinkindern auf.

Verwenden Sie das mitgelieferte Netzteil.

Das mitgelieferte Netzteil (PSA-064) ist nur für die Verwendung mit diesem Produkt gedacht. Benutzen Sie das Netzteil nicht mit anderen Geräten. Das Verbinden mit Stromquellen, die nicht mit den Nennleistungen des Netzteils übereinstimmen, können zu Feuer oder zu einem elektrischen Schlag führen.

Verwenden Sie zum Anschließen an die landesspezifische Standard-Netzspannung das beiliegende Netzkabel.

Stellen Sie sicher, dass die Nennspannung des Netzkabels nicht überschritten wird. Andernfalls besteht Brand- und Stromschlaggefahr.

Stromversorgung: 100 - 240 Vac 50/60 Hz

Halten Sie beim Ziehen des Netzkabels oder Netzteil-Netzkabels aus der Steckdose den Stecker gut fest.

Das Zerren am Kabel kann dieses beschädigen und zu einem Feuer oder elektrischen Schlag führen.



Das Gerät muss an eine ordnungsgemäß geerdete Steckdose angeschlossen werden.

Andernfalls besteht Brand- und Stromschlaggefahr.



Arbeiten Sie mit der richtigen Spannung.

- Das Gerät ist ausschließlich für den Betrieb mit einer bestimmten Spannung konfiguriert. Bei Anschluss an eine andere als die in dieser Bedienungsanleitung angegebene Spannung besteht die Gefahr von Bränden, Stromschlag oder Geräteschäden.
Stromversorgung: 100 - 240 Vac 50/60 Hz
- Überlasten Sie den Stromkreis nicht, da dies Feuer oder einen Stromschlag verursachen kann.

Behandeln Sie das Netzkabel und das Netzteil mit Vorsicht.

Legen Sie keine schweren Gegenstände auf das Netzkabel oder das Netzteil und ziehen Sie nicht daran. Die Benutzung eines beschädigten Kabels oder Netzteils kann zu einem Feuer oder elektrischen Schlag führen.



Berühren Sie weder den Stecker noch das Netzteil oder Netzkabel während eines Gewitters.

Andernfalls erleiden Sie möglicherweise einen Stromschlag.



Wenn Sie einen Schwenkarm anbringen, befolgen Sie die Anweisungen in der Bedienungsanleitung des Schwenkarms, und installieren Sie das Gerät sorgfältig.

Andernfalls kann es herunterfallen und dabei Verletzungen oder Schäden am Gerät verursachen. Sollte das Gerät heruntergefallen sein, wenden Sie sich an Ihren Fachhändler. Arbeiten Sie nicht mit einem beschädigten Gerät. Die Verwendung eines beschädigten Geräts kann Feuer oder einen Stromschlag verursachen.

Wenn Sie den Kippräger wieder anbringen, verwenden Sie die gleichen Schrauben, und ziehen Sie sie sorgfältig fest.

Berühren Sie ein beschädigtes LCD-Display nicht mit bloßen Händen.

Der austretende Flüssigkristall ist giftig und sollte nicht in Augen oder Mund gelangen.

Sollte Haut oder ein Körperteil mit dem Display in Berührung gekommen sein, waschen Sie die Stelle gründlich ab.

Treten körperliche Symptome auf, wenden Sie sich an einen Arzt.



Fluoreszierende Hintergrundlichtlampen enthalten Quecksilber (die Produkte mit LED-Hintergrundlampen enthalten kein Quecksilber). Entsorgen Sie sie gemäß regionalen oder bundesweiten Verordnungen.

ACHTUNG

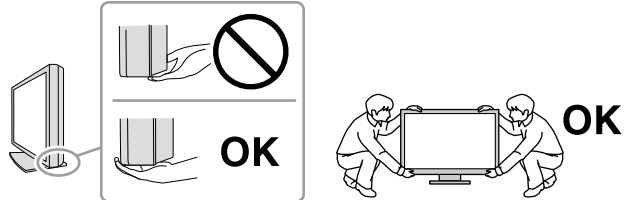
Tragen Sie das Gerät vorsichtig.

Ziehen Sie das Netzkabel und andere Kabel ab, wenn Sie das Gerät tragen. Das Tragen des Geräts mit angeschlossenen Kabeln ist gefährlich. Sie können sich dabei verletzen.

Befördern oder platzieren Sie das Gerät nur gemäß den angegebenen Methoden.

- Halten Sie das Gerät beim Tragen gut fest (siehe Abbildung unten).
- Packen Sie das Gerät nicht alleine aus bzw. tragen es nicht alleine, da es sehr schwer ist.

Wird das Gerät fallen gelassen, besteht Verletzungsgefahr, und das Gerät kann beschädigt werden.



Blockieren Sie die Lüftungsschlitze am Gehäuse nicht.

- Legen Sie keine Objekte auf die Lüftungsschlitze.
- Installieren Sie das Gerät nicht in einem engen Raum.
- Setzen Sie das Gerät nur in der korrekten Ausrichtung ein.

Das Blockieren der Lüftungsschlitze führt dazu, dass die Luft nicht mehr zirkuliert und somit Feuer, ein Stromschlag oder eine Beschädigung des Geräts verursacht werden kann.



Berühren Sie den Netzstecker oder das Netzteil nicht mit nassen Händen.

Dies führt zu einem Stromschlag.



Schließen Sie das Netzkabel an eine leicht zugängliche Steckdose an.

Damit stellen Sie sicher, dass Sie das Netzkabel im Notfall schnell abziehen können.

Beachten Sie, dass das Netzteil bei der Benutzung heiß wird.

- Decken Sie das Netzteil nicht ab und legen Sie nichts darauf. Legen Sie das Netzteil nicht auf Gegenstände, die einen Hitzestau ermöglichen, beispielsweise Teppiche, Decken usw. Halten Sie das Netzteil von direktem Sonnenlicht und Wärmequellen wie beispielsweise Heizungen fern. Zuwiderhandlungen führen möglicherweise zu Feuer.
- Berühren Sie das Gerät nicht mit bloßen Händen. Dies kann zu Verbrennungen führen.
- Bevor Sie das Netzteil bewegen, achten Sie darauf, den Hauptnetz-Schalter auszuschalten, den Netzstecker aus der Steckdose zu ziehen und zu warten, bis das Netzteil vollständig abgekühlt ist.

Hängen Sie das Netzteil nicht in der Luft auf.

Wenn Sie das Netzteil in der Luft aufhängen, kann dies zu Feuer oder elektrischem Schlag führen.



Reinigen Sie den Bereich um den Netzstecker und den Lüftungsschlitz des Netzteils regelmäßig.

Staub, Wasser oder Öl auf dem Stecker erhöht die Brandgefahr.

Ziehen Sie das Netzkabel ab, bevor Sie das Gerät reinigen.

Wenn Sie das Gerät bei angeschlossenem Netzkabel reinigen, können Sie einen Stromschlag erleiden.

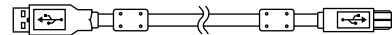
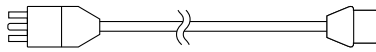
Wenn Sie das Gerät längere Zeit nicht benutzen, ziehen Sie das Netzkabel aus Sicherheitsgründen sowie zur Energieeinsparung nach Ausschalten des Geräts aus der Steckdose.

Verpackungsinhalt

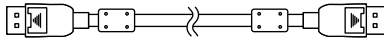
Prüfen Sie, ob sich alle der folgenden Gegenstände in der Verpackung befinden. Sollte einer der Gegenstände fehlen oder beschädigt sein, wenden Sie sich an Ihren Fachhändler.

Hinweis

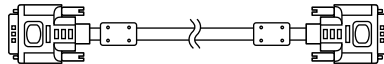
- Heben Sie die Verpackung sowie die Verpackungsmaterialien für evtl. Transporte des Monitors gut auf.
 - Monitor
 - Netzkabel



- Digitales Signalkabel (DisplayPort) : PP200 × 2 St.



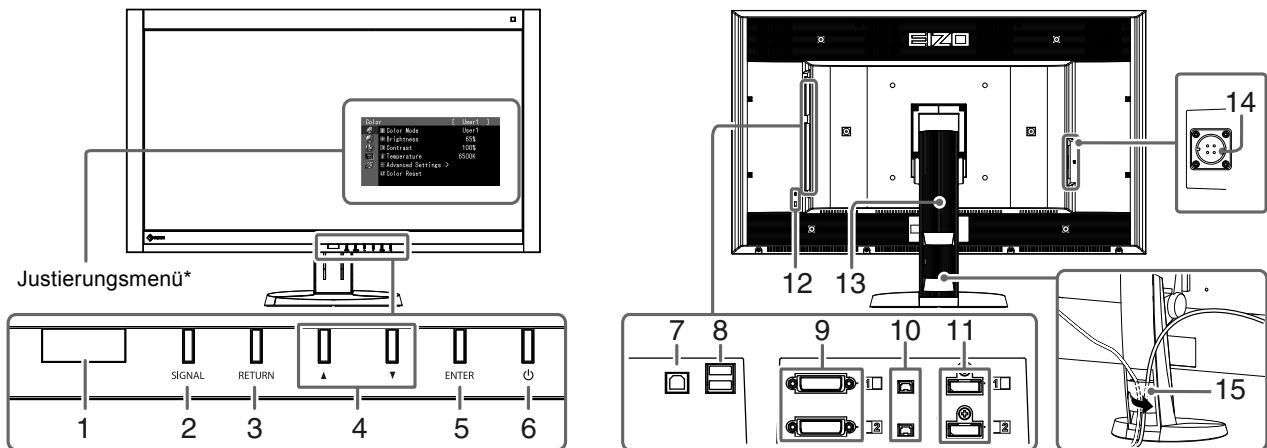
- Digitales Signalkabel (Dual-Link) : DD200-DL × 2 St.



- Netzteil (PSA-064)
- EIZO LCD Utility Disk (CD-ROM)
- Installationshandbuch (das vorliegende Handbuch)
- VESA-Befestigungsschrauben : M6 × 16 : 4 St.
- Netzkabelabdeckung
- Recycling-Informationen

Steuerelemente und Funktionen

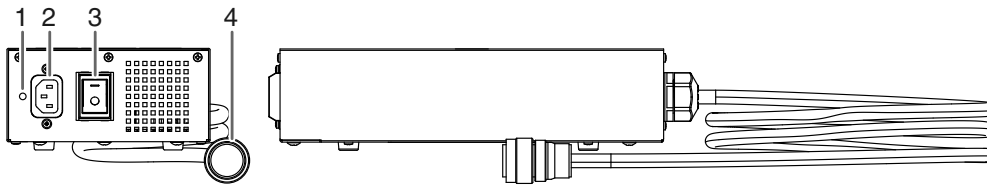
Monitor



| | |
|---|--|
| 1. EcoView Sense-Sensor | Erkennt die Bewegung einer Person vor dem Monitor. |
| 2. SIGNAL Taste | Schaltet zwischen den Eingangssignalen für die Anzeige um. |
| 3. RETURN Taste | Abbruch der Einstellung/Justierung und Beenden des Justierungsmenüs. |
| 4. ▲ ▼ Taste | Wählt und erhöht/verringert Justierungseinstellungen für die erweiterte Justierung mithilfe des Justierungsmenüs. |
| 5. ENTER Taste | Zeigt das Justierungsmenü an, wählt ein Element im Menübildschirm und speichert geänderte Werte. |
| 6. ⏻ Taste | <ul style="list-style-type: none"> • Zum Ein- und Ausschalten. • Zeigt den Betriebsstatus des Monitors an. Grün: In Betrieb, Orange: Energiesparmodus, Aus: Hauptnetz/Netzschalter des Netzteils aus |
| 7. USB-Anschluss (oben) | Dient zum Anschließen des USB-Kabels zur Verwendung der USB-Hub-Funktion. |
| 8. USB-Anschluss (unten) | Verbindet ein USB-Peripheriegerät. |
| 9. Signaleingang | DVI-D-Anschluss |
| 10. DC5V Output | Versorgt die externen Geräte mit elektrischem Strom. |
| 11. Signaleingang | DisplayPort-Anschluss |
| 12. Öffnung für Diebstahlsicherung | Kompatibel mit dem Kensington MicroSaver-Sicherheitssystem. |
| 13. Standfuß | Wird zum Justieren der Höhe und des Winkels des Monitorbildschirms verwendet. |
| 14. Netzanschluss | Dient zum Verbinden des Netzteil-Netzkabels. |
| 15. Kabelabdeckung | Verdeckt die Monitorkabel. |

* Informationen zur Verwendung entnehmen Sie dem Benutzerhandbuch (auf der CD-ROM).

Netzteil (PSA-064)



| | |
|---|---|
| 1. Öffnung zum Befestigen der Netzkabelabdeckung | Dient zum Befestigen der Netzkabelabdeckung. |
| 2. Netzanschluss | Dient zum Verbinden des Netzkabels. |
| 3. Hauptnetz-Schalter | Schaltet das Hauptnetz ein oder aus. |
| 4. Netzkabel | Dient zum Verbinden mit dem Netzanschluss am Monitor. |

Kabel anschließen

Beachte

- Stellen Sie sicher, dass Computer und Monitor ausgeschaltet sind.
- Wenn der vorhandene Monitor durch diesen Monitor ersetzt wird, müssen auf jeden Fall die PC-Einstellungen für die Auflösung und die vertikale Abtastfrequenz auf diejenigen umgeändert werden, die für diesen Monitor verfügbar sind. Ziehen Sie vor dem Anschließen des PCs die Tabelle Kompatible Auflösung (Rückseite des Deckblattes) zu Rate.

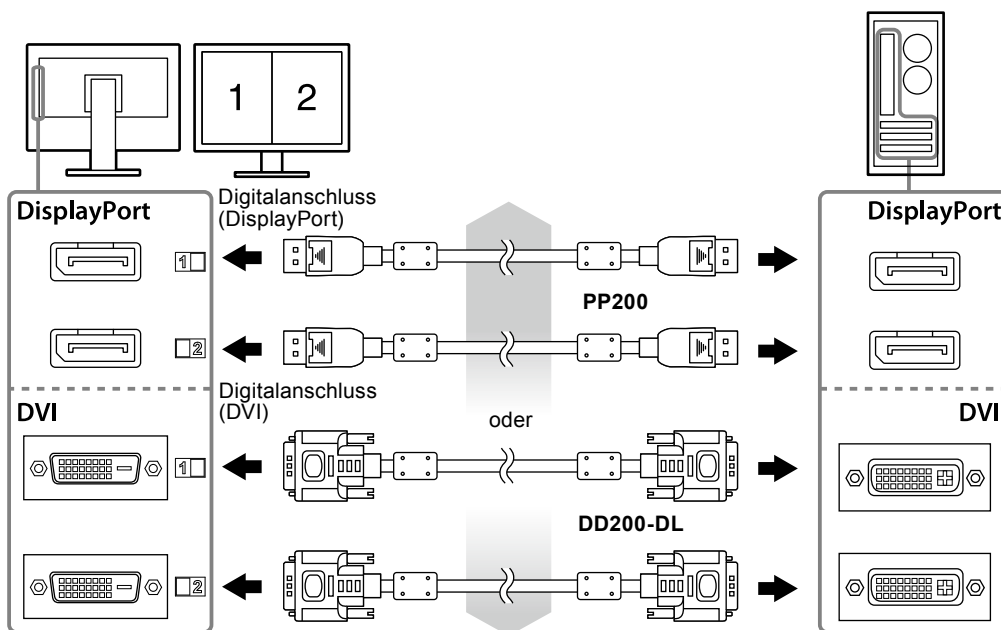
Hinweis

- Lesen Sie im Benutzerhandbuch (auf der CD-ROM) nach, wenn Sie mehrere PCs an das Produkt anschließen.

1. Verbinden Sie die Signalkabel mit den Signaleingängen und dem PC.

Prüfen Sie die Form der Anschlüsse, bevor Sie die Kabel verbinden.

Ziehen Sie nach dem Anschließen der Signalkabel die Schrauben der Anschlüsse an, um die Verbindung zu sichern.



2. Verbinden Sie das Netzteil-Netz Kabel mit dem Netzanschluss am Monitor.

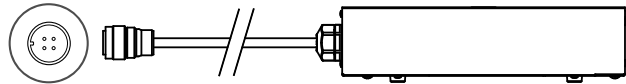
Beachte

- Entfernen oder verbinden Sie das Kabel nicht, solange das Netzteil-Hauptnetz eingeschaltet ist.
- Bringen Sie das Netzteil nicht in falscher Ausrichtung an. Die Seite mit dem EIZO-Logo muss nach oben weisen.

Prüfen Sie die Form des Monitoranschlusses, bevor Sie das Netzkabel verbinden.

Ziehen Sie die Schraube zum Befestigen des Netzkabels an, um das Netzkabel zu sichern.

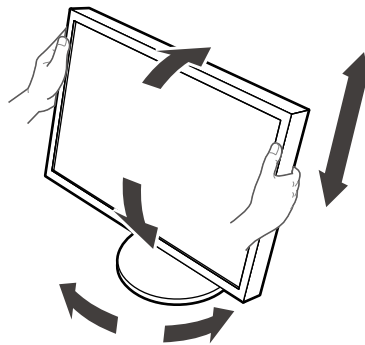
Anschließen an den Monitor



3. Verbinden Sie mithilfe des Netzkabels den Netzanschluss des Netzteils mit einer Steckdose.

Höhe und Neigung des Bildschirms einstellen

Halten Sie den Monitor mit beiden Händen am linken und rechten Rand fest und stellen Sie die für Ihren Arbeitsplatz optimale Höhe, Neigung und Drehung ein.



Beachte

- Vergewissern Sie sich, dass die Kabel richtig angeschlossen sind.

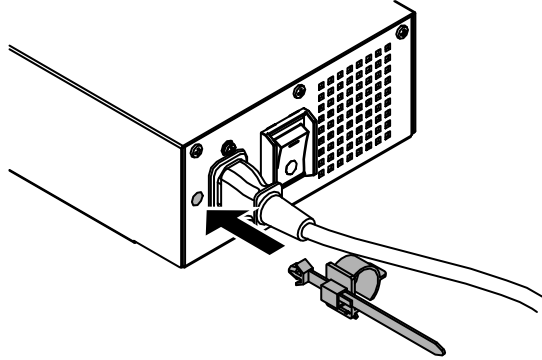
Netzkabelabdeckung anbringen

Bringen Sie die Netzkabelabdeckung an, damit das Netzkabel nicht herabfallen kann.

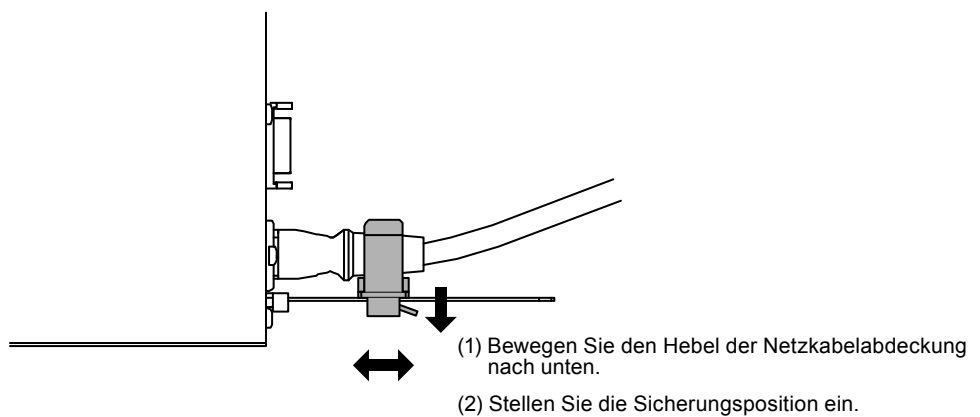
Beachte

- Achten Sie darauf, die Netzkabelabdeckung anzubringen, solange das Hauptnetz des Netzteils ausgeschaltet ist oder bevor das Netzkabel in die Steckdose gesteckt wird.

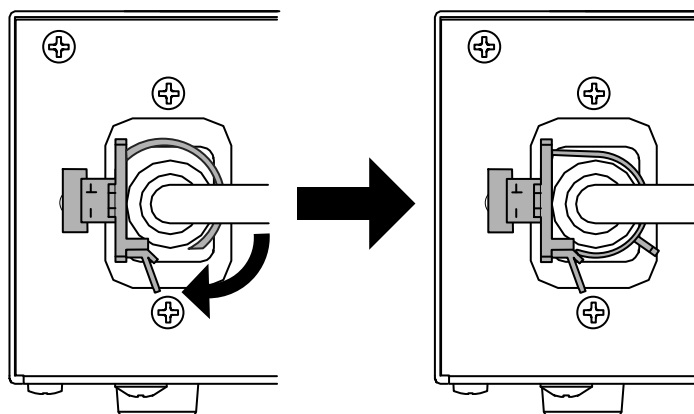
- 1. Befestigen Sie die mitgelieferte Netzkabelabdeckung an der Öffnung zur Befestigung des Netzkabels am Netzteil.**



- 2. Stellen Sie die Position gemäß der nachstehenden Abbildung ein, um die Netzkabelabdeckung zu sichern.**



- 3. Sichern Sie die Netzkabelabdeckung, damit das Netzkabel nicht herabfallen kann.**



*Prüfen Sie, ob die Netzkabelabdeckung gesichert ist.

Anzeigen von Bildschirmen

1. Schalten Sie das Netzteil-Hauptnetz ein.

-: Ein, ○: Aus

2. Drücken Sie , um den Monitor einzuschalten.

Die Netzkontroll-LED des Monitors leuchtet auf (grün).

3. Schalten Sie den Computer ein.

Das Bildschirmbild erscheint.

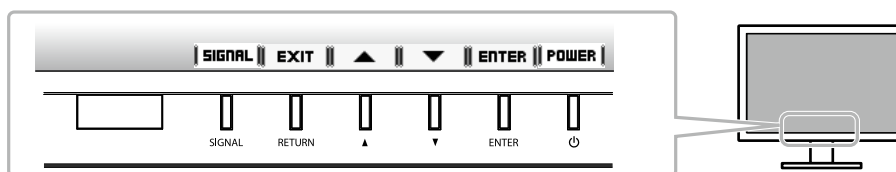
Falls kein Bild erscheint, siehe „Kein Bild“ (Seite 10) für mehr Information.

Beachte

- Schalten Sie Computer und Monitor aus, wenn Sie sie nicht mehr benötigen.
- Für maximales Energiesparen empfiehlt es sich, auch den Netzschalter auszuschalten. Durch Ausschalten des Hauptnetz-Schalters des Netzteils oder durch Abtrennen des Netzkabels wird die Stromzufuhr des Monitors vollständig unterbrochen.

Anzeigen der Tastenführung

Drücken Sie die Tasten an der Vorderseite (außer Taste ). Die Tastenführung wird über der Taste angezeigt.


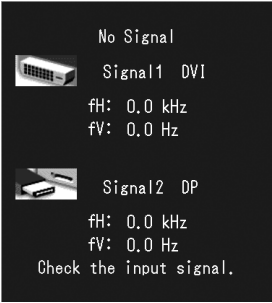
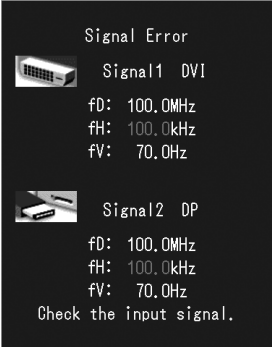


Hinweis

- Die Tastenführung erscheint weiterhin, während das Justiermenü angezeigt wird.
- Die Tastenführung wird je nach ausgewähltem Menü oder Status unterschiedlich angezeigt.

Kein Bild

Besteht ein Problem auch nach Anwendung aller angegebenen Lösungen, wenden Sie sich an einen Fachhändler in Ihrer Nähe.









| Problem | Mögliche Ursache und Lösung |
|---|--|
| <p>1. Kein Bild</p> <ul style="list-style-type: none"> Die Netzkontroll-LED leuchtet nicht. Die Netzkontroll-LED leuchtet grün. Die Netzkontroll-LED leuchtet orange. Die Netzkontroll-LED blinkt orange und grün. | <ul style="list-style-type: none"> Prüfen Sie, ob das Netzkabel und das Netzkabel des Netzteils ordnungsgemäß angeschlossen sind. Schalten Sie den Hauptnetz-Schalter des Netzteils ein. Drücken Sie . Schalten Sie das Hauptnetz des Netzteils aus und einige Minuten später wieder ein. Erhöhen Sie im Justiermenü die Werte für „Helligkeit“, „Kontrast“ oder „Gain-Einstellung“. Wechseln Sie das Eingangssignal mit SIGNAL. Bedienen Sie die Maus oder die Tastatur. Prüfen Sie, ob der Computer eingeschaltet ist. Wenn der EcoView Sense-Sensor auf einen Wert zwischen „Stufe-1“ und „Stufe-4“ eingestellt ist, hat der Monitor möglicherweise in den Energiesparmodus gewechselt. Kommen Sie nahe an den Monitor heran. Mit dem Gerät, das die DisplayPort-Verbindung verwendet, besteht ein Problem. Beheben Sie das Problem, schalten Sie den Monitor aus und dann wieder ein. Weitere Details finden Sie im Benutzerhandbuch des Geräts, das mit DisplayPort verbunden ist. |
| <p>2. Die nachstehende Meldung wird eingeblendet.</p> <ul style="list-style-type: none"> Diese Meldung wird eingeblendet, wenn kein Signal eingespeist wird. Beispiel:  <ul style="list-style-type: none"> Diese Meldung zeigt an, dass sich das Eingangssignal außerhalb des angegebenen Frequenzbereichs befindet. (Diese Signalfrequenz wird in Magenta angezeigt.) Beispiel:  <p>fD: Punktfrequenz fH: Horizontale Abtastfrequenz fV: Vertikale Abtastfrequenz</p> | <p>Diese Meldung wird eingeblendet, wenn das Signal nicht korrekt eingespeist wird, selbst wenn der Monitor ordnungsgemäß funktioniert.</p> <ul style="list-style-type: none"> Die links stehende Meldung wird eventuell eingeblendet, wenn einige PCs das Signal nicht gleich nach dem Einschalten ausgeben. Prüfen Sie, ob der Computer eingeschaltet ist. Prüfen Sie, ob das Signalkabel ordnungsgemäß angeschlossen ist. Wechseln Sie das Eingangssignal mit SIGNAL. Prüfen Sie, ob der PC so konfiguriert ist, dass er die Anforderungen für die Auflösung und vertikale Abtastfrequenz des Monitors erfüllt (siehe „Kompatible Auflösungen“). Starten Sie den PC neu. Wählen Sie mithilfe des zur Grafikkarte gehörenden Dienstprogramms einen geeigneten Anzeigemodus. Weitere Informationen hierzu entnehmen Sie dem Handbuch der Grafikkarte. |

DuraVision® FDH3601

Moniteur couleur LCD

SYMBOLES DE SECURITE

Ce manuel et ce produit utilisent les symboles de sécurité présentés ci-dessous. Ils signalent des informations critiques. Veuillez les lire attentivement.

| AVERTISSEMENT  Le non respect des consignes données dans un message AVERTISSEMENT peut entraîner des blessures sérieuses ou même la mort. | ATTENTION  Le non respect des consignes données dans un message ATTENTION peut entraîner des blessures et/ou des dommages au matériel ou au produit. |
|--|---|
|  | Indique une mise en garde particulière. Par exemple, le symbole  indique les risques de type « choc électrique ». |
|  | Indique une action interdite. Par exemple, le symbole  indique une action particulière interdite telle que « Ne pas démonter ». |
|  | Indique une action obligatoire à suivre. Par exemple, le symbole  indique une interdiction générale telle que « Relier l'appareil à la terre ». |

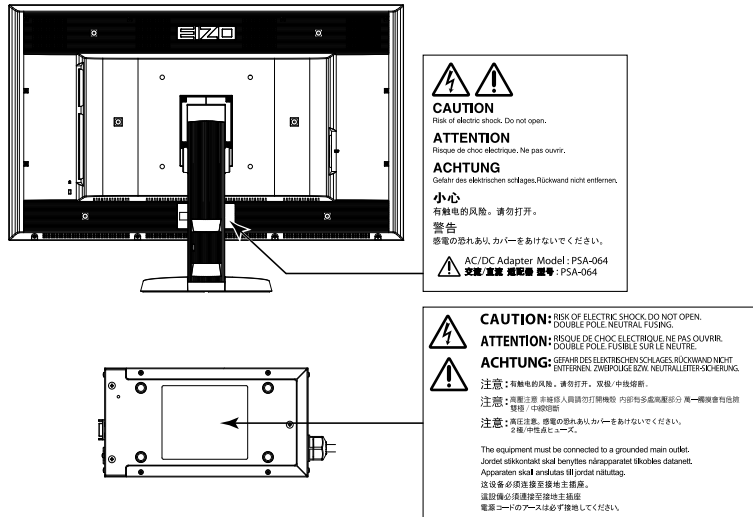
Aucune partie de ce manuel ne peut être reproduite, enregistrée dans un système documentaire ou transmise sous quelque forme et par quelque moyen que ce soit électronique, mécanique ou autre, sans l'autorisation écrite préalable de EIZO Corporation. EIZO Corporation n'est tenu à aucun engagement de confidentialité sauf en cas d'accord préalable passé avant la réception de ces informations par EIZO Corporation. Malgré tous les efforts déployés pour garantir la mise à jour des informations contenues dans ce manuel, veuillez noter que les caractéristiques techniques du moniteur EIZO sont sujettes à modification sans préavis.

⚠ PRECAUTIONS

● IMPORTANT

- Pour votre sécurité comme pour la bonne utilisation de l'appareil, veuillez lire attentivement cette section ainsi que les indications de sécurité portées sur le moniteur.

Emplacements des étiquettes de sécurité



⚠ AVERTISSEMENT

Si le moniteur fume, sent le brûlé ou émet des bruits anormaux, débranchez immédiatement tous les cordons secteur et prenez contact avec votre revendeur.

Il peut être dangereux d'utiliser un moniteur au fonctionnement défectueux.

Ne démontez pas la carrosserie et ne modifiez pas le moniteur.

Le démontage de la carrosserie ou la modification du moniteur peut causer un choc électrique ou une brûlure.



Ne tournez pas la douille destinée à fixer le câble d'alimentation de l'adaptateur secteur.

Sinon, cela pourrait provoquer un incendie, un choc électrique ou des dommages à l'équipement.



Confiez toute intervention à un technicien qualifié.

Ne tentez pas de dépanner vous-même cet appareil, l'ouverture ou la dépose des capots vous expose à un risque d'incendie, de choc électrique ou de dégâts à l'appareil.

Eloignez les petits objets ou les liquides de l'appareil.

L'introduction accidentelle de petits objets ou de liquide dans les fentes de ventilation de la carrosserie peut entraîner un choc électrique, un incendie ou des dégâts à l'appareil.

Si un objet tombe dans la carrosserie ou si du liquide se répand sur ou à l'intérieur de l'appareil, débranchez immédiatement le cordon secteur. Faites contrôler l'appareil par un technicien qualifié avant de l'utiliser à nouveau.



Placez le moniteur sur une surface stable et robuste.

Il y a risque de chute de l'appareil sur une surface inappropriée, qui pourrait entraîner des blessures ou endommager l'appareil.

En cas de chute, débranchez immédiatement le cordon secteur et faites contrôler l'appareil par un technicien qualifié avant de l'utiliser à nouveau. Toute utilisation de l'appareil après une chute peut entraîner un incendie ou un choc électrique.





AVERTISSEMENT

Utilisez l'appareil dans un endroit approprié.

Il y a des risques de dégâts à l'appareil, d'incendie ou de choc électrique.

- Ne pas utiliser à l'extérieur.
- Ne pas utiliser dans des moyens de transport (bateau, avion, trains, automobiles, etc.) où il pourrait subir des vibrations ou des chocs intenses.
- Ne pas installer l'appareil dans un environnement poussiéreux ou humide.
- Ne pas placer dans un lieu où de l'eau peut être projetée sur l'écran (salle de bains, cuisine, etc.).
- Ne pas installer l'appareil à un endroit exposé directement à la vapeur d'eau.
- Ne pas placer l'appareil près des appareils de chauffage ou d'humidification.
- Ne pas placer à un endroit où le produit est soumis à la lumière directe du soleil.
- Ne placez pas l'appareil dans un environnement contenant des gaz inflammables.



Gardez les sacs plastique d'emballage hors de portée des enfants pour éviter tout risque d'étouffement.

Utilisez l'adaptateur secteur fourni.

L'adaptateur secteur (PSA-064) fourni est destiné à être utilisé exclusivement avec ce produit. N'utilisez pas l'adaptateur secteur avec un autre équipement. Le fait de raccorder l'adaptateur secteur à des sources d'alimentation qui ne correspondent pas à la puissance nominale de ce dernier peut entraîner un incendie ou un choc électrique.

Utilisez le cordon secteur fourni pour le branchement sur la prise secteur standard dans votre pays.

Vérifiez la tension d'épreuve du cordon secteur. Tout autre branchement peut présenter des risques d'incendie ou de choc électrique.

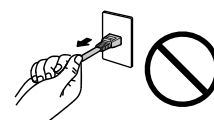
Alimentation : 100-240 VCA 50/60 Hz

Pour débrancher le cordon d'alimentation ou le câble d'alimentation de l'adaptateur, saisissez fermement la fiche et tirez.

Le fait de tirer sur le cordon ou le câble peut les endommager et entraîner un incendie ou un choc électrique.



OK



L'appareil doit être relié à une prise avec terre.

Le non-respect de ces consignes peut présenter des risques d'incendie ou de choc électrique.



Utilisez la tension correcte.

- L'appareil a été conçu pour une utilisation avec une tension de secteur particulière. L'utilisation sur une tension différente de celle spécifiée dans ce manuel pourrait causer un choc électrique, un incendie ou d'autres dégâts.

Alimentation : 100-240 VCA 50/60 Hz

- Ne surchargez pas les circuits d'alimentation électrique, cela pourrait entraîner un incendie ou un choc électrique.

Manipulez le cordon d'alimentation et l'adaptateur secteur avec précaution.

Ne placez pas d'objets lourds sur le cordon d'alimentation et l'adaptateur secteur, ne tirez pas dessus et ne faites pas de nœuds. L'utilisation d'un cordon ou d'un adaptateur secteur endommagés peut causer un incendie ou un choc électrique.



Ne touchez jamais la fiche, l'adaptateur secteur ou le cordon d'alimentation pendant un orage.

Vous risqueriez un choc électrique.



Pour fixer un bras de support, consultez le manuel d'utilisation du bras pour installer correctement le moniteur.

Un mauvais montage pourrait se traduire par une séparation de l'appareil qui pourrait l'endommager ou causer une blessure. En cas de chute de l'appareil, demandez conseil à votre revendeur avant de l'utiliser à nouveau. Toute utilisation de l'appareil après une chute peut entraîner un incendie ou un choc électrique.

Pour refixer le socle inclinable, utilisez les mêmes vis et serrez-les correctement.

Ne touchez pas un panneau LCD endommagé à mains nues.

Les cristaux liquides qui peuvent s'écouler du panneau sont toxiques par contact avec les yeux ou la bouche.

En cas de contact de la peau ou du corps avec le panneau, lavez immédiatement à grande eau.

En cas de symptôme anormal ou de malaise, veuillez consulter votre médecin.



Les voyants de rétroéclairage fluorescent contiennent du mercure (les produits équipés de voyants de rétroéclairage avec DEL ne contiennent pas de mercure). Jetez-les conformément aux réglementations locales ou nationales en vigueur.

ATTENTION

Procédez avec précaution pour transporter l'appareil.

Débranchez les câbles et cordon secteur avant de déplacer l'appareil. Il est dangereux de déplacer l'appareil avec son cordon branché. Vous risquez de vous blesser.

Transportez ou placez l'appareil selon la procédure spécifiée pour une utilisation correcte de l'appareil.

- Lors du transport de l'appareil, maintenez-le fermement, comme illustré ci-dessous.
- L'appareil ne doit pas être transporté ou ôté de son emballage par une seule personne étant donné la taille et le poids de l'appareil.

Une chute de l'appareil pourrait l'endommager ou causer des blessures.



N'obstruez pas les fentes de ventilation de la carrosserie.

- Ne placez jamais d'objets sur les fentes de ventilation.
- N'installez pas le moniteur dans un espace confiné.
- N'utilisez pas le moniteur couché sur le côté ni à l'envers.



Toutes ces utilisations risquent d'obstruer les fentes de ventilation, d'empêcher une circulation d'air normale ou d'entraîner un incendie ou d'autres dégâts.

Ne touchez pas la fiche d'alimentation ou l'adaptateur secteur avec les mains mouillées.

Tout contact avec la fiche électrique les mains humides peut être dangereux et peut causer un choc électrique.



Utilisez une prise électrique facilement accessible.

Ceci vous permettra de débrancher rapidement l'appareil en cas de problème.

Gardez à l'esprit que l'adaptateur secteur devient chaud pendant son utilisation.

- Ne couvrez pas l'adaptateur secteur et ne posez rien dessus. Ne placez pas l'adaptateur secteur sur des objets susceptibles d'emprisonner la chaleur tels que des tapis, couvertures, etc. Conservez l'adaptateur secteur à distance des rayons directs du soleil et des sources de chaleur telles que les radiateurs. Sinon, cela pourrait causer un incendie.
- Ne le touchez pas à mains nues. Vous risqueriez de vous brûler.
- Avant tout déplacement de l'adaptateur secteur, veillez à couper l'interrupteur d'alimentation, débranchez la fiche d'alimentation de la prise secteur et attendez qu'il ait complètement refroidi.

Ne suspendez pas l'adaptateur secteur en l'air.

Le fait de l'utiliser alors qu'il est suspendu en l'air peut causer un incendie ou un choc électrique.



Nettoyez périodiquement la zone située autour de la fiche d'alimentation et de la fente de ventilation de l'adaptateur secteur.

L'accumulation de poussière, d'eau ou d'huile sur la fiche peut entraîner un incendie.

Débranchez le moniteur avant de le nettoyer.

Le nettoyage du moniteur sous tension peut causer un choc électrique.

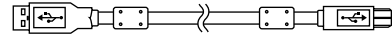
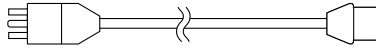
Si l'appareil ne doit plus être utilisé pendant un certain temps, débranchez le cordon d'alimentation de la prise murale après avoir mis l'appareil hors tension, par sécurité et pour éviter toute consommation électrique.

Contenu de l'emballage

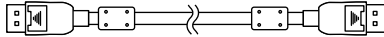
Vérifiez que tous les éléments indiqués ci-dessous sont inclus dans le carton d'emballage. Contactez votre revendeur local si l'un des éléments est manquant ou endommagé.

Remarque

- Veuillez conserver le carton et les matériaux d'emballage pour les réutiliser lors d'un déplacement ultérieur du moniteur.
 - Moniteur
 - Câble USB EIZO : MD-C93
- Cordon d'alimentation

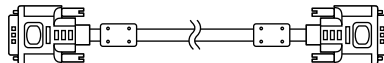


- Câble de signal numérique (DisplayPort) : PP200 × 2 pièces



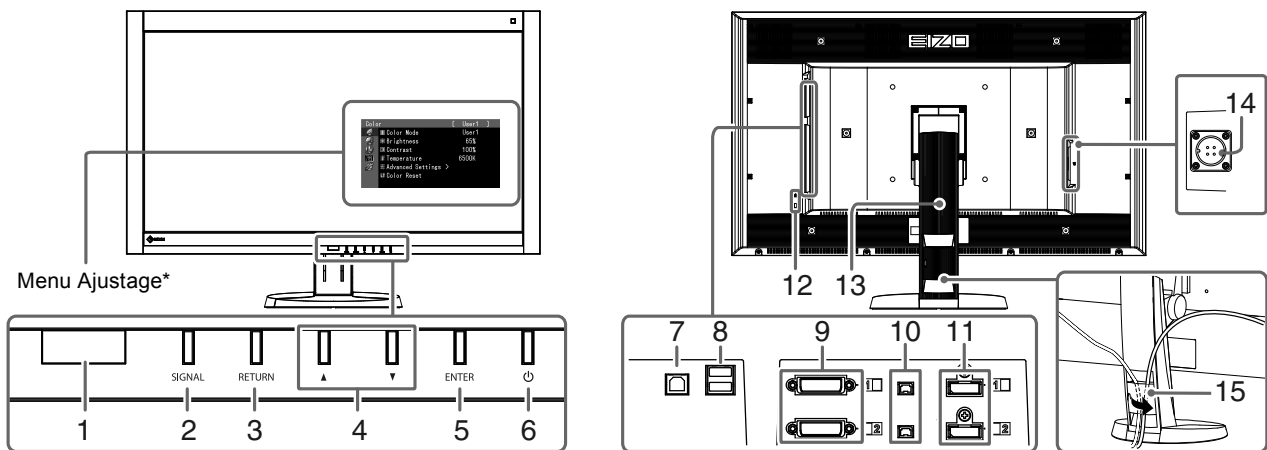
- Adaptateur secteur (PSA-064)
- EIZO LCD Utility Disk (CD-ROM)
- Manuel d'installation (ce manuel)
- Vis de montage VESA : M6 × 16 : 4 pièces
- Support pour cordon d'alimentation
- Informations sur le recyclage

- Câble de signal numérique (Dual Link) : DD200-DL × 2 pièces



Commandes et fonctions

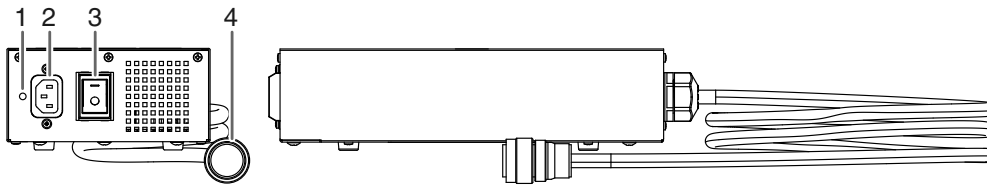
Moniteur



| | |
|---|--|
| 1. Capteur EcoView Sense | Détecte les mouvements d'une personne se trouvant devant le moniteur. |
| 2. Touche SIGNAL | Commute les signaux d'entrée de l'affichage. |
| 3. Touche RETURN | Pour annuler le réglage/ajustage et quitter le menu Ajustage. |
| 4. Touche ▲▼ | Permet de choisir et d'augmenter/diminuer les réglages des ajustages avancés au moyen du menu Ajustage. |
| 5. Touche ENTER | Pour afficher le menu Ajustage, pour sélectionner un élément de l'écran de menu et sauvegarder les valeurs ajustées. |
| 6. Touche ⏻ | <ul style="list-style-type: none"> • Pour mettre sous/hors tension. • Indique l'état de fonctionnement du moniteur. Vert : en marche, Orange : mode d'économie d'énergie, Arrêt : alimentation/arrêt de l'adaptateur secteur |
| 7. Port USB (amont) | Permet de brancher un câble USB lors de l'utilisation de la fonction de concentrateur USB. |
| 8. Port USB (aval) | Permet de brancher un périphérique USB. |
| 9. Connecteur de signal d'entrée | Connecteur DVI-D |
| 10. DC5V Output | Permet d'alimenter les dispositifs externes en électricité. |
| 11. Connecteur de signal d'entrée | Connecteur DisplayPort |
| 12. Fente pour le verrouillage de sécurité | Compatible avec le système de sécurité MicroSaver de Kensington. |
| 13. Pied | Permet d'ajuster la hauteur et l'angle de l'écran du moniteur. |
| 14. Connecteur d'alimentation | Utilisé pour brancher le câble d'alimentation de l'adaptateur secteur. |
| 15. Enveloppe de câbles | Protège les câbles du moniteur. |

* Reportez-vous au Manuel d'utilisation (sur le CD-ROM) pour obtenir des instructions d'utilisation.

Adaptateur secteur (PSA-064)



| | |
|---|--|
| 1. Orifice de fixation du support pour cordon d'alimentation | Utilisé pour fixer le support pour cordon d'alimentation. |
| 2. Connecteur d'alimentation | Permet de connecter le cordon d'alimentation. |
| 3. Commutateur d'alimentation principal | Permet de mettre le moniteur sous/hors tension. |
| 4. Câble d'alimentation | À brancher au connecteur d'alimentation situé sur le moniteur. |

Branchement des câbles

Attention

- Vérifiez que le moniteur et le PC sont hors tension.
- Lorsque vous remplacez le moniteur actuel par ce moniteur, veillez à modifier les réglages de votre ordinateur en fonction de la résolution et de la fréquence de balayage vertical propres à ce moniteur. Reportez-vous au tableau des résolutions compatibles (rétro de la page de couverture) avant de brancher l'ordinateur.

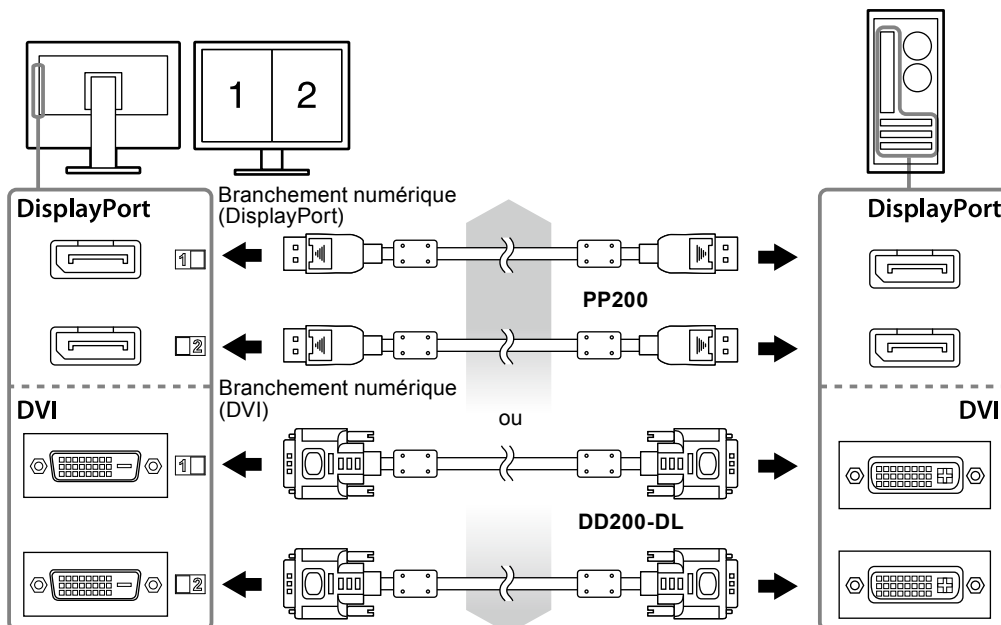
Remarque

- Pour brancher plusieurs PC à ce produit, reportez-vous au Manuel d'utilisation (sur le CD-ROM).

1. Branchez les câbles de signal aux connecteurs signal d'entrée et au PC.

Vérifiez la forme des connecteurs et branchez les câbles.

Une fois que les câbles de signal sont branchés, serrez les vis des connecteurs pour assurer le couplage.



2. Branchez le câble d'alimentation de l'adaptateur au connecteur d'alimentation situé sur le moniteur.

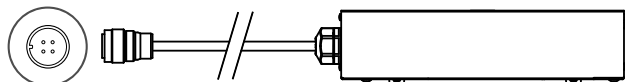
Attention

- Ne retirez et ne branchez pas le câble alors que l'alimentation principale de l'adaptateur secteur est activée.
- N'installez pas l'adaptateur secteur dans le mauvais sens. Le côté comportant le logo EIZO doit être orienté vers le haut.

Vérifiez la forme du connecteur du moniteur et branchez le câble d'alimentation.

Serrez la vis destinée à fixer le câble d'alimentation afin de sécuriser ce dernier.

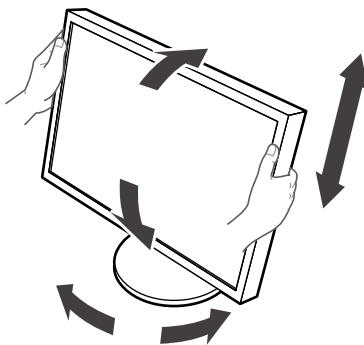
Connexion au moniteur



3. Branchez le cordon d'alimentation dans une prise secteur et le connecteur d'alimentation sur l'adaptateur secteur.

Ajustage de la hauteur et de l'angle de l'écran

Placez vos mains des deux côtés du moniteur et réglez la hauteur, l'inclinaison et le pivotement de l'écran dans une position agréable et confortable pour travailler.



Attention

- Vérifiez que les câbles sont correctement branchés.

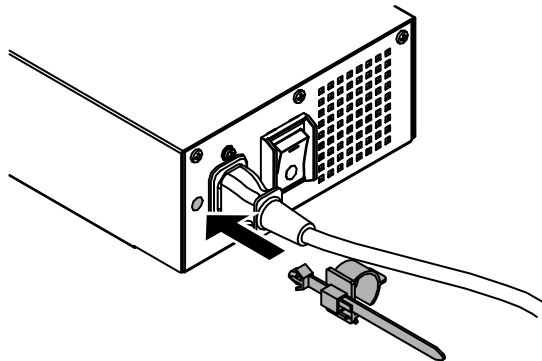
Fixation d'un support pour cordon d'alimentation

Fixez le support pour cordon d'alimentation afin d'éviter que le cordon d'alimentation ne tombe.

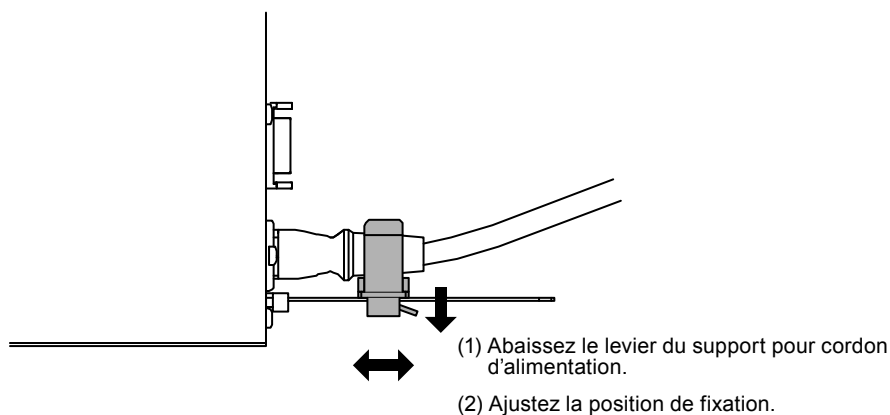
Attention

- Veillez à fixer le support pour cordon d'alimentation lorsque l'adaptateur secteur est hors tension ou bien avant de brancher le câble d'alimentation dans la prise secteur.

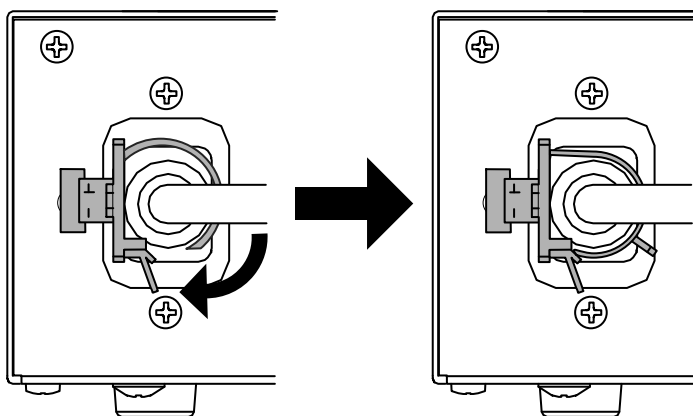
1. Fixez le support pour cordon d'alimentation à l'orifice de fixation de cordon d'alimentation situé sur l'adaptateur secteur.



2. Ajustez la position pour bien fixer le support pour cordon d'alimentation en vous référant à la figure ci-dessous.



3. Fixez bien le support pour cordon d'alimentation afin d'éviter que le cordon d'alimentation ne tombe.



*Vérifiez que le support pour cordon d'alimentation est bien fixé.

Afficher les écrans

1. Activez l'alimentation principale de l'adaptateur secteur.

-: On, ○: Off

2. Appuyez sur pour mettre le moniteur sous tension.

Le témoin de fonctionnement du moniteur s'éclaire en vert.

3. Mettez le PC sous tension.


L'image affichée à l'écran apparaît.

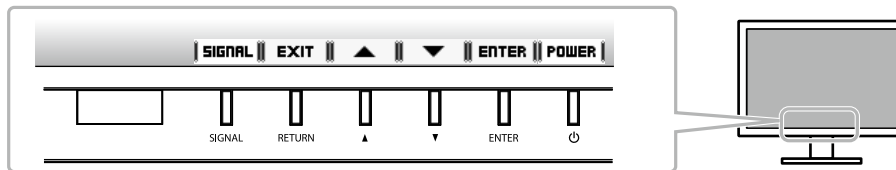
Si une image n'apparaît pas, reportez-vous à la section « Aucune image » (page 10) pour savoir comment procéder.

Attention

- Mettez le moniteur et le PC hors tension lorsque vous ne les utilisez plus.
- Pour une économie d'énergie maximale, il est recommandé que la touche d'alimentation soit éteinte. L'alimentation du moniteur est coupée lorsque vous débranchez le cordon d'alimentation ou lorsque vous désactivez le commutateur d'alimentation principal de l'adaptateur secteur.

Affichage du Guide Touches

Appuyez sur les touches situées à l'avant (à l'exception de la touche ). Le Guide Touches apparaît au dessus de la touche.


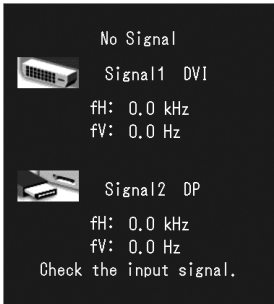
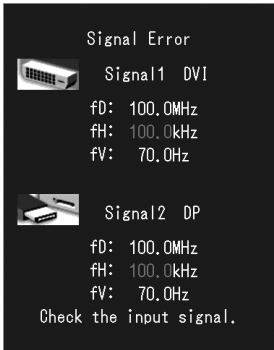


Remarque

- Le guide touches s'affichera pendant que le menu Ajustage est montré.
- Le guide touche s'affiche différemment en fonction du menu ou de l'état sélectionné.

Aucune image

Si un problème persiste après application des corrections proposées, veuillez prendre contact avec votre revendeur local.

| Problème | Cause possible et solution |
|--|---|
| <p>1. Aucune image</p> <ul style="list-style-type: none"> Le témoin de fonctionnement ne s'allume pas. <hr/> <ul style="list-style-type: none"> Le témoin de fonctionnement s'allume en vert. <hr/> <ul style="list-style-type: none"> Le témoin de fonctionnement s'allume en orange. <hr/> <ul style="list-style-type: none"> Le témoin de fonctionnement clignote en orange et vert. | <ul style="list-style-type: none"> Vérifiez que le cordon d'alimentation et le câble d'alimentation de l'adaptateur sont correctement branchés. Activez le commutateur d'alimentation principal de l'adaptateur secteur. Appuyez sur . Coupez l'alimentation de l'adaptateur secteur, puis rétablissez-la quelques minutes plus tard. <hr/> <ul style="list-style-type: none"> Augmentez les valeurs de « Luminosité », « Contraste » ou « Gain » dans le menu Ajustage. Changez le signal d'entrée en appuyant sur SIGNAL. Appuyez sur une touche du clavier ou faites bouger la souris. Vérifiez si l'ordinateur est sous tension. Lorsque la fonction Capteur EcoView Sense est réglée sur une valeur de « Niveau-1 » à « Niveau-4 », il se peut que le moniteur entre en mode d'économie d'énergie. Approchez-vous du moniteur. <hr/> <ul style="list-style-type: none"> Le périphérique qui utilise la connexion DisplayPort a rencontré un problème. Résolez le problème, éteignez le moniteur, puis allumez-le de nouveau. Pour plus d'informations, reportez-vous au guide du périphérique raccordé au DisplayPort. |
| <p>2. Le message ci-dessous s'affiche.</p> <ul style="list-style-type: none"> Ce message s'affiche si aucun signal n'entre. Exemple : <div data-bbox="333 1176 608 1478" data-label="Image">  </div> <ul style="list-style-type: none"> Le message indique que le signal d'entrée est en dehors de la bande de fréquence spécifiée. (Cette fréquence de signal s'affiche en magenta.) Exemple : <div data-bbox="333 1650 608 1998" data-label="Image">  </div> <p>fD : Fréquence de point fH : Fréquence de balayage horizontal fV : Fréquence de balayage vertical</p> | <p>Ce message s'affiche lorsque le signal n'entre pas correctement, même si le moniteur fonctionne correctement.</p> <ul style="list-style-type: none"> Le message illustré à gauche risque de s'afficher, étant donné que certains ordinateurs n'émettent pas de signal dès leur mise sous tension. Vérifiez si l'ordinateur est sous tension. Vérifiez que le câble de signal est correctement branché. Changez le signal d'entrée en appuyant sur SIGNAL. <hr/> <ul style="list-style-type: none"> Vérifiez que l'ordinateur est configuré de façon à correspondre aux besoins du moniteur en matière de résolution et de fréquence de balayage vertical (voir « Résolutions compatibles »). Redémarrez l'ordinateur. Sélectionnez un mode d'affichage approprié à l'aide de l'utilitaire de la carte vidéo. Consultez le manuel de la carte vidéo pour plus d'informations. |

DuraVision® FDH3601

彩色液晶显示器

安全符号

本文档和本产品使用以下安全符号。这些符号表示重要信息。请仔细阅读这些信息。

| | | | |
|---|---|---|---|
|  | 警告 若不遵守“警告”中的信息，可能会造成严重伤害或威胁到生命安全。 |  | 注意 若不遵守“注意”中的信息，可能会造成中度伤害并/或使财产或产品受损。 |
|  | 表示需要注意的事项。例如，图示符号  表示“触电危险”等类型的风险。 | | |
|  | 表示禁止的动作。例如，图示符号  表示“禁止拆卸”等特别禁止的操作。 | | |
|  | 表示必须遵照执行的命令动作。例如，图示符号  表示“接地装置”等一般禁止的告知事项。 | | |

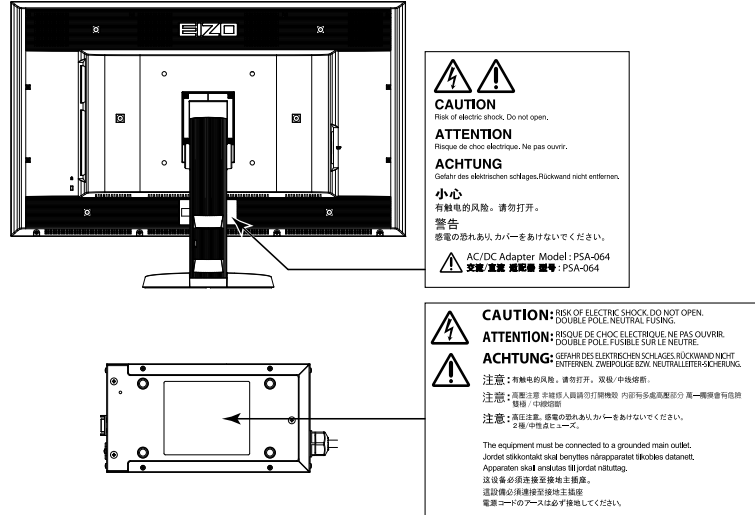
未经EIZO Corporation事先书面许可，不得以任何形式或以任何方式（电子、机械或其它方式）复制本手册的任何部分、或者将其存放到检索系统中或进行发送。EIZO Corporation没有义务为任何已提交的材料或信息保密，除非已经依照EIZO Corporation书面接收的或口头告知的信息进行了事先商议。尽管本公司已经尽最大努力使本手册提供最新信息，但是请注意，EIZO显示器规格仍会进行变更，恕不另行通知。

⚠ 预防措施

● 重要

- 为了确保人员安全和正确维护, 请仔细阅读本节内容以及显示器上显示的注意事项。

警告声明的位置



⚠ 警告

若机器出现烟雾, 闻起来像是东西着火, 或者有奇怪声音, 请立刻断开所有电源, 并联络经销商以寻求建议。尝试使用功能异常的机器可能会造成火灾、电击或设备受损。

切勿打开机壳或改装设备。

打开机壳或改装设备可能会导致火灾、触电或灼伤。



请勿旋转套管固定AC适配器电源电缆。

不遵守上述指示可能会造成火灾、电击或设备受损。



请委托合格的维修人员进行各种维修。

切勿试图自行维修本产品, 因为打开或取下机盖可能会导致火灾、触电或设备损坏。

请将小东西或液体放置在远离设备的地方。

如果小东西通过通风孔意外掉入设备或液体意外流入设备, 则可能导致火灾、触电或设备损坏。如果物体或液体掉入/流入设备, 请立即拔出设备插头。重新使用设备以前, 请委托合格的维修工程师对其进行检查。



将设备安置在坚固稳定的地方。

如果设备放在不恰当的平面上, 则设备可能会跌落并导致人身伤害或设备损坏。

如果设备跌落, 请立即切断电源并咨询您的经销商。切勿继续使用已损坏的设备。使用已损坏的设备可能会导致火灾或触电。





警告

请在适宜的场合使用本设备。

否则可能会导致火灾、触电或设备损坏。

- 切勿放在室外。
- 不要放置于可能受强烈振动或冲击影响的运输系统中（船舶、航空、火车、汽车等）。
- 切勿放置在多尘或潮湿的场所。
- 禁止将设备放置在水滴可溅到屏幕的位置（浴室、厨房等）。
- 切勿放置在蒸汽会直接接触屏幕的场所。
- 切勿放置在供暖设备或增湿器附近。
- 禁止将设备放置在阳光可直射本产品的位置上。
- 请勿放于有易燃气体的环境中。



为避免出现窒息的危险，请将塑料包装袋放在远离婴儿和儿童的地方。

使用内附AC适配器。

该封入式AC适配器（PSA-064）仅用于该产品。不要在其他设备中使用AC适配器。连接至不符合AC适配器额定功率的电源，可能会导致火灾或触电。

使用内附电源线，并连接当地的标准电源插座。

确保电源电压在电源线的额定电压范围内。否则可能会造成火灾或电击。

电源：100-240 V AC 50/60Hz

若要断开电源线或适配器电源线，请抓紧插头并拔出。

拉扯电源线或电缆可能会使其受损，从而导致火灾或电击。



设备必须连接到接地的电源插座。

否则可能引起火灾或触电。



请使用正确的电压。

- 本设备只能在特定电压下使用。若将设备连接到本用户手册中指定的电压以外的电压时，可能会导致火灾、触电或设备损坏。
电源：100-240 V AC 50/60Hz
- 切勿使电路超载，否则可能会导致火灾或触电。

请小心使用电源线和AC适配器。

切勿在电源线或AC适配器上放重物，也不要拉扯或捆扎电源线或AC适配器。使用破损的电源线或AC适配器，可能会导致火灾或触电。



打雷时，绝对不要触摸插头、AC适配器或电源线。

否则可能会导致触电。



安装悬挂臂时，请参阅悬挂臂的用户手册，并牢固安装设备。

否则可能会导致设备与悬挂臂脱离，从而可能造成人身伤害或设备损坏。如果设备跌落，请咨询您的经销商。切勿继续使用已损坏的设备。使用已损坏的设备可能会导致火灾或触电。

重新安装倾斜底座时，请使用相同的螺丝并进行紧固。

切勿直接光着手触摸已损坏的液晶显示屏。

显示屏可能会有液晶流出，如果进入眼睛或口中，则将对人体造成危害。

如果皮肤或人体的任何部位与显示屏直接接触，请彻底清洗该处。

如果出现不良症状，请向医生咨询。



荧光背光灯中包含汞（采用LED背光灯的产品中不含汞），请依照当地法规进行废弃处理。

注意

搬动设备时，请务必小心。

移动设备时，请断开电源线和电缆。在电源线保持连接时移动设备是非常危险的。因为这样可能会导致人身伤害。

请按照规定的正确方法搬运或放置本装置。

- 搬运本装置时，请如下图所示抓紧装置。
- 由于本装置体积、重量较大，因此请勿单人打开包装或搬运。

设备跌落可能会造成人身伤害或设备损坏。



切勿堵塞机壳的通风孔。

- 切勿在通风孔上放置任何物体。
- 切勿将设备安装到封闭空间中。
- 切勿在设备平放或上下颠倒时使用。



通风孔堵塞会造成空气流通不畅，从而可能会导致火灾、触电或设备损坏。

切勿用湿手触摸电源插头或AC适配器。

否则可能会导致触电。



请使用易于接近的电源插座。

这样可确保在出现问题时快速切断电源。

AC适配器在使用过程中变热，请注意！

- 切勿在AC适配器顶部覆盖或放置任何物品。切勿将AC适配器放置于例如地毯、毛毯等聚热的物品上。使AC适配器远离太阳直射以及加热器等热源。否则可能会导致火灾。
- 切勿空手触摸。可能会导致烫伤。
- 在移动AC适配器之前，请确保关闭电源开关，从电源插座上断开插头，并等待其完全冷却。

切勿将AC适配器悬挂在半空。

悬挂在半空使用可能会导致火灾或触电。



定期清洁电源插头和AC适配器通风槽附近的区域。

插头上的灰尘、水或油可能会导致火灾。

设备清洁以前，请先将插头拔出。

与电源插座相连时清洁设备可能会导致触电。

如果计划长期不使用本装置，为了安全和节电，请在关闭电源后拔掉电源插头。

打包内容

请检查包装盒中是否包含下列物品。如果缺少物品，或物品存在损坏现象，请与您当地的经销商联系。

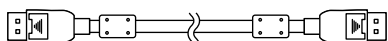
注

• 请保留好包装盒和包装材料，以便将来显示器移动或搬运时使用。

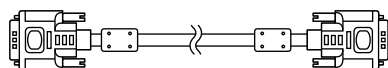
- 显示器
- 电源线
- AC适配器 (PSA-064)
- EIZO LCD Utility Disk (CD-ROM)
- 设定手册 (本手册)
- VESA安装螺钉: M6 × 16: 4个
- 电源线固定器



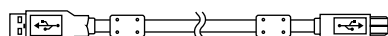
• 数字信号线 (DisplayPort) : PP200 × 2个



• 数字信号线 (Dual Link) : DD200-DL × 2个

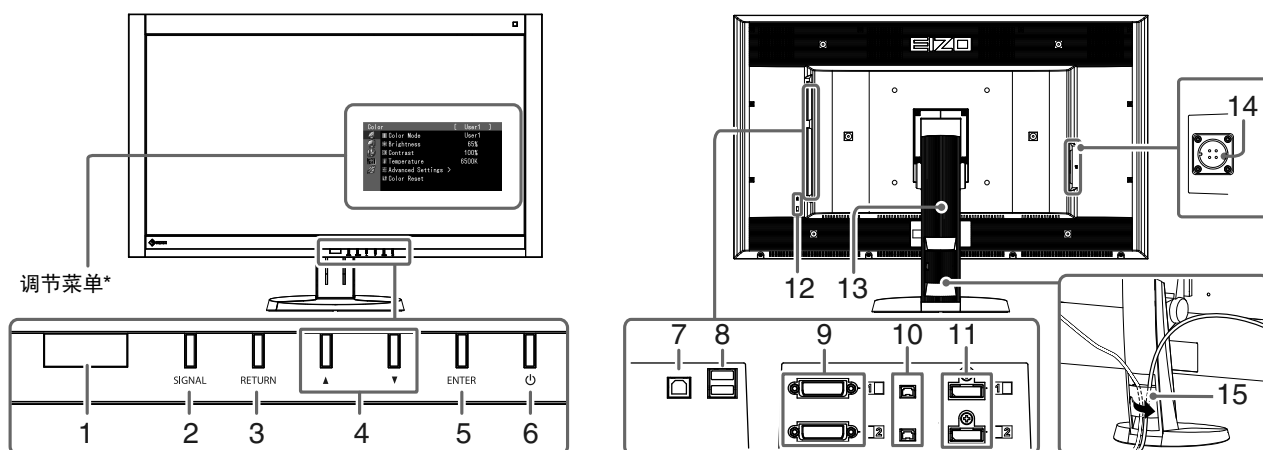


• EIZO USB电缆: MD-C93



控制和功能

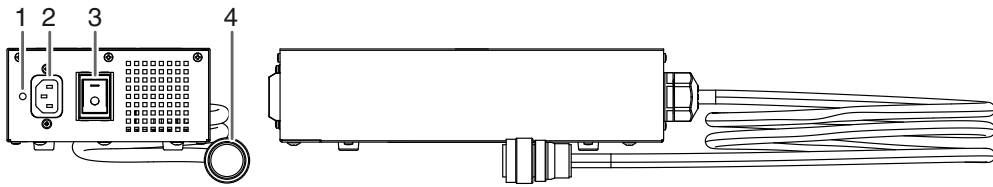
显示器



| | |
|---------------------|---|
| 1. EcoView Sense传感器 | 显示器正面的传感器会检测人的移动。 |
| 2. SIGNAL 按钮 | 切换显示输入信号。 |
| 3. RETURN 按钮 | 取消设定/调节并退出调节菜单。 |
| 4. ▲▼按钮 | 在调节菜单上选择并增大/减小调节设定，进行高级调节。 |
| 5. ENTER 按钮 | 显示调节菜单，确定菜单屏幕上的某个项目，并保存已调节的值。 |
| 6. 电源按钮 | <ul style="list-style-type: none"> • 开关电源。 • 说明显示器工作状态。 绿: 工作, 橙: 省电模式, 关闭: AC适配器主电源/电源关闭 |
| 7. USB端口 (上) | 连接USB电缆以使用USB集线器功能。 |
| 8. USB端口 (下) | 连接外部USB设备。 |
| 9. 输入信号连接器 | DVI-D连接器 |
| 10. DC5V Output | 对外部设备提供电源。 |
| 11. 输入信号连接器 | DisplayPort连接器 |
| 12. 安全锁插槽 | 符合Kensington防盗锁安全系统。 |
| 13. 底座 | 用于调节显示器屏幕的高度和角度。 |
| 14. 电源连接器 | 用于连接AC适配器电源电缆。 |
| 15. 电缆固定器 | 固定显示器电缆。 |

* 关于使用说明，请参照用户手册（在CD-ROM上）。

AC适配器 (PSA-064)



| | |
|--------------|----------------|
| 1. 电源线固定器安装孔 | 用于安装电源线固定器。 |
| 2. 电源连接器 | 连接电源线。 |
| 3. 主电源开关 | 开关主电源。 |
| 4. 电源电缆 | 与显示器上的电源连接器连接。 |

连接电缆

注意

- 确保显示器和个人计算机的电源关闭。
- 将当前的显示器换成该显示器时, 请务必将分辨率和垂直扫描频率等PC设置更改为该显示器可用的设置。连接PC之前, 请参照兼容的分辨率表格 (封页背面)。

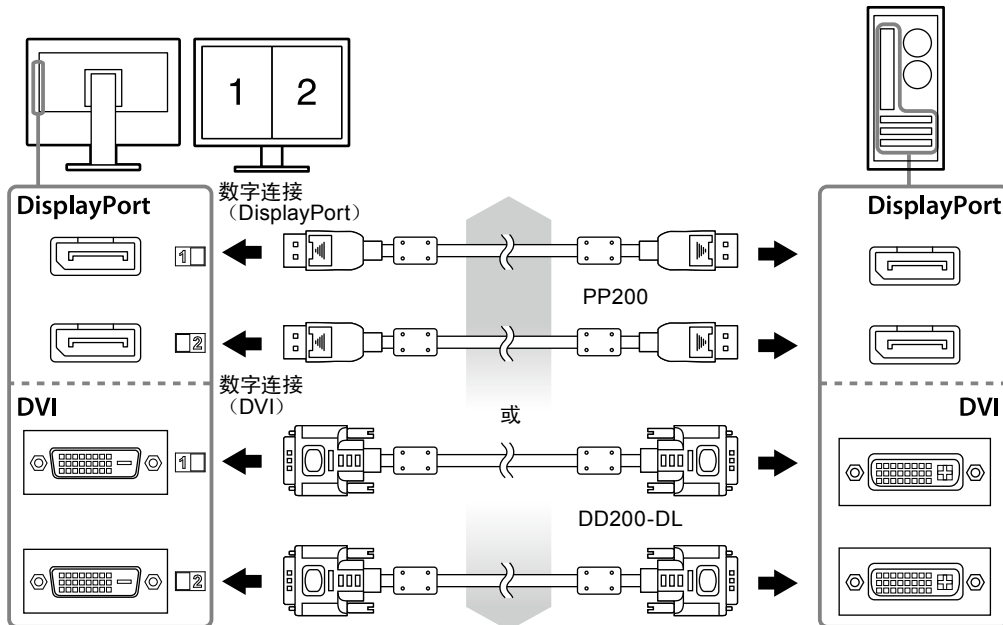
注

- 当多台个人计算机连接到本产品时, 请参照用户手册 (在CD-ROM上)。

1. 将信号线连接至输入信号连接器和PC。

检查连接器的形状, 然后连接电缆。

连接到信号线后, 请拧紧连接器的螺钉, 固定连接。



2. 在显示器上, 将AC适配器电源电缆连接至电源连接器。

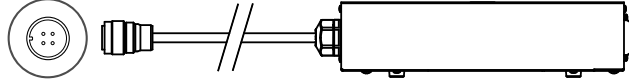
注意

- 请勿在AC适配器主电源接通时, 移动或连接电缆。
- 请勿在错误的方向安装AC适配器。带有EIZO标志的面应该朝上。

检查显示器连接器的形状, 然后连接电源电缆。

请拧紧固定电源电缆的螺钉, 固定电源电缆。

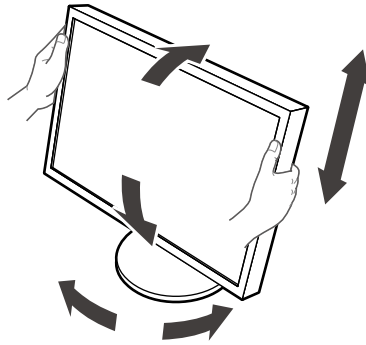
接续到显示器



3. 将电源线插头插入电源插座和AC适配器上的电源连接器。

调整屏幕高度和角度

用双手抓住显示器的左右两边, 调节屏幕高度, 将屏幕倾斜并回转到最佳工作状态。



注意

- 请确认各接线是否正确。

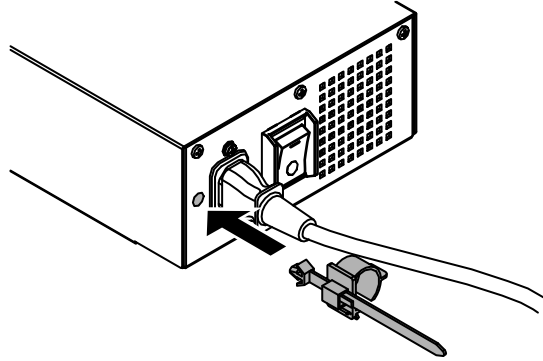
安装电源线固定器

安装电源线固定器以防止电源线掉落。

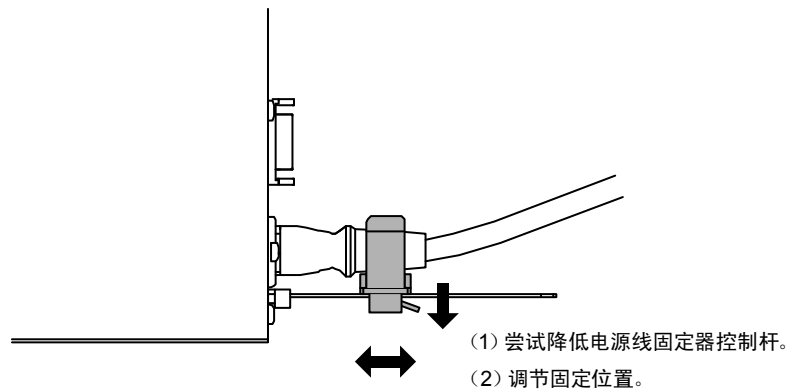
注意

- 请确认在AC适配器主电源关闭时或电源电缆插入电源插座之前，安装电源线固定器。

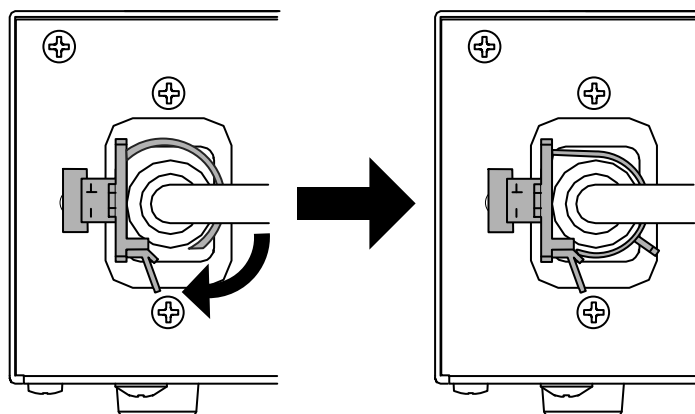
1. 在AC适配器上将随附的电源线固定器安装到电源线安装孔。



2. 请参照下图，调节位置，固定电源线固定器。



3. 固定电源线固定器以防止电源线掉落。



*请检查电源线固定器是否已固定。

正在显示画面

1. 打开AC适配器主电源。

-: 开启, ○: 关闭

2. 按 打开显示器。

显示器电源指示灯亮起绿色。

3. 将个人计算机开机。

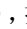
出现画面图像。

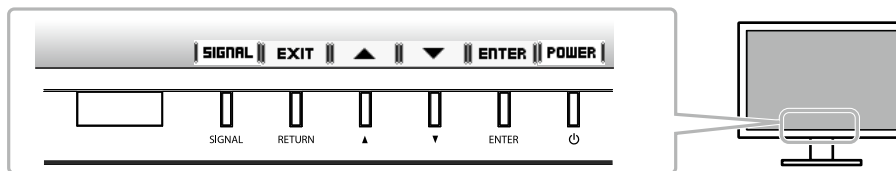
如果未出现图像, 请参照“不显示图像”(第10页) 获得帮助。

注意

- 使用后关闭显示器和个人计算机。
- 为了最大限度地省电, 建议您关闭电源按钮。断开AC适配器主电源开关, 或者拔掉电源线, 彻底断开显示器电源供应。

显示按钮指南

按前按钮 ( 按钮除外), 按钮上方出现按钮指南。




注

- 显示调整菜单时, 持续显示按钮指南。
- 按钮指南的显示因所选菜单或状态而异。

不显示图像

如果在采取建议的措施后仍旧不能解决问题，请联系当地的经销商。

| 问题 | 可能的原因和解决办法 |
|---|--|
| <p>1. 不显示图像</p> <ul style="list-style-type: none"> 电源指示灯不亮。 <hr/> <ul style="list-style-type: none"> 电源指示灯是绿色。 电源指示灯呈橙色。 <hr/> <ul style="list-style-type: none"> 电源指示灯以橙色和绿色闪烁。 | <ul style="list-style-type: none"> 检查电源线与适配器电缆连接是否正确。 接通AC适配器主电源开关。 按 。 关闭AC适配器主电源，几分钟后再将其打开。 通过调节菜单增大“亮度”、“对比度”或“增益”。 用 SIGNAL 切换输入信号。 操作鼠标或键盘。 检查个人计算机的电源是否已打开。 当EcoView Sense传感器值被设定在“级别-1”与“级别-4”之间时，显示器可能已经切换到省电模式。靠近显示器。 使用DisplayPort连接的设备存在问题。解决此问题，关闭显示器，然后重新打开。有关详情，请参照使用DisplayPort连接的设备的手册。 |
| <p>2. 出现下列信息。</p> <ul style="list-style-type: none"> 在没有信号输入时，出现此信息。 例如： <div data-bbox="316 788 625 1131" data-label="Image"> </div> <ul style="list-style-type: none"> 该信息表示输入信号不在指定频率范围之内。 (该信号频率将以紫红色显示。) 例如： <div data-bbox="316 1240 625 1632" data-label="Image"> </div> <p>fD: 点时钟 fH: 水平扫描频率 fV: 垂直扫描频率</p> | <p>即使显示器正常工作，如果不正确输入信号，也出现此信息。</p> <ul style="list-style-type: none"> 可能会出现左边所示的信息、因为某些个人计算机不会在刚开启电源时即输出信号。 检查个人计算机的电源是否已打开。 检查信号线连接是否正确。 用 SIGNAL 切换输入信号。 <hr/> <ul style="list-style-type: none"> 检查PC配置是否符合显示器的分辨率和垂直扫描频率要求 (参阅“兼容的分辨率”)。 重新启动PC。 用显卡工具选择合适的显示模式。参照显卡手册了解详情。 |



EIZO Corporation

153 Shimokashiwano, Hakusan, Ishikawa 924-8566 Japan
Phone: +81 76 277 6792 Fax: +81 76 277 6793

EIZO Europe GmbH

Helmut-Grashoff-Strasse 18, 41179 Mönchengladbach, Germany
Phone: +49 2161 8210210 Fax: +49 2161 8210150

艺卓显像技术(苏州)有限公司

中国苏州市苏州工业园区展业路8号中新科技工业坊5B
Phone: +86 512 6252 0100 Fax: +86 512 6252 1508

<http://www.eizo.com>

Copyright © 2011-2013 EIZO Corporation All rights reserved.

3rd Edition-April, 2013 Printed in Japan.

00N0L708C1
(U.M-SUMFDH3601-4)