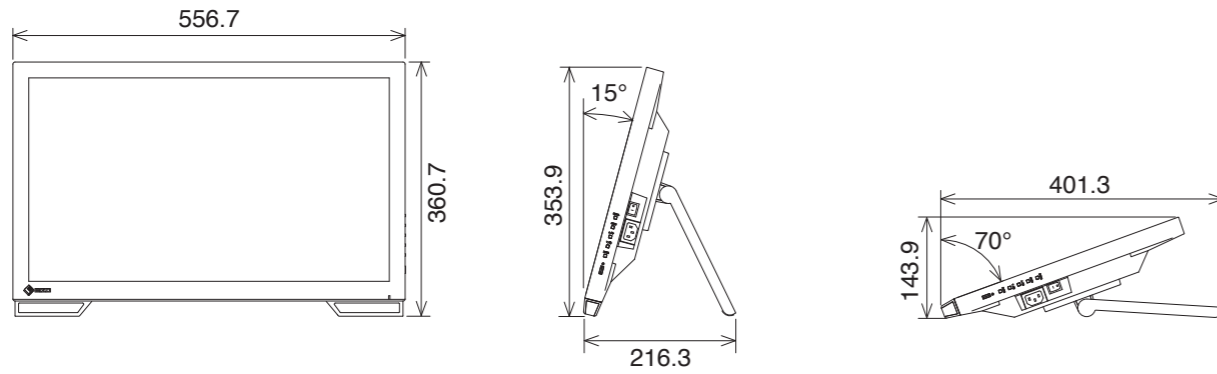
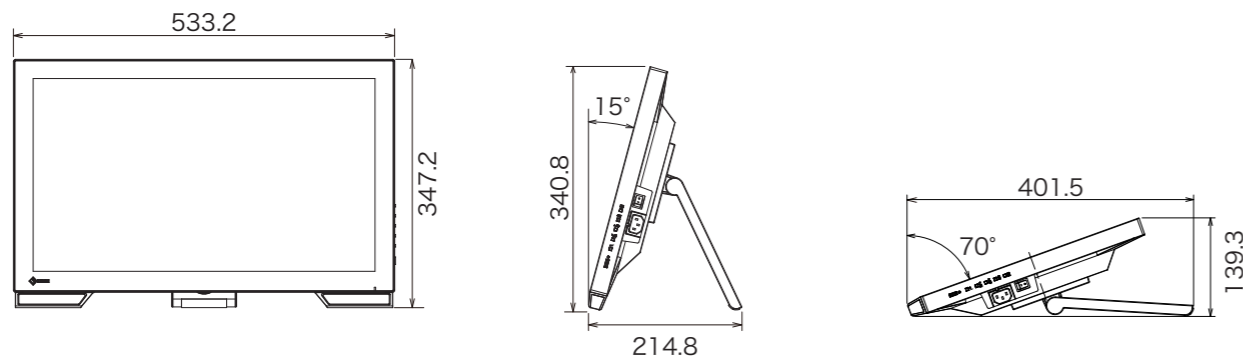


Dimensions (Unit: mm)

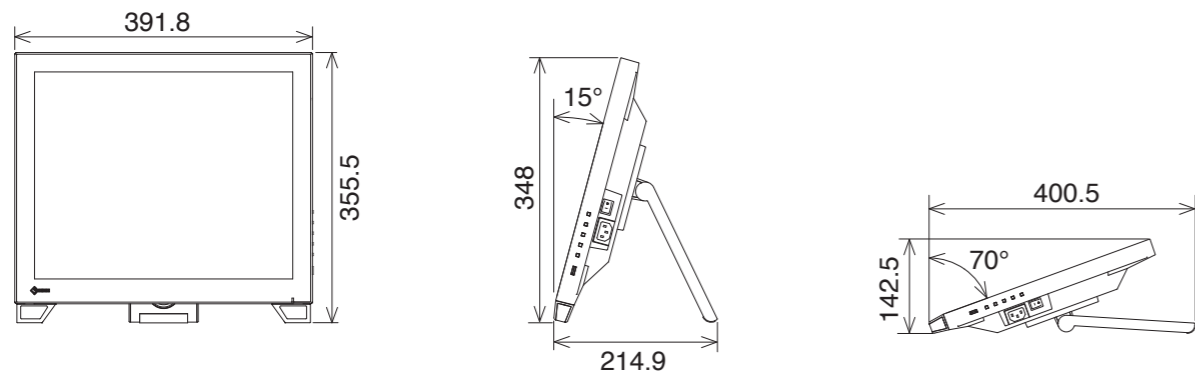
FDF2382WT-A



FDF2182WT



FDS1782T



Touch Panel Monitors  
**DuraVision**

FDF2382WT-A / FDF2182WT / FDS1782T



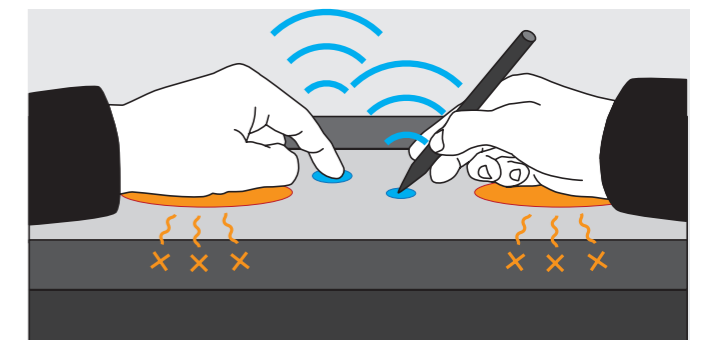
## Seamless Touch Experience with a Highly Durable Screen for Industrial, Medical, and Other Markets

### Intuitive Touch Operation

The monitors feature projected capacitive (PCAP) touch technology that accepts touch input from a bare finger or stylus. High responsiveness to tapping, swiping, and flicking motions makes touch operation intuitive and smooth for use in a range of environments.

### 10-Point Multitouch

The monitors can detect up to 10 simultaneous touches for easily operating a variety of applications in any environment. Furthermore, they are equipped with palm rejection which allows you to rest your hand directly on the screen without causing any unintended input.



Palm rejection minimum activation area is 2 x 2 cm for FDF2382WT-A / FDS1782T and 4 x 4 cm for FDF2182WT.

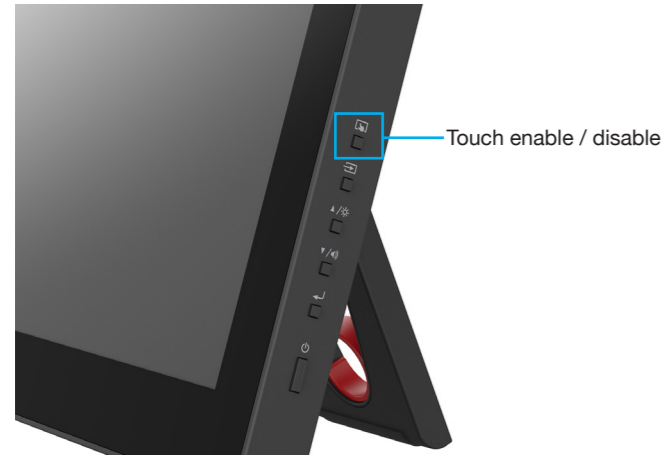
### EIZO Corporation

153 Shimokashiwano, Hakusan, Ishikawa 924-8566 Japan  
Tel +81 76 277 6792  
<https://www.eizoglobal.com>

EIZO, the EIZO logo, and DuraVision are registered trademarks of EIZO Corporation in Japan and other countries. The terms HDMI and HDMI High-Definition Multimedia Interface, and the HDMI Logo are trademarks or registered trademarks of HDMI Licensing, LLC in the United States and other countries. Windows is a registered trademark of Microsoft Corporation in the United States and other countries. All other company names, product names, and logos are trademarks or registered trademarks of their respective owners.

## Touch Detection Control

Users can easily turn touch detection on or off by pushing the button conveniently located on the monitor's side.

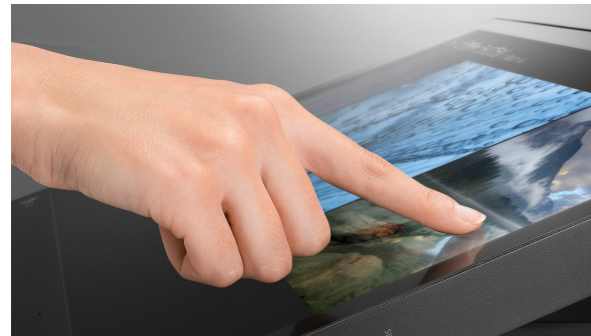


## Sensitivity Calibration

The monitors are equipped with technology which calibrates the touch sensitivity to minimize incorrect touch response due to environmental factors and electromagnetic noise. This ensures that the screen maintains accurate touch interaction during use.

## Fully Flat Design

The fully flat design enables seamless touch operation across the screen. The smooth surface allows for easy cleaning.



## Flicker-Free Viewing

Due to the way brightness is controlled on LED backlights, a small number of people perceive flicker which causes eye fatigue. The monitors relieve eye fatigue by regulating brightness to make flicker unperceivable.

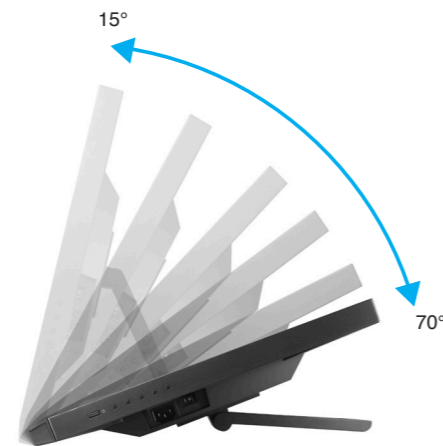


## Durable and Reliable

The touch screens have a non-scratch surface made of reinforced glass, making them durable enough to withstand long-term use in a range of environments. They are backed by a 3-year manufacturer's warranty for long-term reliability.

## Reclining Stand

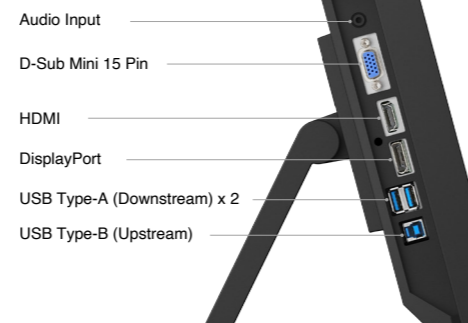
The equipped stand provides flexible positioning to allow the monitor to rest on your desk and recline back to the desired angle. This makes it easy to place the monitor in the ideal position for comfortable use in any environment.



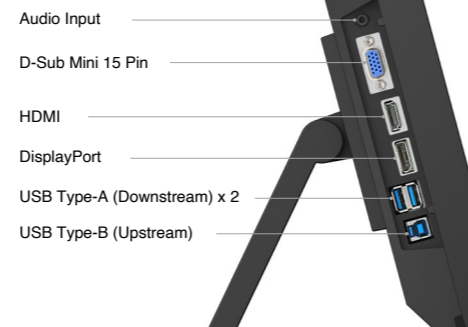
## Complete Connection

The monitors are equipped with a range of connectivity options which are conveniently located on the side for easy access.

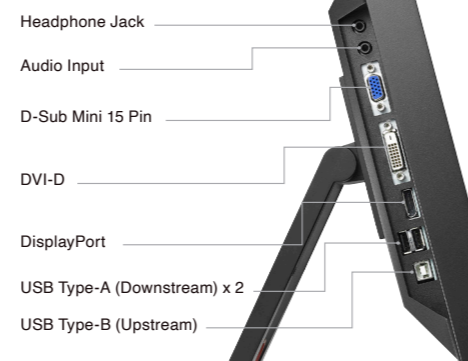
### fdf2382wt-a



### fdf2182wt



### FDS1782T



## Specifications

Model		fdf2382wt-a	fdf2182wt	FDS1782T
Product image				
Model Variations		FDF2382WT-ALBK: with LaidBack stand, black FDF2382WT-ALGY: with LaidBack stand, gray FDF2382WT-AFBK: without stand, black FDF2382WT-AFGY: without stand, gray	FDF2182WT-LBK: with LaidBack stand, black FDF2182WT-LGY: with LaidBack stand, gray FDF2182WT-FBK: without stand, black FDF2182WT-FGY: without stand, gray	FDS1782T-LBK: with LaidBack stand, black FDS1782T-LGY: with LaidBack stand, gray FDS1782T-FBK: without stand, black FDS1782T-FGY: without stand, gray
Panel	Type	IPS	VA	IPS
	Backlight	LED	LED	LED
	Size	23.0" (58.0 cm)	21.5" (54.7 cm)	17.0" (43.0 cm)
	Native Resolution	1920 x 1080 (16:9 aspect ratio)	1920 x 1080 (16:9 aspect ratio)	1280 x 1024 (5:4 aspect ratio)
	Viewable Image Size (H x V)	509.2 x 286.4 mm	476.6 x 268.1 mm	337.9 x 270.3 mm
	Pixel Pitch	0.265 x 0.265 mm	0.248 x 0.248 mm	0.264 x 0.264 mm
	Display Colors	16.77 million	16.77 million	16.77 million
	Viewing Angles (H / V, typical)	178° / 178°	178° / 178°	178° / 178°
	Brightness (typical)	260 cd/m <sup>2</sup>	230 cd/m <sup>2</sup>	270 cd/m <sup>2</sup>
	Contrast Ratio (typical)	1000:1	5000:1	1000:1
Response Time (typical)	11 ms (gray-to-gray)	25 ms (black-white-black)	11 ms (gray-to-gray)	
Touch Panel	Type	Projected Capacitive	Projected Capacitive	Projected Capacitive
	Touch Points	10	10	10
	Surface Treatment	Anti-Glare coating	Anti-Glare coating, Anti-Fingerprint coating	Anti-Glare coating
	Communication Protocol	USB	USB	USB
	Surface Hardness	5 H	7 H	5 H
Compatible OS	Windows 10 / 8.1 (64-bit, 32-bit)	Windows 10 / 8.1 (64-bit, 32-bit)	Windows 10 / 8.1 (64-bit, 32-bit)	
	Input Terminals	DisplayPort (HDCP1.3), HDMI (HDCP1.4), D-Sub mini 15 pin	DisplayPort (HDCP1.3), HDMI (HDCP1.4), D-Sub mini 15 pin	DisplayPort (HDCP1.3), DVI-D (HDCP1.4), D-Sub mini 15 pin
	Digital Scanning Frequency (H / V)	31 - 68 kHz / 59 - 61 Hz	DisplayPort: 31 - 68 kHz / 59 - 61 Hz HDMI: 31 - 68 kHz / 49 - 51 Hz, 59 - 61 Hz	31 - 64 kHz / 59 - 61 Hz
Analog Scanning Frequency (H / V)	31 - 81 kHz / 55 - 76 Hz	31 - 81 kHz / 55 - 76 Hz	31 - 81 kHz / 55 - 76 Hz	
	Sync Formats	Separate	Separate	Separate
USB	Upstream	USB 3.1 Gen 1: Type-B	USB 3.1 Gen 1: Type-B	USB 2.0: Type-B
	Downstream	USB 3.1 Gen 1: Type-A x 2	USB 3.1 Gen 1: Type-A x 2	USB 2.0: Type-A x 2
Audio	Speakers	1.0 W + 1.0 W	1.0 W + 1.0 W	1.0 W + 1.0 W
	Input Terminals	Stereo mini jack, DisplayPort, HDMI	Stereo mini jack, DisplayPort, HDMI	Stereo mini jack, DisplayPort
	Output Terminals	-	-	Headphones (Stereo mini jack)
Power	Power Requirements	AC 100 - 240 V, 50 / 60 Hz	AC 100 - 240 V, 50 / 60 Hz	AC 100 - 240 V, 50 / 60 Hz
	Typical Power Consumption	12 W	10 W	10 W
	Maximum Power Consumption	47 W	42 W	37 W
	Power Save Mode	0.5 W or less	1.2 W or less	0.7 W or less
	Preset Modes	User1, User2, sRGB	User1, User2, sRGB	User1, User2, sRGB
Physical Specifications	Dimensions (Landscape, W x H x D)	556.7 x 143.9 - 353.9 x 216.3 - 401.3 mm	533.2 x 139.3 - 340.8 x 214.8 - 401.5 mm	391.8 x 142.5 - 348 x 214.9 - 400.4 mm
	Dimensions (Without Stand, W x H x D)	556.7 x 339.2 x 54 mm	533.2 x 325.7 x 54 mm	391.8 x 330.6 x 54 mm
	Net Weight	6.6 kg / 14.5 lbs	5.6 kg / 12.3 lbs	4.8 kg / 10.6 lbs
	Net Weight (Without Stand)	6 kg / 13.2 lbs	5.1 kg / 11.2 lbs	4.3 kg / 9.5 lbs
	Tilt	15° - 70°	15° - 70°	15° - 70°
	Hole Spacing (VESA Standard)	100 x 100 mm, M4, screw depth 3.0 - 10.0 mm	100 x 100 mm, M4, screw depth 3.0 - 10.0 mm	100 x 100 mm, M4, screw depth 3.0 - 9.8 mm
	Operating Temperature	5 - 35°C	5 - 40°C	5 - 35°C
Operating Humidity (R.H., non condensing)	20 - 80%	20 - 90%	20 - 80%	
Certifications & Standards (Please contact EIZO for the latest information.)		CB, CE, UKCA, cTUVus, FCC-B, CAN ICES-3 (B), TUV/S, PSE, VCCI-B, CCC, RCM, EAC, RoHS, WEEE, China RoHS	CB, CE, UKCA, cTUVus, FCC-B, CAN ICES-3 (B), TUV/S, PSE, VCCI-B, CCC, RCM, EAC, RoHS, WEEE, China RoHS	CB (IEC60601-1), CB, CE, UKCA, cTUVus, FCC-B, CAN ICES-3 (B), VCCI-B, CCC, RCM, EAC, RoHS, WEEE, China RoHS
Supplied Accessories (May vary by country. Please contact EIZO for details.)	Signal Cables	DisplayPort (2 m), HDMI (2 m)	DisplayPort (2 m), HDMI (2 m)	DisplayPort (2 m), DVI-D (2 m)
	Others	FDF2382WT-AL: AC power cord (2m), USB Type-A - USB Type-B cable (2m), Cleaning cloth, Mask Sheet x 2, Setup guide, Cable clasper  FDF2382WT-AF: AC power cord (2m), USB Type-A - USB Type-B cable (2m), Cleaning cloth, Setup guide, VESA mounting screw (M4 x 12 mm) x 4, Cable clasper	FDF2182WT-L: AC power cord (2 m), USB Type-A - USB Type-B cable (2 m), Cleaning cloth, CD-ROM (PDF user's manual, Touch panel driver), Mask sheet x 2, Setup guide  FDF2182WT-F: AC power cord (2 m), USB Type-A - USB Type-B cable (2 m), Cleaning cloth, CD-ROM (PDF user's manual, Touch panel driver), VESA mounting screw (M4 x 12 mm) x 4, Setup guide	FDS1782T-L: AC power cord (2m), USB Type-A - USB Type-B cable (1.8m), Audio cable (2.1m), Cleaning cloth, CD-ROM (PDF user's manual, Touch panel driver), Mask Sheet x 2, Setup guide  FDS1782T-F: AC power cord (2m), USB Type-A - USB Type-B cable (1.8m), Audio cable (2.1m), Cleaning cloth, CD-ROM (PDF user's manual, Touch panel driver), VESA mounting screw (M4 x 12 mm) x 4, Setup guide
Warranty		3 Years	3 Years (24-hour use)	3 Years